



# ***GE Fanuc Automation***

---

***Computer Numerical Control Products***

***AC Servo Motor  $\beta$ is Series***  
***AC Spindle Motor  $\beta$ i Series***  
***AC Servo Amplifier  $\beta$ i Series***

***Maintenance Manual***

GFZ-65325EN/01

October 2003

## *Warnings, Cautions, and Notes as Used in this Publication*

### **Warning**

Warning notices are used in this publication to emphasize that hazardous voltages, currents, temperatures, or other conditions that could cause personal injury exist in this equipment or may be associated with its use.

In situations where inattention could cause either personal injury or damage to equipment, a Warning notice is used.

### **Caution**

Caution notices are used where equipment might be damaged if care is not taken.

### **Note**

Notes merely call attention to information that is especially significant to understanding and operating the equipment.

This document is based on information available at the time of its publication. While efforts have been made to be accurate, the information contained herein does not purport to cover all details or variations in hardware or software, nor to provide for every possible contingency in connection with installation, operation, or maintenance. Features may be described herein which are not present in all hardware and software systems. GE Fanuc Automation assumes no obligation of notice to holders of this document with respect to changes subsequently made.

GE Fanuc Automation makes no representation or warranty, expressed, implied, or statutory with respect to, and assumes no responsibility for the accuracy, completeness, sufficiency, or usefulness of the information contained herein. No warranties of merchantability or fitness for purpose shall apply.

# SAFETY PRECAUTIONS

---

The "Safety Precautions" section describes the safety precautions relating to the use of FANUC servo motors, spindle motors, and servo amplifiers ( $\beta i$  SVM and  $\beta i$  SVPM). Users of any servo motor or amplifier model are requested to read the "Safety Precautions" carefully before using the motor or amplifier.

The users are also requested to read an applicable specification manual carefully and understand each function of the motor or amplifier for correct use.

The users are basically forbidden to do any behavior or action not mentioned in the "Safety Precautions." They are invited to ask FANUC previously about what behavior or action is prohibited.

## Contents

1.1	DEFINITION OF WARNING, CAUTION, AND NOTE.....	s-2
1.2	FANUC AC SERVO MOTOR $\beta i$ s series	
	FANUC AC SPINDLE MOTOR $\beta i$ series .....	s-3
1.2.1	Warning .....	s-3
1.2.2	Caution .....	s-6
1.2.3	Note .....	s-7
1.3	FANUC SERVO AMPLIFIER $\beta i$ series .....	s-9
1.3.1	Warnings and Cautions Relating to Mounting .....	s-9
1.3.1.1	Warning .....	s-9
1.3.1.2	Caution .....	s-11
1.3.1.3	Note .....	s-13
1.3.2	Warnings and Cautions Relating to a Pilot Run.....	s-14
1.3.2.1	Warning.....	s-14
1.3.2.2	Caution .....	s-15
1.3.3	Warnings and Cautions Relating to Maintenance .....	s-16
1.3.3.1	Warning.....	s-16
1.3.4.2	Caution .....	s-18
1.3.4.3	Note .....	s-19

## 1.1 DEFINITION OF WARNING, CAUTION, AND NOTE

---

This manual includes safety precautions for protecting the user and preventing damage to the machine. Precautions are classified into Warning and Caution according to their bearing on safety. Also, supplementary information is described as a Note. Read the Warning, Caution, and Note thoroughly before attempting to use the machine.

 **WARNING**

Applied when there is a danger of the user being injured or when there is a damage of both the user being injured and the equipment being damaged if the approved procedure is not observed.

 **CAUTION**

Applied when there is a danger of the equipment being damaged, if the approved procedure is not observed.

**NOTE**

The Note is used to indicate supplementary information other than Warning and Caution.

\* Read this manual carefully, and store it in a safe place.

## 1.2 FANUC AC SERVO MOTOR $\beta$ is series FANUC AC SPINDLE MOTOR $\beta$ i series

---

### 1.2.1 Warning

---

#### WARNING

- **Be safely dressed when handling a motor.**  
Wear safety shoes or gloves when handling a motor as you may get hurt on any edge or protrusion on it or electric shocks.
- **Use a crane or lift to move a motor from one place to another.**  
A motor is heavy. If you lift the motor by hand, you may get a backache, or you may be seriously injured when you drop the motor. A suitable crane or lift must be used to move the motor. (For the weight of motors, refer to their respective Descriptions.)  
When moving a motor using a crane or lift, use a hanging bolt if the motor has a corresponding tapped hole, or textile rope if it has no tapped hole.  
If a motor is attached with a machine or any other heavy stuff, do not use a hanging bolt to move the motor as the hanging bolt and/or motor may get broken.
- **Before starting to connect a motor to electric wires, make sure they are isolated from an electric power source.**  
A failure to observe this caution is very dangerous because you may get electric shocks.
- **Be sure to secure power wires.**  
If operation is performed with a terminal loose, the terminal block may become abnormally hot, possibly causing a fire. Also, the terminal may become disconnected, causing a ground fault or short-circuit, and possibly giving you electric shocks. See the section in this manual that gives the tightening torque for attaching power wires and short-bars to the terminal block.
- **Be sure to ground a motor frame.**  
To avoid electric shocks, be sure to connect the grounding terminal in the terminal box to the grounding terminal of the machine.
- **Do not ground a motor power wire terminal or short-circuit it to another power wire terminal.**  
A failure to observe this caution may cause electric shocks or a burned wiring.  
(\* ) Some motors require a special connection such as a winding changeover. Refer to their respective motor Descriptions for details.

 **WARNING**

- **Do not supply the power to the motor while any terminal is exposed.**  
A failure to observe this caution is very dangerous because you may get electric shocks if your body or any conductive stuff touches an exposed terminal.
- **Do not bring any dangerous stuff near a motor.**  
Motors are connected to a power line, and may get hot. If a flammable is placed near a motor, it may be ignited, catch fire, or explode.
- **Do not get close to a rotary section of a motor when it is rotating.**  
You may get your clothes or fingers caught in a rotary section, and may be injured. Before starting a motor, ensure that there is no stuff that can fly away (such as a key) on the motor.
- **Do not touch a motor with a wet hand.**  
A failure to observe this caution is vary dangerous because you may get electric shocks.
- **Before touching a motor, shut off the power to it.**  
Even if a motor is not rotating, there may be a voltage across the terminals of the motor.  
Especially before touching a power supply connection, take sufficient precautions.  
Otherwise you may get electric shocks.
- **Do not touch any terminal of a motor for a while (at least 5 minutes) after the power to the motor is shut off.**  
High voltage remains across power line terminals of a motor for a while after the power to the motor is shut off. So, do not touch any terminal or connect it to any other equipment. Otherwise, you may get electric shocks or the motor and/or equipment may get damaged.
- **To drive a motor, use a specified amplifier and parameters.**  
Driving a motor with other than the specified combinations of an amplifier and parameters may cause the motor to perform an unexpected operation; for example, the motor may get out of control, or produce excessively high torque. This may result in the motor or machine being damaged. Also, an object such as a workpiece or tool may fly off due to excessive rotation, possibly causing injury.

- **Do not touch a regenerative discharge unit for a while (at least 30 minutes) after the power to the motor is shut off.**  
A regenerative discharge unit may get hot when the motor is running.  
Do not touch the regenerative discharge unit before it gets cool enough. Otherwise, you may get burned.
- **When designing and assembling a machine tool, make it compliant with EN60204-1.**  
To ensure the safety of the machine tool and satisfy European standards, when designing and assembling a machine tool, make it compliant with EN60204-1. For details of the machine tool, refer to its specification manual.
- **Do not touch a motor when it is running or immediately after it stops.**  
A motor may get hot when it is running. Do not touch the motor before it gets cool enough. Otherwise, you may get burned.
- **Be careful not get your hair or cloths caught in a fan.**  
Be careful especially for a fan used to generate an inward air flow. Be careful also for a fan even when the motor is stopped, because it continues to rotate while the amplifier is turned on.
- **Ensure that motors and related components are mounted securely.**  
If a motor or its component slips out of place or comes off when the motor is running, it is very dangerous.

## 1.2.2 Caution

---

### CAUTION

- **FANUC motors are designed for use with machines. Do not use them for any other purpose.**  
If a FANUC motor is used for an unintended purpose, it may cause an unexpected symptom or trouble. If you want to use a motor for an unintended purpose, previously consult with FANUC.
- **Ensure that a base or frame on which a motor is mounted is strong enough.**  
Motors are heavy. If a base or frame on which a motor is mounted is not strong enough, it is impossible to achieve the required precision.
- **Be sure to connect motor cables correctly.**  
An incorrect connection of a cable cause abnormal heat generation, equipment malfunction, or failure. Always use a cable with an appropriate current carrying capacity (or thickness). For how to connect cables to motors, refer to their respective Descriptions.
- **Ensure that motors are cooled if they are those that require forcible cooling.**  
If a motor that requires forcible cooling is not cooled normally, it may cause a failure or trouble. For a fan-cooled motor, ensure that it is not clogged or blocked with dust and dirt. For a liquid-cooled motor, ensure that the amount of the liquid is appropriate and that the liquid piping is not clogged.  
For both types, perform regular cleaning and inspection.
- **When attaching a component having inertia, such as a pulley, to a motor, ensure that any imbalance between the motor and component is minimized.**  
If there is a large imbalance, the motor may vibrates abnormally, resulting in the motor being broken.
- **Be sure to attach a key to a motor with a keyed shaft.**  
If a motor with a keyed shaft runs with no key attached, it may impair torque transmission or cause imbalance, resulting in the motor being broken.



## 1.2.3 Note

---

### NOTE

- **Do not step or sit on a motor.**  
If you step or sit on a motor, it may get deformed or broken. Do not put a motor on another unless they are in packages.
- **When storing a motor, put it in a dry (non-condensing) place at room temperature (0 to 40°C).**  
If a motor is stored in a humid or hot place, its components may get damaged or deteriorated. In addition, keep a motor in such a position that its shaft is held horizontal and its terminal box is at the top.
- **Do not remove a nameplate from a motor.**  
If a nameplate comes off, be careful not to lose it. If the nameplate is lost, the motor becomes unidentifiable, resulting in maintenance becoming impossible.  
For a nameplate for a built-in spindle motor, keep the nameplate with the spindle.
- **Do not apply shocks to a motor or cause scratches to it.**  
If a motor is subjected to shocks or is scratched, its components may be adversely affected, resulting in normal operation being impaired. Be very careful when handling plastic portions, sensors, and windings, because they are very liable to break. Especially, avoid lifting a motor by pulling its plastic portion, winding, or power cable.
- **Do not conduct dielectric strength or insulation test for a sensor.**  
Such a test can damage elements in the sensor.
- **When testing the winding or insulation resistance of a motor, satisfy the conditions stipulated in IEC60034.**  
Testing a motor under a condition severer than those specified in IEC60034 may damage the motor.
- **Do not disassemble a motor.**  
Disassembling a motor may cause a failure or trouble in it.  
If disassembly is in need because of maintenance or repair, please contact a service representative of FANUC.
- **Do not modify a motor.**  
Do not modify a motor unless directed by FANUC. Modifying a motor may cause a failure or trouble in it.

**NOTE**

- **Use a motor under an appropriate environmental condition.**  
Using a motor in an adverse environment may cause a failure or trouble in it.  
Refer to their respective Descriptions for details of the operating and environmental conditions for motors.
- **Do not apply a commercial power source voltage directly to a motor.**  
Applying a commercial power source voltage directly to a motor may result in its windings being burned. Be sure to use a specified amplifier for supplying voltage to the motor.
- **For a motor with a terminal box, make a conduit hole for the terminal box in a specified position.**  
When making a conduit hole, be careful not to break or damage unspecified portions.  
Refer to an applicable Descriptions.
- **Before using a motor, measure its winding and insulation resistances, and make sure they are normal.**  
Especially for a motor that has been stored for a prolonged period of time, conduct these checks. A motor may deteriorate depending on the condition under which it is stored or the time during which it is stored. For the winding resistances of motors, refer to their respective Descriptions, or ask FANUC. For insulation resistances, see the following table.
- **To use a motor as long as possible, perform periodic maintenance and inspection for it, and check its winding and insulation resistances.**  
Note that extremely severe inspections (such as dielectric strength tests) of a motor may damage its windings. For the winding resistances of motors, refer to their respective Descriptions, or ask FANUC. For insulation resistances, see the following table.

**MOTOR INSULATION RESISTANCE MEASUREMENT**

Measure an insulation resistance between each winding and motor frame using an insulation resistance meter (500 VDC).  
Judge the measurements according to the following table.

<b>Insulation resistance</b>	<b>Judgment</b>
100M $\Omega$ or higher	Acceptable
10 to 100 M $\Omega$	The winding has begun deteriorating. There is no problem with the performance at present. Be sure to perform periodic inspection.
1 to 10 M $\Omega$	The winding has considerably deteriorated. Special care is in need. Be sure to perform periodic inspection.
Lower than 1 M $\Omega$	Unacceptable. Replace the motor.

## 1.3 FANUC SERVO AMPLIFIER $\beta$ i series

---

### 1.3.1 Warnings and Cautions Relating to Mounting

---

#### 1.3.1.1 Warning

---

##### WARNING

- **Check the specification code of the amplifier.**  
Check that the delivered amplifier is as originally ordered.
- **Mount a ground fault interrupter.**  
To guard against fire and electric shock, fit the factory power supply or machine with a ground fault interrupter (designed for use with an inverter).
- **Securely ground the amplifier.**  
Securely connect the ground terminal and metal frame of the amplifier and motor to a common ground plate of the power magnetics cabinet.
- **Be aware of the weight of the amplifier and other components.**  
Some amplifiers, AC reactors and AC line filters are heavy. When transporting them or mounting them in the cabinet, therefore, be careful not to injure yourself or damage the equipment. Be particularly careful not to jam your fingers between the cabinet and amplifier.
- **Never ground or short-circuit either the power supply lines or power lines.**  
Protect the lines from any stress such as bending. Handle the ends appropriately.
- **Ensure that the power supply lines, power lines, and signal lines are securely connected.**  
A loose screw, loose connection, or the like will cause a motor malfunction or overheating, or a ground fault.  
Be extremely careful with power supply lines, motor power lines, and DC link connections through which a large amount of current passes, because a loose screw (or poor contact in a connector or poor connection between a connector terminal and a cable) may cause a fire.
- **Insulate all exposed parts that are charged.**

**⚠ WARNING**

- **Never touch the regenerative discharge resistor or radiator directly.**  
The surface of the radiator and regenerative discharge unit become extremely hot. Never touch them directly. An appropriate structure should also be considered.
- **Close the amplifier cover after completing the wiring.**  
Leaving the cover open presents a danger of electric shock.
- **Do not disassemble the amplifier.**
- **Ensure that the cables used for the power supply lines and power lines are of the appropriate diameter and temperature ratings.**
- **Do not apply an excessively large force to plastic parts.**  
If a plastic section breaks, it may cause internal damage, thus interfering with normal operation. The edge of a broken section is likely to be sharp and, therefore, presents a risk of injury.

### 1.3.1.2 Caution

---

#### CAUTION

- **Do not step or sit on the amplifier.**  
Also, do not stack unpacked amplifiers on top of each other.
- **Use the amplifier in an appropriate environment.**  
See the allowable ambient temperatures and other requirements, given in the corresponding Descriptions.
- **Protect the amplifier from corrosive or conductive mist or drops of water.**  
Use a filter if necessary.
- **Protect the amplifier from impact.**  
Do not place anything on the amplifier.
- **Do not block the air inlet to the radiator.**  
A deposit of coolant, oil mist, or chips on the air inlet will result in a reduction in the cooling efficiency. In some cases, the required efficiency cannot be achieved. The deposit may also lead to a reduction in the useful life of the semiconductors. Especially, when outside air is drawn in, mount filters on both the air inlet and outlet. These filters must be replaced regularly.  
So, an easy-to-replace type of filter should be used.
- **Connect the power supply lines and power lines to the appropriate terminals and connectors.**
- **Connect the signal lines to the appropriate connectors.**
- **Before connecting the power supply wiring, check the supply voltage.**  
Check that the supply voltage is within the range specified in the Descriptions, then connect the power supply lines.
- **Ensure that the combination of motor and amplifier is appropriate.**
- **Ensure that valid parameters are specified.**  
Specifying an invalid parameter for the combination of motor and amplifier may not only prevent normal operation of the motor but also result in damage to the amplifier.
- **Ensure that the amplifier and peripheral equipment are securely connected.**  
Check that the magnetic contactor, circuit breaker, and other devices mounted outside the amplifier are securely connected to each other and that those devices are securely connected to the amplifier.

**⚠ CAUTION**

- **Check that the amplifier is securely mounted in the power magnetics cabinet.**  
If any clearance is left between the power magnetics cabinet and the surface on which the amplifier is mounted, dust entering the gap may build up and prevent the normal operation of the amplifier.
- **Apply appropriate countermeasures against noise.**  
Adequate countermeasures against noise are required to maintain normal operation of the amplifier. For example, signal lines must be routed away from power supply lines and power lines.
- **Attachment and detachment of connectors**  
When power is on, avoid attaching and detaching connectors unless otherwise noted. Otherwise, the amplifier can become faulty.

### 1.3.1.3 Note

---

#### NOTE

- **Keep the nameplate clearly visible.**
- **Keep the legend on the nameplate clearly visible.**
- **After unpacking the amplifier, carefully check for any damage.**
- **Mount the amplifier in a location where it can be easily accessed periodic inspection and daily maintenance.**
- **Leave sufficient space around the machine to enable maintenance to be performed easily.**  
Do not place any heavy objects such that they would interfere with the opening of the doors.
- **Keep the parameter table and spare parts at hand.**  
Also, keep the Descriptions at hand. These items must be stored in a location where they can be retrieved immediately.
- **Provide adequate shielding.**  
A cable to be shielded must be securely connected to the ground plate, using a cable clamp or the like.

---

## 1.3.2 Warnings and Cautions Relating to a Pilot Run

---

### 1.3.2.1 Warning

---

#### WARNING

- **Before turning on the power, check that the cables connected to the power magnetics cabinet and amplifier, as well as the power lines and power supply lines, are securely connected. Also, check that no lines are slack.**

A loose screw, loose connection, or the like will cause a motor malfunction or overheating, or a ground fault. Be extremely careful with power supply lines, motor power lines, and DC link connections through which a large amount of current passes, because a loose screw (or poor contact in a connector or poor connection between a connector terminal and a cable) may cause a fire.
- **Before turning on the power, ensure that the power magnetics cabinet is securely grounded.**
- **Before turning on the power, check that the door of the power magnetics cabinet and all other doors are closed.**

Ensure that the door of the power magnetics cabinet containing the amplifier, and all other doors, are securely closed. During operation, all doors must be closed and locked.
- **Apply extreme caution if the door of the power magnetics cabinet or another door must be opened.**

Only a person trained in the maintenance of the corresponding machine or equipment should open the door, and only after shutting off the power supply to the power magnetics cabinet (by opening both the input circuit breaker of the power magnetics cabinet and the factory switch used to supply power to the cabinet). If the machine must be operated with the door open to enable adjustment or for some other purpose, the operator must keep his or her hands and tools well away from any dangerous voltages. Such work must be done only by a person trained in the maintenance of the machine or equipment.
- **When operating the machine for the first time, check that the machine operates as instructed.**

To check whether the machine operates as instructed, first specify a small value for the motor, then increase the value gradually. If the motor operates abnormally, perform an emergency stop immediately.



- **After turning on the power, check the operation of the emergency stop circuit.**  
Press the emergency stop button to check that the motor stops immediately, and that the power being supplied to the amplifier is shut off by the magnetic contactor.
- **Before opening a door or protective cover of a machine to enable adjustment of the machine, first place the machine in the emergency stop state and check that the motor has stopped.**

### 1.3.2.2 Caution

---

#### CAUTION

- **Note whether an alarm status relative to the amplifier is displayed at power-up or during operation.**  
If an alarm is displayed, take appropriate action as explained in this manual. If the work to be done requires that the door of the power magnetics cabinet be left open, the work must be carried out by a person trained in the maintenance of the machine or equipment. Note that if some alarms are forcibly reset to enable operation to continue, the amplifier may be damaged. Take appropriate action according to the contents of the alarm.
- **Before operating the motor for the first time, mount and adjust the position and speed sensors.**  
Following the instructions given in this manual, adjust the position and speed sensors for the spindle so that an appropriate waveform is obtained.  
If the sensors are not properly adjusted, the motor may not rotate normally or the spindle may fail to stop as desired.
- **If the motor makes any abnormal noise or vibration while operating, stop it immediately.**  
Note that if operation is continued in spite of there being some abnormal noise or vibration, the amplifier may be damaged. Take appropriate corrective action, then resume operation.
- **Observe the ambient temperature and output rating requirements.**  
The continuous output rating or continuous operation period of some amplifiers may fall as the ambient temperature increases. If the amplifier is used continuously with an excessive load applied, the amplifier may be damaged.
- **Unless otherwise specified, do not insert or remove any connector while the power is turned on. Otherwise, the amplifier may fail.**

## 1.3.3 Warnings and Cautions Relating to Maintenance

---

### 1.3.3.1 Warning

---

#### WARNING

- **Read this manual carefully and ensure that you are totally familiar with its contents.**

This manual describes daily maintenance and the procedures to be followed in the event of an alarm being issued. The operator must be familiar with these descriptions.
  
- **Notes on replacing a fuse or PC board**
  - 1) Before starting the replacement work, ensure that the circuit breaker protecting the power magnetics cabinet is open.
  - 2) Check that the red LED that indicates that charging is in progress is not lit.

The position of the charging LED on each model of amplifier is given in the Descriptions. While the LED is lit, hazardous voltages are present inside the unit, and thus there is a danger of electric shock.
  - 3) Some PC board components become extremely hot. Be careful not to touch these components.
  - 4) Ensure that a fuse having an appropriate rating is used.
  - 5) Check the specification code of a PC board to be replaced. If a modification drawing number is indicated, contact FANUC before replacing the PC board.

Also, before and after replacing a PC board, check its pin settings.
  - 6) After replacing the fuse, ensure that the screws are firmly tightened. For a socket-type fuse, ensure that the fuse is inserted correctly.
  - 7) After replacing the PC board, ensure that it is securely connected.
  - 8) Ensure that all power lines, power supply lines, and connectors are securely connected.
  
- **Take care not to lose any screws.**

When removing the case or PC board, take care not to lose any screws. If a screw is lost inside the nit and the power is turned on, the machine may be damaged.

**⚠ WARNING**

- **Notes on replacing the battery of the absolute Pulsecoder**  
Replace the battery only while the power is on. If the battery is replaced while the power is turned off, the stored absolute positioning data will be lost. Some  $\beta i$  series servo amplifier modules have batteries in their servo amplifiers. To replace the battery of any of those models, observe the following procedure: Open the door of the power magnetics cabinet; Leave the control power on; Place the machine in the emergency stop state so that the power being input to the amplifier is shut off; Then, replace the battery. Replacement work should be done only by a person who is trained in the related maintenance and safety requirements. The power magnetics cabinet in which the servo amplifier is mounted has a high-voltage section. This section presents a severe risk of electric shock.
- **Check the number of any alarm.**  
If the machine stops upon an alarm being issued, check the alarm number. Some alarms indicate that a component must be replaced. If the power is reconnected without first replacing the failed component, another component may be damaged, making it difficult to locate the original cause of the alarm.
- **Before resetting an alarm, ensure that the original cause of the alarm has been removed.**
- **Contact FANUC whenever a question relating to maintenance arises.**
- **Notes on removing the amplifier**  
Before removing the amplifier, first ensure that the power is shut off. Be careful not to jam your fingers between the power magnetics cabinet and amplifier.

### 1.3.3.2 Caution

---

#### CAUTION

- **Ensure that all required components are mounted.**  
When replacing a component or PC board, check that all components, including the snubber capacitor, are correctly mounted. If the snubber capacitor is not mounted, for example, the IPM will be damaged.
- **Tighten all screws firmly.**
- **Check the specification code of the fuse, PC board, and other components.**  
When replacing a fuse or PC board, first check the specification code of the fuse or PC board, then mount it in the correct position. The machine will not operate normally if a fuse or PC board having other than the correct specification code is mounted, or if a fuse or PC board is mounted in the wrong position.
- **Mount the correct cover.**  
The cover on the front of the amplifier carries a label indicating a specification code. When mounting a previously removed front cover, take care to mount it on the unit from which it was removed.
- **Notes on cleaning the heat sink and fan**
  - 1) A dirty heat sink or fan results in reduced semiconductor cooling efficiency, which degrades reliability. Periodic cleaning is necessary.
  - 2) Using compressed air for cleaning scatters the dust. A deposit of conductive dust on the amplifier or peripheral equipment will result in a failure.
  - 3) To clean the heat sink, do so only after turning the power off and ensuring that the heat sink has cooled to room temperature. The heat sink becomes extremely hot, such that touching it during operation or immediately after power-off is likely to cause a burn. Be extremely careful when touching the heat sink.

---

### 1.3.3.3 Note

---

#### NOTE

- **Ensure that the battery connector is correctly inserted.**  
If the power is shut off while the battery connector is not connected correctly, the absolute position data for the machine will be lost.
- **Store the manuals in a safe place.**  
The manuals should be stored in a location where they can be accessed immediately if so required during maintenance work.
- **Notes on contacting FANUC**  
Inform FANUC of the details of an alarm and the specification code of the amplifier so that any components required for maintenance can be quickly secured, and any other necessary action can be taken without delay.

# PREFACE

## Organization of this manual

This manual describes information necessary to maintain FANUC SERVO AMPLIFIER  $\beta i$  series products, such as a  $\beta i$  SVM and  $\beta i$  SVPM and FANUC SERVO MOTOR  $\beta is$  series and FANUC SPINDLE MOTOR  $\beta i$  series products.

Parts I and II explain the start-up procedure and troubleshooting for the  $\beta i$  series SVM.

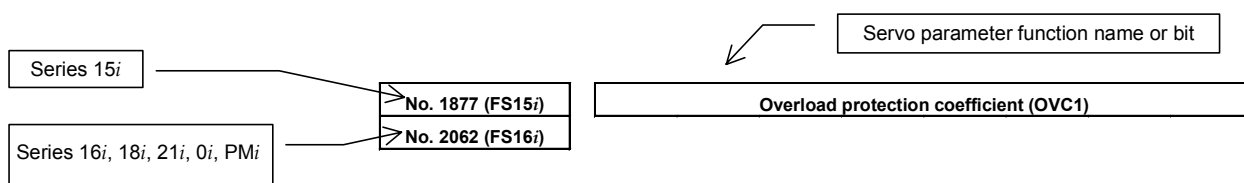
Parts III and IV explain the start-up procedure and troubleshooting for the  $\beta i$  series SVPM.

Part V explains the maintenance for servo motor and spindle motor.

The abbreviations listed below are used in this manual.

Product name	Abbreviations
FANUC Series 15 <i>i</i>	FS15 <i>i</i>
FANUC Series 16 <i>i</i>	FS16 <i>i</i>
FANUC Series 18 <i>i</i>	FS18 <i>i</i>
FANUC Series 21 <i>i</i>	FS21 <i>i</i>
FANUC Series 0 <i>i</i>	FS0 <i>i</i>
FANUC Series 30 <i>i</i>	FS30 <i>i</i>
FANUC Power Mate <i>i</i> -D	PM <i>i</i>
FANUC Power Mate <i>i</i> -H	
FANUC SERVO AMPLIFIER $\beta i$ series SVM	$\beta i$ SVM
FANUC SERVO AMPLIFIER $\beta i$ series SVPM	$\beta i$ SVPM

\* In this manual, the parameter numbers of servo parameters are sometimes indicated without CNC product names as follows:



\* The manuals shown below provide information related to this manual. This manual may refer you to these manuals.

- FANUC SERVO AMPLIFIER  $\beta i$  series Descriptions B-65322EN
- FANUC AC SERVO MOTOR  $\beta is$  series Descriptions B-65302EN
- FANUC AC SPINDLE MOTOR  $\beta i$  series Descriptions B-65312EN
- FANUC AC SERVO MOTOR  $\alpha is/\alpha i/\beta is$  series Parameter Manual B-65270EN
- FANUC AC SPINDLE MOTOR  $\alpha i/\beta i$  series Parameter Manual B-65280EN





# TABLE OF CONTENTS

---

<b>SAFETY PRECAUTIONS</b> .....	<b>s-1</b>
<b>PREFACE</b> .....	<b>p-1</b>
<b>I. START-UP PROCEDURE FOR <math>\beta i</math> SVM</b>	
<b>1 OVERVIEW</b> .....	<b>3</b>
<b>2 CONFIGURATIONS</b> .....	<b>4</b>
2.1 CONFIGURATIONS .....	5
2.2 MAJOR COMPONENTS.....	7
2.2.1 Servo Amplifier Modules .....	7
<b>3 START-UP PROCEDURE</b> .....	<b>8</b>
3.1 START-UP PROCEDURE (OVERVIEW) .....	9
3.2 CONNECTING THE POWER.....	10
3.2.1 Checking the Voltage and Capacity of the Power.....	10
3.2.2 Connecting a Protective Ground.....	10
3.2.3 Selecting the Ground Fault Interrupter That Matches the Leakage Current .....	10
3.3 INITIALIZING PARAMETERS (SWITCHES AND DUMMY CONNECTORS).....	11
3.4 INITIALIZING SETTINGS .....	12
<b>4 CONFIRMATION OF THE OPERATION</b> .....	<b>13</b>
4.1 SERVO AMPLIFIER MODULE .....	14
4.1.1 Check Procedure.....	14
4.1.2 VRDY-OFF Alarm Indicated on the CNC Screen .....	16
4.1.3 Method for Observing Motor Current .....	17
<b>5 PERIODIC MAINTENANCE OF SERVO AMPLIFIER</b> .....	<b>20</b>
5.1 BATTERY FOR THE ABSOLUTE PULSECODER.....	21
5.2 PERIODIC MAINTENANCE OF SERVO AMPLIFIER.....	29
<b>II. TROUBLESHOOTING FOR <math>\beta i</math> SVM</b>	
<b>1 OVERVIEW</b> .....	<b>33</b>
<b>2 ALARM NUMBERS AND BRIEF DESCRIPTIONS</b> .....	<b>34</b>
2.1 FOR Series 15i .....	35
2.1.1 Servo Alarm.....	35

2.2	FOR Series 16 <i>i</i> , 18 <i>i</i> , 20 <i>i</i> , 21 <i>i</i> , 0 <i>i</i> , AND Power Mate <i>i</i> .....	36
2.2.1	Servo Alarm.....	36
<b>3</b>	<b>TROUBLESHOOTING AND ACTION .....</b>	<b>37</b>
3.1	SERVO AMPLIFIER MODULE .....	38
3.1.1	Converter: DC Link Undervoltage .....	39
3.1.2	Converter: DC Link Overvoltage .....	39
3.1.3	Converter: Excessive Deceleration Power .....	39
3.1.4	Converter: Control Power Supply Undervoltage.....	40
3.1.5	Inverter: Internal Cooling Fan Stopped.....	40
3.1.6	Inverter: Cooling Fan Stopped of the Radiator .....	41
3.1.7	Inverter: IPM Alarm .....	41
3.1.8	Inverter: IPM Alarm (OH).....	42
3.1.9	Inverter: Motor Current Alarm.....	43
3.1.10	Inverter: FSSB Communication Error.....	44
3.2	SERVO SOFTWARE .....	45
3.2.1	Servo Adjustment Screen .....	45
3.2.2	Diagnosis Screen .....	47
3.2.3	Overload Alarm (Soft Thermal, OVC).....	48
3.2.4	Feedback Disconnected Alarm.....	49
3.2.5	Overheat Alarm .....	50
3.2.6	Invalid Servo Parameter Setting Alarm.....	50
3.2.7	Alarms Related to Pulsecoder and Separate Serial Detector.....	51
3.2.8	Other Alarms .....	54
<b>4</b>	<b>HOW TO REPLACE THE FUSES AND PRINTED CIRCUIT BOARDS .....</b>	<b>56</b>
4.1	HOW TO REPLACE THE FUSES AND PRINTED CIRCUIT BOARDS .....	57
4.1.1	Ordering Number of Printed Circuit Board.....	59
4.1.2	Fuse Locations.....	59
4.2	HOW TO REPLACE THE FAN MOTOR.....	60
4.2.1	Internal-Fan Motor Replacement Procedure for SVM1-4 <i>i</i> and SVM1-20 <i>i</i> .....	60
4.2.2	Internal-Fan Motor Replacement Procedure for SVM1-40 <i>i</i> and SVM1-80 <i>i</i> .....	61
4.2.3	External-Fan Motor .....	62
 <b>III. START-UP PROCEDURE FOR <math>\beta</math><i>i</i> SVPM</b>		
<b>1</b>	<b>OVERVIEW .....</b>	<b>65</b>
<b>2</b>	<b>CONFIGURATIONS .....</b>	<b>66</b>

2.1	CONFIGURATIONS .....	67
2.2	MAJOR COMPONENTS.....	69
2.2.1	βi SVPM.....	69
<b>3</b>	<b>START-UP PROCEDURE .....</b>	<b>70</b>
3.1	START-UP PROCEDURE (OVERVIEW) .....	71
3.2	CONNECTING THE POWER.....	72
3.2.1	Checking the Voltage and Capacity of the Power.....	72
3.2.2	Connecting a Protective Ground.....	72
3.2.3	Selecting the Ground Fault Interrupter That Matches the Leakage Current .....	72
3.3	INITIALIZING PARAMETERS .....	73
<b>4</b>	<b>CONFIRMATION OF THE OPERATION .....</b>	<b>74</b>
4.1	OUTLINE OF SVPM .....	75
4.1.1	Connector and STATUS LED Locations .....	75
4.1.2	Start-up Procedure .....	76
4.2	SVPM CONVERTER UNIT .....	77
4.2.1	Check Terminal on the Printed-circuit Board .....	77
4.2.2	The LED (STATUS Indicator) Is Off.....	79
4.2.3	Checking Method when Magnetic Contactor Is not Switched On .....	80
4.3	SVPM SPINDLE UNIT .....	81
4.3.1	STATUS 1 Indicator.....	81
4.3.2	Troubleshooting at Startup .....	82
4.3.2.1	The STATUS 1 indicator is blinking with "--".....	82
4.3.2.2	The motor does not turn .....	82
4.3.2.3	A specified speed cannot be obtained. ....	83
4.3.2.4	When cutting is not performed, the spindle vibrates, making noise .....	83
4.3.2.5	An overshoot or hunting occurs. ....	83
4.3.2.6	Cutting power weakens or acceleration/deceleration slows down.....	84
4.3.3	Status Error Indication Function .....	85
4.3.4	Checking the Feedback Signal Waveform .....	87
4.3.4.1	Mi and MZi sensors.....	88
4.3.5	Spindle Check Board.....	89
4.3.5.1	Spindle check board specifications .....	89
4.3.5.2	Spindle check board connection.....	89
4.3.5.3	Check terminal output signals .....	90
4.3.6	Observing Data Using the Spindle Check Board .....	92
4.3.6.1	Overview .....	92
4.3.6.2	Major characteristics .....	92
4.3.6.3	Observation method .....	92
4.3.6.4	Specifying data to be monitored.....	93

4.3.6.5	Address descriptions and initial values (SVPM).....	94
4.3.6.6	Principles in outputting the internal data of the serial spindle.....	95
4.3.6.7	Data numbers .....	99
4.3.6.8	Example of observing data.....	101
4.3.7	Checking Parameters Using the Spindle Check Board.....	102
4.3.7.1	Overview.....	102
4.3.7.2	Checking parameters.....	102
4.3.8	Observing Data Using the SERVO GUIDE .....	103
4.3.8.1	Overview.....	103
4.3.8.2	Usable series and editions .....	103
4.3.8.3	List of spindle data that can be observed using the SERVO GUIDE.....	103
4.3.8.4	About the spindle control and spindle status signals .....	104
4.3.8.5	Example of observing data .....	105
4.4	SVPM SERVO UNIT.....	106
4.4.1	Checking the STATUS 2 Indicator .....	106
4.4.2	VRDY-OFF Alarm Indicated on the CNC Screen .....	107
4.4.3	Method for Observing Motor Current .....	108
<b>5</b>	<b>PERIODIC MAINTENANCE OF SVPM .....</b>	<b>111</b>
5.1	BATTERY FOR THE ABSOLUTE PULSECODER.....	112
5.2	PERIODIC MAINTENANCE OF SVPM .....	119
 <b>IV. TROUBLESHOOTING FOR <math>\beta</math>i SVPM</b>		
<b>1</b>	<b>OVERVIEW .....</b>	<b>123</b>
<b>2</b>	<b>ALARM NUMBERS AND BRIEF DESCRIPTIONS .....</b>	<b>124</b>
2.1	SERVO ALARM.....	125
2.2	SPINDLE ALARM .....	126
<b>3</b>	<b>TROUBLESHOOTING AND ACTION .....</b>	<b>128</b>
3.1	COMMON TO SERVO AND SPINDLE UNITS .....	129
3.1.1	STATUS2 Alarm Code - STATUS1 Alarm Code 30 .....	129
3.1.2	STATUS2 Alarm Code - STATUS1 Alarm Code 59 .....	129
3.1.3	STATUS2 Alarm Code - STATUS1 Alarm Code 58 .....	129
3.1.4	STATUS2 Alarm Code - STATUS1 Alarm Code 51 .....	130
3.1.5	STATUS2 Alarm Code - STATUS1 Alarm Code 33 .....	130
3.1.6	STATUS2 Alarm Code - STATUS1 Alarm Code b1 .....	130
3.1.7	STATUS2 Alarm Code - STATUS1 Alarm Code 11 .....	131
3.1.8	STATUS2 Alarm Code - STATUS1 Alarm Code 04 .....	131
3.2	SERVO UNIT .....	132
3.2.1	STATUS2 Alarm Code 2 .....	133

3.2.2	STATUS2 Alarm Code 5 .....	133
3.2.3	STATUS2 Alarm Code 6 .....	133
3.2.4	STATUS2 Alarm Code P .....	133
3.2.5	STATUS2 Alarm Codes 8, 9., and A .....	134
3.2.6	STATUS2 Alarm Codes 8, 9., and A .....	134
3.2.7	STATUS2 Alarm Codes b, c, and d .....	135
3.2.8	STATUS2 Alarm Code U.....	136
<b>3.3</b>	<b>SERVO SOFTWARE .....</b>	<b>137</b>
3.3.1	Servo Adjustment Screen .....	137
3.3.2	Diagnosis Screen .....	138
3.3.3	Overload Alarm (Soft Thermal, OVC).....	139
3.3.4	Feedback Disconnected Alarm.....	140
3.3.5	Overheat Alarm .....	141
3.3.6	Invalid Servo Parameter Setting Alarm.....	141
3.3.7	Alarms Related to Pulsecoder and Separate Serial Detector.....	142
3.3.8	Other Alarms .....	145
<b>3.4</b>	<b>SPINDLE UNIT .....</b>	<b>147</b>
3.4.1	Alarm Code 01.....	147
3.4.2	Alarm Code 02.....	148
3.4.3	Alarm Code 06.....	149
3.4.4	Alarm Code 07.....	149
3.4.5	Alarm Code 09.....	150
3.4.6	Alarm Code 12.....	151
3.4.7	Alarm Code 15.....	152
3.4.8	Alarm Code 18.....	152
3.4.9	Alarm Codes 19 and 20 .....	152
3.4.10	Alarm Code 21.....	152
3.4.11	Alarm Code 24.....	153
3.4.12	Alarm Code 27.....	154
3.4.13	Alarm Code 29.....	155
3.4.14	Alarm Code 31.....	156
3.4.15	Alarm Code 32.....	156
3.4.16	Alarm Code 34.....	156
3.4.17	Alarm Code 36.....	157
3.4.18	Alarm Code 37.....	157
3.4.19	Alarm Code 41.....	158
3.4.20	Alarm Code 42.....	158

3.4.21	Alarm Code 46.....	158
3.4.22	Alarm Code 47.....	159
3.4.23	Alarm Code 50.....	159
3.4.24	Alarm Codes 52 and 53 .....	160
3.4.25	Alarm Code 54.....	160
3.4.26	Alarm Code 73.....	160
3.4.27	Alarm Code 75.....	161
3.4.28	Alarm Code 79.....	161
3.4.29	Alarm Code 81.....	162
3.4.30	Alarm Code 82.....	163
3.4.31	Alarm Code 83.....	163
3.4.32	Alarm Code 84.....	164
3.4.33	Alarm Code 85.....	164
3.4.34	Alarm Code 86.....	164
3.4.35	Alarm Code 87.....	164
3.4.36	Alarm Codes A, A1, and A2.....	164
3.4.37	Alarm Codes C0,C1, and C2 .....	164
3.4.38	Alarm Code 35.....	165

**4 HOW TO REPLACE THE FUSES AND PRINTED CIRCUIT BOARDS ..... 166**

4.1	HOW TO REPLACE THE FUSES AND PRINTED CIRCUIT BOARDS ....	167
-----	--	-----

**V. MOTOR MAINTENANCE**

**1 SERVO MOTOR MAINTENANCE..... 171**

1.1	RECEIVING AND KEEPING AC SERVO MOTORS .....	172
1.2	DAILY INSPECTION OF AC SERVO MOTORS .....	173
1.3	PERIODIC INSPECTION OF AC SERVO MOTORS .....	175
1.4	REPLACING THE PULSECODER .....	178
1.5	SPECIFICATION NUMBERS OF REPLACEMENT PARTS.....	180

**2 SPINDLE MOTOR MAINTENANCE..... 181**

2.1	PREVENTIVE MAINTENANCE .....	182
2.2	MAINTENANCE PARTS.....	184
2.3	ALLOWABLE RADIAL LOAD .....	185

# **I. START-UP PROCEDURE FOR $\beta_i$ SVM**





# 1

## OVERVIEW

---

This part describes the units and components of the FANUC servo amplifier  $\beta i$  series. It also explains the following information necessary to start up the servo amplifier:

- Configurations
- Start-up procedure
- Confirmation of the operation
- Periodic maintenance of servo amplifier

# 2

## CONFIGURATIONS

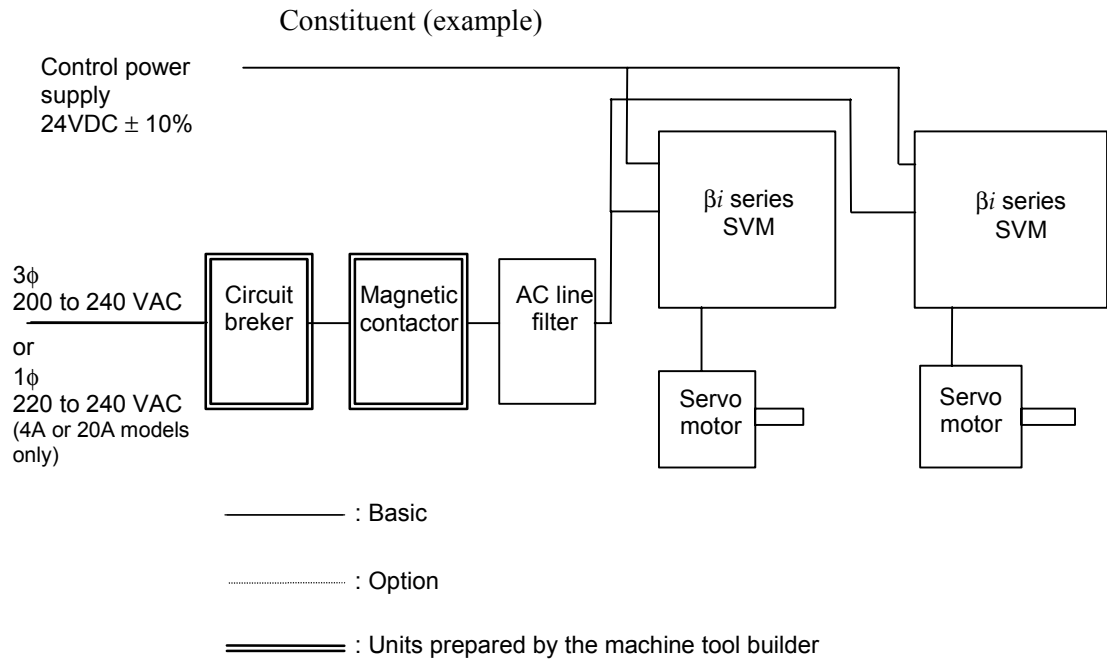
---

## 2.1 CONFIGURATIONS

---

The FANUC servo amplifier  $\beta i$  series servo amplifier module SVM consists of the units and components listed below:

- |  |          |
|--|----------|
| (1) Servo amplifier module (SVM)       | (basic)  |
| (2) AC line filter                     | (basic)  |
| (3) Connectors (for connecting cables) | (basic)  |
| (4) Fuses                              | (option) |
| (5) Power transformer                  | (option) |



**NOTE**

- 1 A circuit breakers , magnetic contactor, and AC line filter are always required.
- 2 To protect the unit from surge currents caused by lightning, connect surge absorbers between lines, and between the lines and ground, at the power inlet of the power magnetics cabinet.
- 3 The AC line filter is different from the AC reactor, which is designed for another purpose. Substituting one for the other or using one as both the filter and reactor is not allowed.

## 2.2 MAJOR COMPONENTS

---

### 2.2.1 Servo Amplifier Modules

---

#### (1) Servo amplifier module (SVM1)

Model	Order specification	Unit specification	Wiring board specification	Printed circuit board specification
SVM1-4 <i>i</i>	A06B-6130-H001	A06B-6130-C001	A20B-2101-0090	A20B-2101-0050
SVM1-20 <i>i</i>	A06B-6130-H002	A06B-6130-C002	A20B-2101-0091	
SVM1-40 <i>i</i>	A06B-6130-H003	A06B-6130-C003	A16B-3200-0512	A20B-2101-0051
SVM1-80 <i>i</i>	A06B-6130-H004	A06B-6130-C004	A16B-3200-0513	

# 3

## START-UP PROCEDURE

---

## 3.1 START-UP PROCEDURE (OVERVIEW)

---

Make sure that the specifications of the CNC, servo motors, servo amplifiers, and other units you received are exactly what you ordered, and these units are connected correctly. Then, turn on the power.

- (1) Before turning on the circuit breaker, check the power supply voltage connected.  
→ See Section 3.2.
- (2) Before the system can be used, some switches and dummy connectors require setting. So, check the necessary settings.  
→ See Section 3.3.
- (3) Turn on the power, and set initial parameters on the CNC.  
→ See Section 3.4.  
For the initialization of servo parameters, refer to the following manual:  
FANUC AC SERVO MOTOR  $\alpha is/\alpha i/\beta is$  series Parameter Manual (B-65270EN)
- (4) For start-up adjustment and troubleshooting, see Chapter 4.

## 3.2 CONNECTING THE POWER

### 3.2.1 Checking the Voltage and Capacity of the Power

Before connecting the power, you should measure the AC power voltage.

Table 3.2.1(a) Action for the AC power (200-V input type)

Permissible voltage fluctuation width	Nominal voltage	Action
-15% +10%	3-phase 200 to 240VAC	<b>SVM1-4i, SVM1-20i</b> <b>SVM1-40i, SVM1-80i</b> Permitted. Note) If the voltage is below the rated value, the rated output may not be obtained.
-15% +10%	1-phase 220 to 240VAC	<b>SVM1-4i, SVM1-20i</b> Single-phase input is permitted when the power supply is 380 to 415 VAC to neutral grounding.
Other than the above		<b>SVM1-4i, SVM1-20i</b> <b>SVM1-40i, SVM1-80i</b> Not permitted. Use an insulating transformer to adjust the input voltage.

Table 3.2.1 (b) list the input power specification. Use a power source with sufficient capacity so that the system will not malfunction due to a voltage drop even at a time of peak load.

Table 3.2.1 (b) AC power voltage specifications (200-V input type)

Model	SVM1-4i	SVM1-20i	SVM1-40i	SVM1-80i
Nominal voltage rating	200 to 240VAC -15%, +10%			
Power source frequency	50/60Hz $\pm$ 1Hz			
Power source capacity (for the main circuit) [kVA]	0.2	1.9	3.9	6.2
Power source capacity (for the control circuit) [kVA]	22			

### 3.2.2 Connecting a Protective Ground

Check that the protective ground line is connected correctly.

### 3.2.3 Selecting the Ground Fault Interrupter That Matches the Leakage Current

Check that a correct ground fault interrupter is selected.



## 3.3 INITIALIZING PARAMETERS (SWITCHES AND DUMMY CONNECTORS)

---

### **SVM1-4i, SVM1-20i**

- When no regenerative resistor is used  
Connect connector CXA20 by using a dummy connector.  
See FANUC SERVO AMPLIFIER  $\beta i$  series DESCRIPTIONS B-65322EN.

### **SVM1-40i, SVM1-80i**

- Switch (SW) setting  
The regenerative resistor alarm level is set. The setting condition varies depending on the regenerative resistor used (the built-in regenerative resistor or separate regenerative resistor). Perform the setting properly.



#### **WARNING**

Incorrect setting can damage the regenerative resistor.

See FANUC SERVO AMPLIFIER  $\beta i$  series DESCRIPTIONS B-65322EN.

- When the built-in regenerative resistor is used  
Connect connector CXA20 by using a dummy connector.  
Connect connector CZ6 by using a dummy connector.  
See FANUC SERVO AMPLIFIER  $\beta i$  series DESCRIPTIONS B-65322EN.

## 3.4 INITIALIZING SETTINGS

---

- (1) Servo amplifier module  
For the initialization of servo parameters, refer to the following manual:  
FANUC AC SERVO MOTOR  $\alpha is/\alpha i/\beta is$  series Parameter Manual (B-65270EN)

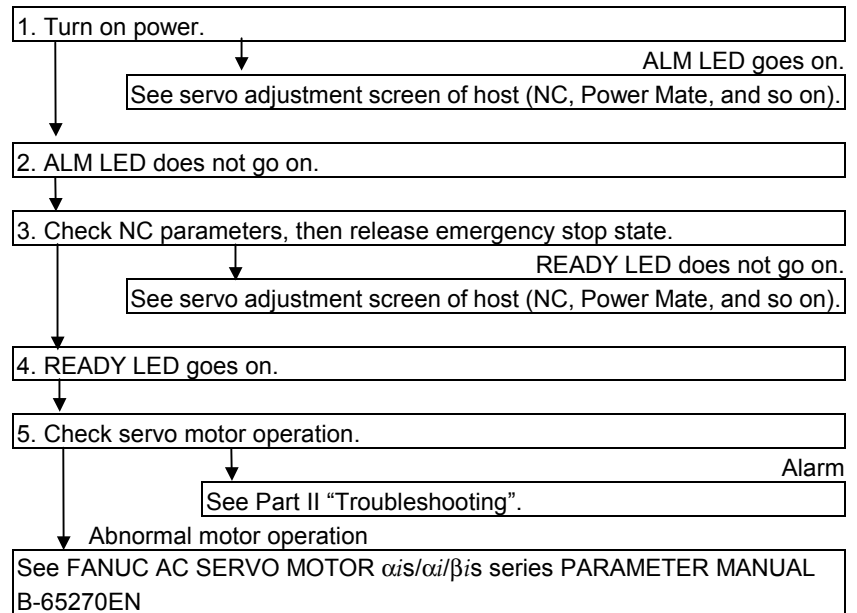
# 4

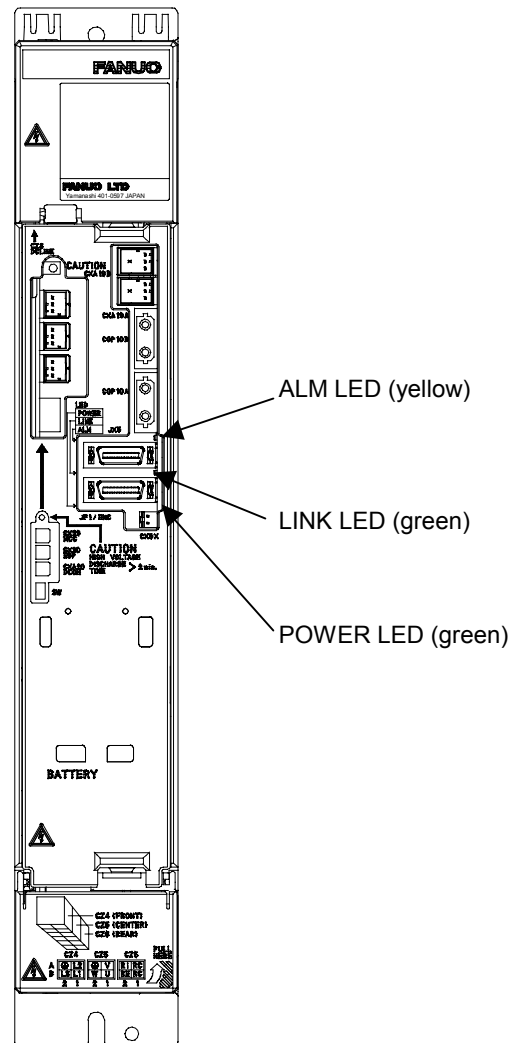
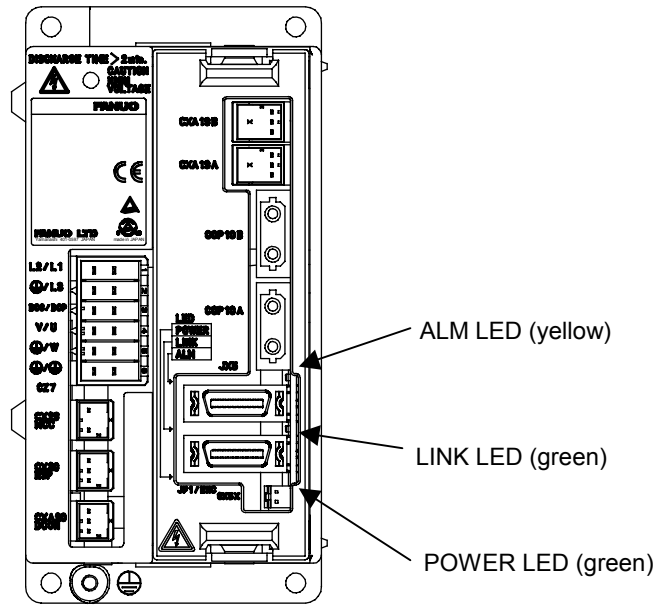
## CONFIRMATION OF THE OPERATION

---

## 4.1 SERVO AMPLIFIER MODULE

### 4.1.1 Check Procedure





## 4.1.2 VRDY-OFF Alarm Indicated on the CNC Screen

When the VRDY-OFF alarm is indicated on the CNC, check the items listed below. In addition, VRDY-OFF can occur also for reasons other than listed below. If the following items turn out to have not caused VRDY-OFF, check diagnosis information No. 358 (V ready-off information) on the diagnosis screen and report it to FANUC.

- (1) Emergency stop signal (ESP)  
Has the emergency stop signal (connector: CX30) applied to the SVM been released? Alternatively, is the signal connected correctly?
- (2) MCON signal  
Hasn't setting up the axis detach function disabled the transmission of the ready command signal MCON from the CNC to the SVM?
- (3) SVM control printed-circuit board  
The SVM control printed-circuit board may be poorly installed or faulty. Be sure to push the faceplate as far as it will go. If the problem persists, replace the control printed-circuit board.

On the Series 16i/18i/21i/0i/PMi, checking diagnosis information (DGN) No. 358 makes it possible to analyze the cause of the VRDY-OFF alarm.

(Supported servo software: Series 90B0/D(04) and subsequent editions)

Diagnosis **358**

### V ready-off information

Convert the displayed value to binary form, and check bits 5 to 14 of the resulting binary number.

When the servo amplifier starts working, these bits become 1 sequentially, starting at bit 5. When the servo amplifier has started normally, all of bits 5 to 14 become 1.

Check bits 5 to 14 sequentially, starting at the lowest-order bit. The first lowest bit that is not 0 corresponds to the processing that caused the V ready-off alarm.

#15	#14	#13	#12	#11	#10	#9	#8
	SRDY	DRDY	INTL	RLY	CRDY	MCOFF	MCONA
#7	#6	#5	#4	#3	#2	#1	#0
MCONS	*ESP	HRDY					

- #06(\*ESP) : Emergency stop signal
- #07,#08,#09 : MCON signal (CNC → amplifier → converter)
- #10(CRDY) : Converter preparation completed signal
- #11(RLY) : Relay signal (DB relay energized)
- #12(INTL) : Interlock signal (DB relay de-energized)
- #13(DRDY) : Amplifier preparation completed signal

## 4.1.3 Method for Observing Motor Current

This subsection explains how to observe the current that flows through the servo motor.

### Method of using the SERVO GUIDE

Refer to online help for explanations about how to connect to and use the servo adjustment tool, SERVO GUIDE.

#### - Supported CNC systems

Series 16i/18i/21i/0i -MODEL B

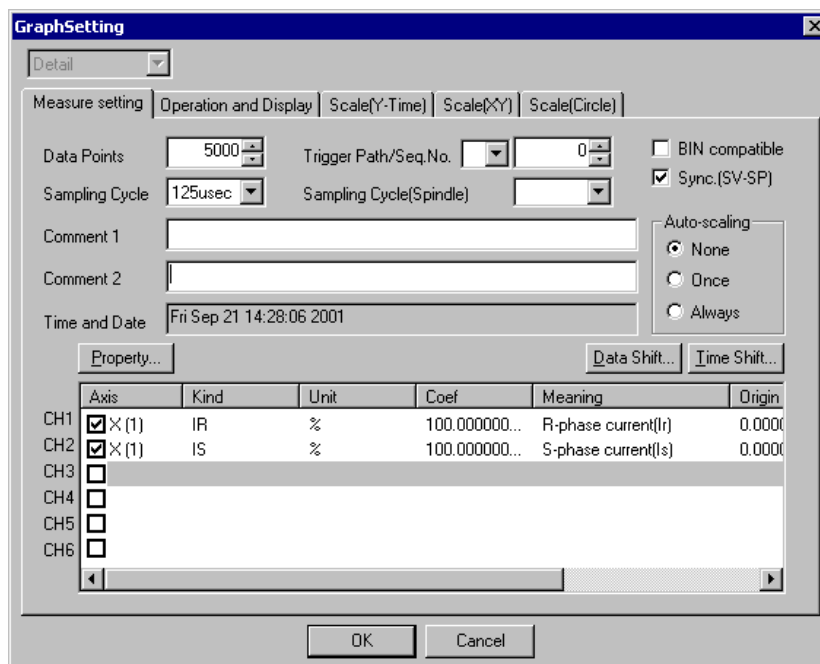
Servo software supporting the  $\alpha i$  series:

Series 90B0/L(12) and subsequent editions

Series 9096/C(03) and subsequent editions

#### - Setting

Select an axis to be subjected to measurement in graph window channel setting. Also select IR and IS under Kind. Under Coef (conversion coefficient), set the maximum allowable current (Ap) for the amplifier in use.



#### NOTE

- 1 In servo software series 90B0, the minimum motor current sampling cycle depends on the current control cycle.
- 2 Servo software series 9096 supports setting of a motor current sampling period of 1 ms only.

**- Display**

Select the XTYT mode from the graph window mode (M) menu to display waveforms.

**Method of using the servo check board**

For details on how to connect and use the servo check board, refer to the following manual:

FANUC AC SERVO MOTOR  $\alpha$ s/ $\alpha$ i/ $\beta$ is series Parameter Manual (B-65270EN)

**- Required units**

- Servo check board  
A06B-6057-H630
- Oscilloscope

**- Settings**

**· CNC setting**

Parameter setting for servo software series 90B0

Output channel	Data number <b>5</b>		Data number <b>6</b>	
	FS15i	No.1726	No.1774	No.1775
FS16i/18i/21i/0i/PMi	No.2115	No.2151	No.2152	No.2153
<b>Measurement axis/ current phase</b>	IR		IS	
L-axis <sup>(Note 1)</sup>	370	0	402	0
M-axis <sup>(Note 1)</sup>	2418	0	2450	0

Parameter setting for servo software series 9096

Output channel	Data number <b>5</b>	Data number <b>6</b>
	FS16i/18i/21i/0i/PMi	No.2115
<b>Measurement axis/ current phase</b>	IR	IS
L-axis <sup>(Note 1)</sup>	370	402
M-axis <sup>(Note 1)</sup>	1010	1042

When series 9096 is used, if no axis is paired with the measurement axis <sup>(Note 2)</sup>, IR and IS cannot be observed simultaneously.

**NOTE**

- 1 The L-axis is an axis identified with an odd number set in parameter No. 1023. The M-axis is an axis identified with an even number set in parameter No. 1023.
- 2 The axis specified as 2n-1 in parameter No. 1023 and the axis specified as 2n will be in a pair.



Setting the output period of motor current data (for the 90B0 series only)

Output period	Parameter No. 1746 / Bit 7 of parameter No. 2206
Velocity loop period	0 (default)
Current loop period	1 <sup>(Note 3)</sup>

#### NOTE

- 3 If the current loop period is set up as the motor current data output period, selecting data number  $\boxed{0}$ ,  $\boxed{1}$ ,  $\boxed{2}$ , or  $\boxed{4}$  disables the output of signals (such as a velocity command) to channels. To observe the motor current and other signals (such as a velocity command), specify the output period as 1 ms.
- 4 For the servo software series 9096, the output period of the motor current is only 1 msec. The current loop period cannot be used for output.

#### - Setting up the check board

- Set the AXIS digit of the LED display with an axis number from  $\boxed{1}$  to  $\boxed{8}$  specified in parameter No. 1023.
- Set the DATA digit of the LED display with a data number from  $\boxed{5}$  to  $\boxed{6}$ .

#### - Method for observing the motor current

The voltage corresponding to the motor current is output to a channel for which  $\boxed{5}$  or  $\boxed{6}$  is set as the data number on the servo check board.

The waveform of the motor current can be observed by measuring the voltage mentioned above with an oscilloscope.

The following table lists the relationships between the observed voltage and the motor current.

Maximum amplifier current	SVM type	Motor current/ observed voltage [A/V]
4A	SVM1-4 <i>i</i>	1
20A	SVM1-20 <i>i</i>	5
40A	SVM1-40 <i>i</i>	10
80A	SVM1-80 <i>i</i>	20

For the SVM1-20*i*, for example, the motor current is 5A (actual value rather than effective value) if the observed voltage is 1V.

# 5

## PERIODIC MAINTENANCE OF SERVO AMPLIFIER

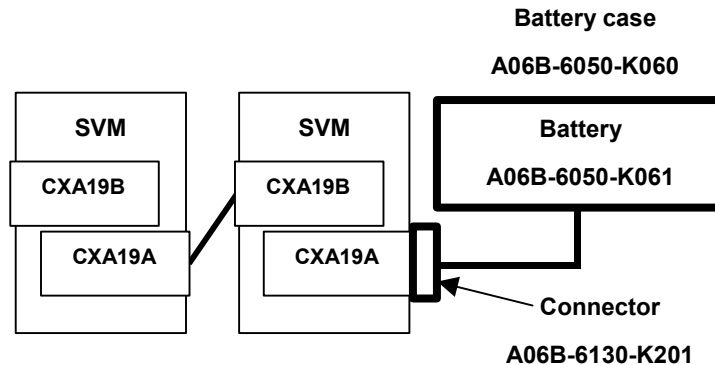
---

## 5.1 BATTERY FOR THE ABSOLUTE PULSECODER

The battery unit for the absolute Pulsecoder can be connected using [Connection scheme 1] and [Connection scheme 2] explained below.

### [Connection scheme 1]

#### Supplying power from one battery unit to more than one SVM

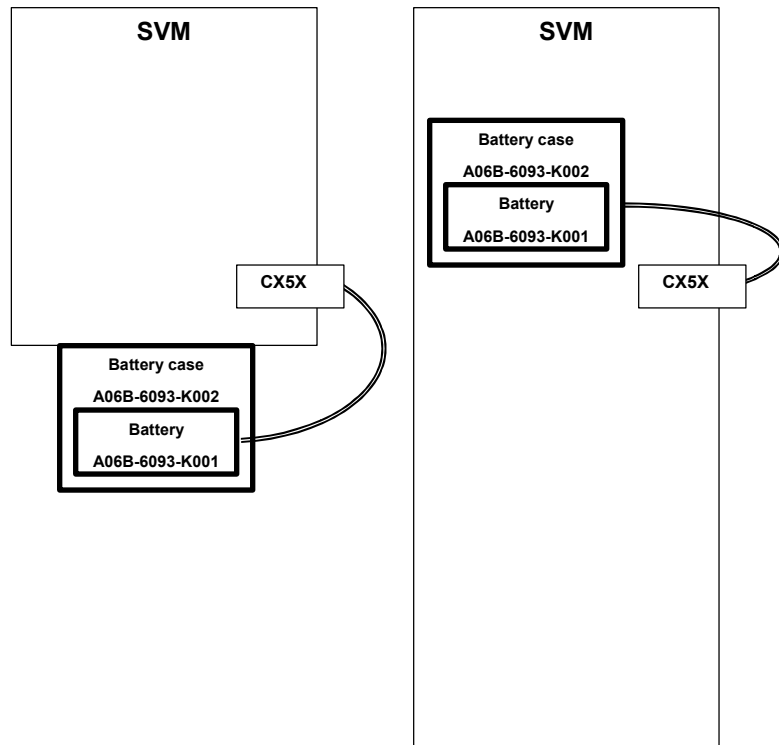


- If a low battery voltage or a battery voltage of 0 V is indicated by an APC (absolute Pulsecoder) alarm, replace the battery. If a battery voltage of 0 V is indicated, you need to make a zero point return.
- The absolute Pulsecoder of the  $\beta$ is series servo motor ( $\beta$  0.4/5000is to  $\beta$  22/2000is) is incorporated with a backup capacitor as standard. This backup capacitor enables an absolute position detection to be continued for about 10 minutes. Therefore, no zero point return need be performed if the time during which servo amplifier power is kept off for battery replacement is within 10 minutes.  
The Pulsecoder of the  $\beta$  series servo motors and some of the  $\beta$ is series servo motors ( $\beta$ 0.2/5000is to  $\beta$ 0.3/5000is) does not include a backup capacitor. Be careful when replacing the battery for this Pulsecoder. See [Caution No. 1 for battery replacement] at the end of this section for details.
- The battery service life is about two years for the  $\beta$ is series servo motors ( $\beta$ 0.4/5000is to  $\beta$ 22/2000is) if servo motors for six axes are connected. For the  $\beta$  series servo motors and some of the  $\beta$ is series servo motors ( $\beta$ 0.2/5000is to  $\beta$ 0.3/5000is), the battery service life is about one year.  
FANUC recommends that you replace the batteries periodically according to the battery service life.
- The battery unit consists of four R20 alkaline batteries. Commercial batteries can be used in the battery unit. The optional battery offered by FANUC is A06B-6050-K061.

 **WARNING**

- 1 Do not connect more than one battery to the same BAT (B3) line. If the output voltage is different between the batteries, they may be short-circuited, resulting in the batteries becoming very hot.
- 2 Install the battery with correct polarity. If the battery is installed with incorrect polarity, it may overheat, blow out, or catch fire.

**[Connection scheme 2] Incorporating each SVM with batteries**



- If a low battery voltage or a battery voltage of 0 V is indicated by an APC (absolute Pulsecoder) alarm, replace the battery (A06B-6073-K001).  
If a battery voltage of 0 V is indicated, you need to make a zero point return.
- The absolute Pulsecoder of the  $\beta$ is series servo motor ( $\beta$  0.4/5000is to  $\beta$  22/2000is) is incorporated with a backup capacitor as standard. This backup capacitor enables an absolute position detection to be continued for about 10 minutes. Therefore, no zero point return need be performed if the time during which servo amplifier power is kept off for battery replacement is within 10 minutes.  
The Pulsecoder of the  $\beta$  series servo motors and some of the  $\beta$ is series servo motors ( $\beta$ 0.2/5000is to  $\beta$ 0.3/5000is) does not include a backup capacitor. Be careful when replacing the battery for this Pulsecoder. See [Caution No. 1 for battery replacement] at the end of this section for details.
- The battery service life is about two years for the  $\beta$ is series servo motors ( $\beta$ 0.4/5000is to  $\beta$ 22/2000is). For the  $\beta$  series servo motors and some of the  $\beta$ is series servo motors ( $\beta$ 0.2/5000is to  $\beta$ 0.3/5000is), the battery service life is about one year.  
FANUC recommends that you replace the batteries periodically according to the battery service life.

- The built-in batteries are not commercially available. They must be purchased from FANUC. So, FANUC recommends that you keep spares.

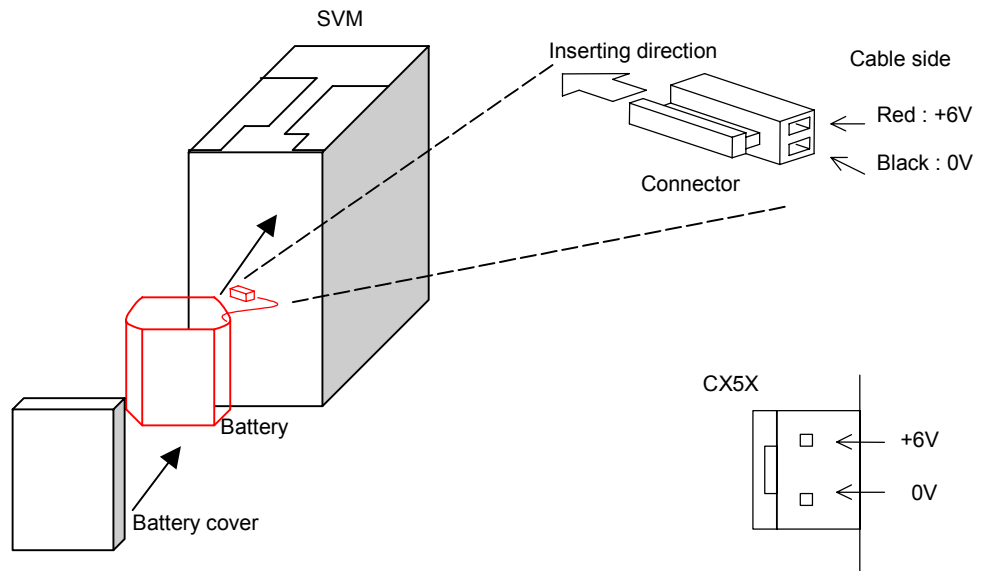
**⚠ WARNING**

- 1 When using the built-in batteries (A06B-6073-K001), do not connect them to the BAT (B3) of connector CXA2A/CXA2B. The output voltages from different SVM batteries may be short-circuited, resulting in the batteries becoming very hot.
- 2 Do not connect more than one battery to the same BAT (B3) line. If the output voltage is different between the batteries, they may be short-circuited, resulting in the batteries becoming very hot.
- 3 Install the battery with correct polarity. If the battery is installed with incorrect polarity, it may overheat, blow out, or catch fire.

**- Installation procedure for the battery**

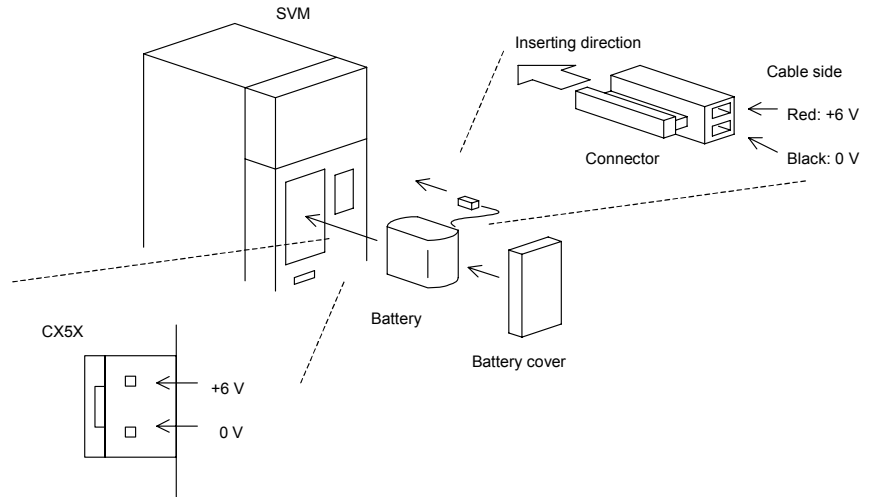
**· SVM1-4i, SVM1-20i**

- (1) Install the battery in the SVM.
- (2) Install the battery cover.
- (3) Attach the battery connector to CX5X of the SVM.



· SVM1-40i, SVM1-80i

- (1) Install the battery in the SVM.
- (2) Install the battery cover.
- (3) Attach the battery connector to CX5X of the SVM.



**CAUTION**

- 1 When the battery is installed in the SVM from the side from which the cable is drawn, the cable may be stretched tight, which can lead to a poor contact condition. Therefore, install the battery so that the cable is not extended tightly.
- 2 Be careful when handling the connector. See [Caution No. 2 for battery replacement] at the end of this section for details.

**[Caution No. 1 for battery replacement]**

The Pulsecoder of the  $\beta$  series servo motors and some of the  $\beta_{is}$  series servo motors ( $\beta 0.2/5000is$  to  $\beta 0.3/5000is$ ) does not include a backup capacitor as standard. To keep the absolute position information in the absolute Pulsecoder, you need to keep the control power turned on during battery replacement. Follow the procedure explained below.

[Replacing procedure for the battery]

1. Make sure that the power to the SVM is on (the LED “POWER” on the front of the SVM is on).
2. Make sure that the emergency stop button of the system has been pressed.
3. Make sure that the motor is not activated.
4. Make sure that the DC link charge LED of the SVM is off.
5. Remove the old battery, and install a new battery.
6. This completes the replacement. You can turn off the power to the system.

 **WARNING**


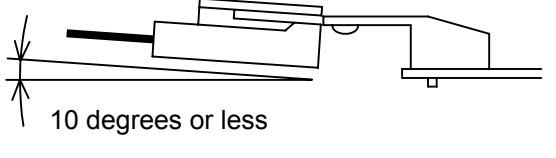
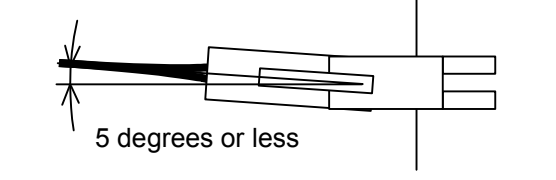
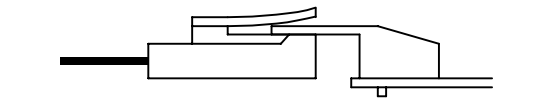
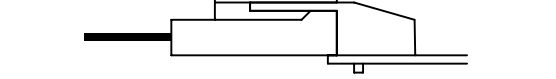
- 1 When replacing the battery, be careful not to touch bare metal parts in the panel. In particular, be careful not to touch any high-voltage circuits due to the electric shock hazard.
- 2 Before replacing the battery, check that the DC link charge confirmation LED on the front of the servo amplifier is off. Neglecting this check creates an electric shock hazard.
- 3 Install the battery with correct polarity. If the battery is installed with incorrect polarity, it may overheat, blow out, or catch fire.
- 4 Avoid a short-circuit between the +6 V and 0 V lines of a battery or cable. A short-circuit may lead to a hot battery, an explosion, or fire.



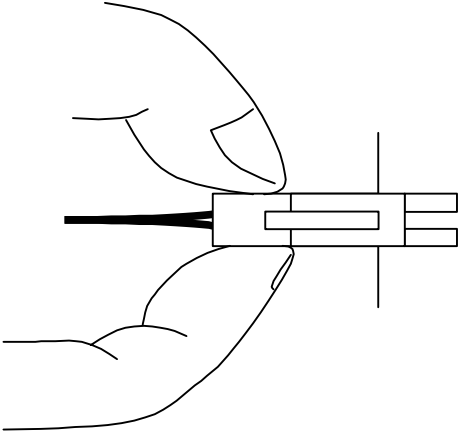
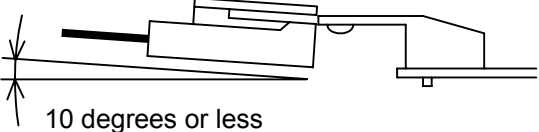
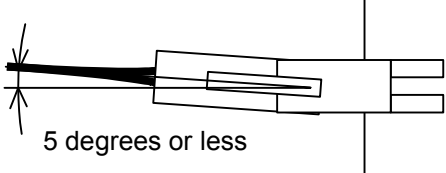
**[Caution No. 2 for battery replacement]**

If an excessive strain is applied to a connector when it is inserted or removed, a poor contact may result. When inserting and removing the battery connector, therefore, be careful not to apply an excessive wrenching force to it; just follow the instructions given in the following table.

(1) Attaching connectors

<1>		Check the attachment position.
<2>	 <p>10 degrees or less</p>	Plug the cable connector while raising it slightly.
<5>	 <p>5 degrees or less</p>	Here, the angle of the cable connector to the horizontal must be 5 degrees or less.
<3>		After passing the lock pin, insert the connector straight.
<4>		The attachment of the connector is completed.

(2) Detaching the connector

<p>&lt;1&gt;</p>		<p>Hold both the sides of the cable insulator and the cable, and pull them horizontally.</p>
<p>&lt;2&gt;</p>	 <p>10 degrees or less</p>	<p>Pull out the cable side while raising it slightly.</p>
<p>&lt;3&gt;</p>	 <p>5 degrees or less</p>	<p>Here, the angle of the cable to the horizontal must be 5 degrees or less.</p>

## 5.2 PERIODIC MAINTENANCE OF SERVO AMPLIFIER

To use the servo amplifier for a long time and keep its high performance and reliability, you should perform maintenance and inspection on it routinely.

Inspection target	Inspection item	Inspection cycle		Criterion	Remark
		Routine	Periodic		
Environment	Ambient temperature	O		Surroundings of the power magnetics cabinet: 0 to 45 °C Inside of power magnetics cabinet: 0 to 55 °C	
Environment	Humidity	O		90%RH or lower (no condensation allowed)	
Environment	Dust Oil mist	O		No dust or oil mist shall be on and around the servo amplifier.	
Environment	Cooling air path	O		Whether the cooling air path is free from an obstacle. Whether the cooling fan motor is working.	
Environment	Abnormal vibration and noise	O		(1) There shall be no abnormal sound or vibration that has not be experienced so far. (2) Any vibration on and around the amplifier shall not be over 0.5 G.	
Environment	Power supply voltage	O		3-phase input : Shall be within the rating (200 to 240 V). Single-phase input : Shall be within the rating (220 to 240 V).	
Amplifier	General	O		Whether the amplifier generates abnormal sound or odor.	
Amplifier	General	O		Whether there is dust or oil mist on the amplifier. Whether the amplifier generates abnormal sound or odor.	
Amplifier	Screw		O	There shall be no loose screw.	
Amplifier	Fan motor	O		(1) Whether the motor is running normally. (2) The motor shall not generate abnormal vibration or sound. (3) There shall be no dust or oil mist on the motor.	(*1)
Amplifier	Connector		O	Whether there is a loose connector.	
Amplifier	Cable		O	(1) Whether there is a sign of past heat generation. (2) Whether there is a deteriorated sheath (discolored or cracked).	
External device	Magnetic contactor		O	The magnetic contactor shall not rattle or chatter.	
External device	Ground fault interrupter		O	The interrupter shall be able to trip.	
External device	AC line filter		O	There shall be no hum.	

(\*1) Generally, fan motors are periodic-replacement parts.

If a fan motor for a servo amplifier does not work, the amplifier will not get broken immediately. However, you should inspect the fan motor constantly and replace it in a preventive manner.

**Specification number of fan unit****- SVM**

SVM name	Fan for circulating the inside air		Fan for cooling external heat sink fins	
	Fan unit (*1)	Fan motor	Fan unit (*1)	Fan motor
SVM1-20 <i>i</i>	A06B-6134-K003	A90L-0001-0423#50	-	-
SVM1-40 <i>i</i>	A06B-6110-C605	A90L-0001-0510	-	-
SVM1-80 <i>i</i>	A06B-6110-C605	A90L-0001-0510	A06B-6134-K002	-

(\*1) A fan unit is a set of a fan motor and a cover for mounting it.

## II. TROUBLESHOOTING FOR $\beta_i$ SVM



# 1

## OVERVIEW

---

This part describes the troubleshooting procedure. Read the section related to your current trouble to locate it and take an appropriate action.

First, check the alarm number (indicated by the CNC) and the SVM indication in Chapter 2 to find the cause.

Then, take an appropriate action according to the corresponding description in Chapter 3.

# 2

## ALARM NUMBERS AND BRIEF DESCRIPTIONS

---



## 2.1 FOR Series 15i

### 2.1.1 Servo Alarm

Alarm No.	Description	Remark
SV0027	Invalid digital servo parameter setting	3.2.6
SV0361	Pulsecoder phase error (built-in)	3.2.7 (1)
SV0364	Soft phase alarm (built-in)	3.2.7 (1)
SV0365	LED error (built-in)	3.2.7 (1)
SV0366	Pulse error (built-in)	3.2.7 (1)
SV0367	Count error (built-in)	3.2.7 (1)
SV0368	Serial data error (built-in)	3.2.7 (3)
SV0369	Data transfer error (built-in)	3.2.7 (3)
SV0380	LED error (separate)	3.2.7 (2)
SV0381	Pulsecoder phase error (separate)	3.2.7 (2)
SV0382	Count error (separate)	3.2.7 (2)
SV0383	Pulse error (separate)	3.2.7 (2)
SV0384	Soft phase alarm (separate)	3.2.7 (2)
SV0385	Serial data error (separate)	3.2.7 (3)
SV0386	Data transfer error (separate)	3.2.7 (3)
SV0387	Sensor error (separate)	3.2.7 (2)
SV0421	Excessive semi-full error	3.2.8
SV0430	Servo motor overheat	3.2.5
SV0432	Converter: control power supply undervoltage	3.1.4
SV0433	Converter: DC link undervoltage	3.1.1
SV0436	Soft thermal (OVC)	3.2.3
SV0438	Inverter: motor current alarm	3.1.9
SV0439	Converter: DC link overvoltage	3.1.2
SV0440	Converter: Excessive deceleration power	3.1.3
SV0441	Current offset error	3.2.8
SV0444	Inverter: internal cooling fan stopped	3.1.5
SV0445	Soft disconnection alarm	3.2.4
SV0447	Hard disconnection alarm (separate)	3.2.4
SV0448	Feedback mismatch alarm	3.2.8
SV0449	Inverter: IPM alarm	3.1.7
SV0601	Inverter: cooling fan stopped of the radiator	3.1.6
SV0603	Inverter: IPM alarm (OH)	3.1.8

## 2.2 FOR Series 16i, 18i, 20i, 21i, 0i, AND Power Mate i

### 2.2.1 Servo Alarm

Alarm No.	Description	Remark
361	Pulsecoder phase error (built-in)	3.2.7 (1)
364	Soft phase alarm (built-in)	3.2.7 (1)
365	LED error (built-in)	3.2.7 (1)
366	Pulse error (built-in)	3.2.7 (1)
367	Count error (built-in)	3.2.7 (1)
368	Serial data error (built-in)	3.2.7 (3)
369	Data transfer error (built-in)	3.2.7 (3)
380	LED error (separate)	3.2.7 (2)
381	Pulsecoder phase error (separate)	3.2.7 (2)
382	Count error (separate)	3.2.7 (2)
383	Pulse error (separate)	3.2.7 (2)
384	Soft phase alarm (separate)	3.2.7 (2)
385	Serial data error (separate)	3.2.7 (3)
386	Data transfer error (separate)	3.2.7 (3)
387	Sensor error (separate)	3.2.7 (2)
417	Invalid parameter	3.2.6
421	Excessive semi-full error	3.2.8
430	Servomotor overheat	3.2.5
432	Converter: control undervoltage	3.1.4
433	Converter: DC link undervoltage	3.1.1
436	Soft thermal (OVC)	3.2.3
438	Inverter: motor current alarm	3.1.9
439	Converter: DC link overvoltage	3.1.2
440	Converter: excessive deceleration power	3.1.3
441	Current offset error	3.2.8
444	Inverter: internal cooling fan stopped	3.1.5
445	Soft disconnection alarm	3.2.4
447	Hard disconnection alarm (separate)	3.2.4
448	Feedback mismatch alarm	3.2.8
449	Inverter: IPM alarm	3.1.7
453	Soft disconnection alarm ( $\alpha$ Pulsecoder)	3.2.4
601	Inverter: cooling fan stopped of the radiator	3.1.6
603	Inverter: IPM alarm (OH)	3.1.8

# 3

## TROUBLESHOOTING AND ACTION

---

## 3.1 SERVO AMPLIFIER MODULE

The following table lists alarms related to the servo amplifier module. See this table and the CNC alarm code indicated in Chapter 2, "ALARM NUMBERS AND BRIEF DESCRIPTIONS".

Alarm	LED display	Major cause	Reference
Converter: DC link undervoltage	ON	Voltage drop at the DC link in the main circuit	3.1.1
Converter: DC link overvoltage	ON	Voltage rise at the DC link in the main circuit	3.1.2
Converter: excessive deceleration power	ON	- Too large regenerative discharge amount - Abnormal regenerative discharge circuit	3.1.3
Converter: control power supply undervoltage	ON	- Drop in external control power supply (24 V) - Connector/cable (CXA19A, CXA19B) defective - SVM failure	3.1.4
Inverter: internal cooling fan stopped	ON	- Fan not running. - Fan motor connector or cable defective - SVM failure	3.1.5
Inverter: cooling fan stopped of the radiator	ON	- Fan not running. - Fan motor connector or cable defective - SVM failure	3.1.6
Inverter: IPM alarm	ON	- Short-circuit between power lead phases or ground fault in them - Short-circuit between motor winding phases or ground fault in them - SVM failure	3.1.7
Inverter: IPM alarm (OH)	ON	- The motor is being used under a harsh condition. - The ambient temperature is high. - SVM failure	3.1.8
Inverter: motor current alarm	ON	- Short-circuit between power lead phases or ground fault in them - Short-circuit between motor winding phases or ground fault in them - Incorrect motor ID setting - SVM or motor failure	3.1.9
Inverter: FSSB communication error	ON	- Connector or cable failure - SVM or CNC failure	3.1.10

### 3.1.1 Converter: DC Link Undervoltage

---

- (1) Meaning  
The voltage at the DC link of the converter is low.
- (2) Cause and troubleshooting
  - (a) A small power dip has occurred.  
→ Check the power supply.
  - (b) Low input power supply voltage  
→ Check the power supply specification.
  - (c) Insert the SVM face plate (control printed-circuit board) securely.
  - (d) Replace the SVM.

### 3.1.2 Converter: DC Link Overvoltage

---

- (1) Meaning  
In the main circuit, the voltage at the DC link is abnormally high.
- (2) Cause and troubleshooting
  - (a) SVM1-4*i*, SVM1-20*i*  
Use a regenerative resistor.
  - (b) Excessive regenerated power  
Increase the acceleration/deceleration time constant. If this alarm occurs less frequently, the regeneration capacity is not sufficient. Set the acceleration/deceleration time constant to such a level that does not cause any alarm.
  - (c) Insert the SVM face plate (control printed-circuit board) securely.
  - (d) Replace the SVM.

### 3.1.3 Converter: Excessive Deceleration Power

---

- (1) Meaning  
The converter deceleration power is too large.
- (2) Cause and troubleshooting  
For SVM1-4*i* and SVM1-20*i*
  - When a separate regenerative resistor is not used
    - (a) Connect CXA20 by using a dummy connector.
    - (b) Insert the SVM face plate (control printed-circuit board) securely.
    - (c) Replace the SVM.
  - When a separate regenerative resistor is used
    - (a) Check the resistance at both ends of connector CXA20 on the regenerative resistor side to confirm that the resistance is 0  $\Omega$ .
    - (b) The average regenerative power may be high. Decrease the frequency of acceleration/deceleration, or review the resistor specification.
    - (c) Insert the SVM face plate (control printed-circuit board) securely.
    - (d) Replace the SVM.

For SVM1-40i and SVM1-80i

- When the built-in regenerative resistor is used
  - (a) Connect CXA20 and CZ6 by using a dummy connector.
  - (b) The average regenerative power may be high. Decrease the frequency of acceleration/deceleration, or review the resistor specification.
  - (c) Insert the SVM face plate (control printed-circuit board) securely.
  - (d) Replace the SVM.
  
- When a separate regenerative resistor is used
  - (a) Check the resistance at both ends of connector CXA20 on the regenerative resistor side to confirm that the resistance is 0  $\Omega$ .
  - (b) The average regenerative power may be high. Decrease the frequency of acceleration/deceleration, or review the resistor specification.
  - (c) Insert the SVM face plate (control printed-circuit board) securely.
  - (d) Replace the SVM.

### **3.1.4 Converter: Control Power Supply Undervoltage**

---

- (1) Meaning  
The external control power supply (24 VDC) voltage is low.
- (2) Cause and troubleshooting
  - (a) Check the voltage level of the external power supply (24 VDC). (Normal voltage: 21.6 V or higher)
  - (b) Check the connector and cable (CXA19A, CXA19B).
  - (c) Replace the SVM.

### **3.1.5 Inverter: Internal Cooling Fan Stopped**

---

- (1) Meaning  
Inverter: internal cooling fan stopped
- (2) Cause and troubleshooting
  - (a) Check whether there is any foreign material in the fan.
  - (b) Be sure to push the faceplate (control printed-circuit board) as far as it will go.
  - (c) Check that the fan connector is attached correctly.
  - (d) Replace the fan.
  - (e) Replace the SVM.

### **3.1.6 Inverter: Cooling Fan Stopped of the Radiator**

---

- (1) Meaning  
Inverter: cooling fan stopped of the radiator
- (2) Cause and troubleshooting
  - (a) Check whether there is any foreign material in the fan.
  - (b) Be sure to push the faceplate (control printed-circuit board) as far as it will go.
  - (c) Check that the fan connector is attached correctly.
  - (d) Replace the fan.
  - (e) Replace the SVM.

### **3.1.7 Inverter: IPM Alarm**

---

- (1) Meaning  
Inverter: IPM alarm
- (2) Cause and troubleshooting
  - (a) Be sure to push the faceplate (control printed-circuit board) as far as it will go.
  - (b) Disconnect the motor power leads from the SVM, and release the SVM from an emergency stop condition.
    - <1> If no IPM alarm condition has occurred  
→ Go to (c).
    - <2> If an IPM alarm condition has occurred  
→ Replace the SVM.
  - (c) Disconnect the motor power leads from the SVM, and check the insulation between PE and the motor power lead U, V, or W.
    - <1> If the insulation is deteriorated  
→ Go to (d).
    - <2> If the insulation is normal  
→ Replace the SVM.
  - (d) Disconnect the motor from its power leads, and check whether the insulation of the motor or power leads is deteriorated.
    - <1> If the insulation of the motor is deteriorated  
→ Replace the motor.
    - <2> If the insulation of any power lead is deteriorated  
→ Replace the power lead.

### **3.1.8 Inverter: IPM Alarm (OH)**

---

- (1) Meaning  
Inverter: IPM alarm (OH)
- (2) Cause and troubleshooting
  - (a) Be sure to push the faceplate (control printed-circuit board) as far as it will go.
  - (b) Check that the heat sink cooling fan is running.
  - (c) Check that the motor is being used at or below its continuous rating.
  - (d) Check that the cooling capacity of the cabinet is sufficient (inspect the fans and filters).
  - (e) Check that the ambient temperature is not too high.
  - (f) Replace the SVM.



### 3.1.9 Inverter: Motor Current Alarm

(1) Meaning

Inverter: DC link current alarm

(2) Cause and troubleshooting

(a) Checking the servo parameters

Referring to "FANUC AC SERVO MOTOR  $\alpha i s / \alpha i / \beta i s$  series Parameter Manual (B-65270EN)," check whether the following parameters have default values.

Series 15 <i>i</i>	No.1809	No.1852	No.1853
Series 16 <i>i</i> , 18 <i>i</i> , 20 <i>i</i> , 21 <i>i</i> , 0 <i>i</i> Power Mate <i>i</i>	No.2004	No.2040	No.2041

Alternatively, if an abnormal motor current alarm condition occurs only on rapid acceleration/deceleration, it is likely that the motor is being used under too harsh a condition. Increase the acceleration/deceleration time constant, and see what will occur.

(b) Be sure to push the faceplate (control printed-circuit board) as far as it will go.

(c) Disconnect the motor power leads from the SVM, and release the SVM from an emergency stop condition.

<1> If no abnormal motor current occurs

→ Go to (d).

<2> If an abnormal motor current occurs

→ Replace the SVM.

(d) Disconnect the motor power leads from the SVM, and check the insulation between PE and the motor power lead U, V, or W.

<1> If the insulation is deteriorated

→ Go to (e).

<2> If the insulation is normal

→ Replace the SVM.

(e) Disconnect the motor from its power leads, and check whether the insulation of the motor or power leads is deteriorated.

<1> If the insulation of the motor is deteriorated

→ Replace the motor.

<2> If the insulation of any power lead is deteriorated

→ Replace the power lead.

### 3.1.10 Inverter: FSSB Communication Error

- (1) Meaning  
Inverter: FSSB communication error
- (2) Cause and troubleshooting
  - (a) Replace the optical cable (COP10A) of the SVM that is nearest to the CNC among the amplifiers on which the ALM LED is lit (in Fig. 3.1.10, the cable between UNIT2 and UNIT3).
  - (b) Replace the SVM that is the second nearest to the CNC among the amplifiers on which the ALM LED is lit (in Fig. 3.1.10, UNIT3).
  - (c) Replace the SVM that is nearest to the CNC among the amplifiers on which the ALM LED is lit (in Fig. 3.1.10, UNIT2).
  - (d) Replace the servo card in the CNC.

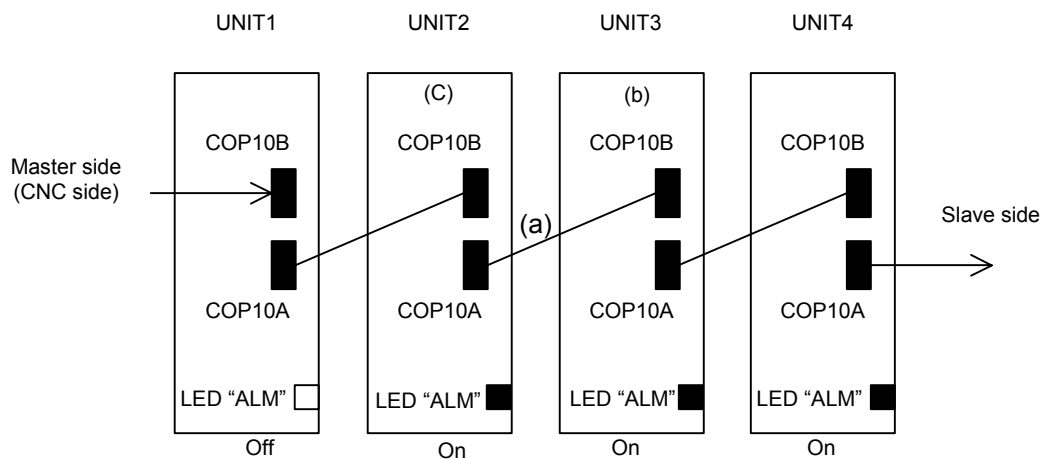


Fig. 3.1.10

## 3.2 SERVO SOFTWARE

If a servo alarm is issued, an alarm message is output, and details of the alarm are also displayed on the servo adjustment screen or the diagnosis screen. Using the alarm identification table given in this section, determine the alarm, and take a proper action.

### 3.2.1 Servo Adjustment Screen

The following procedure can be used to display the servo adjustment screen.

(The DPL/MDI of the Power Mate has no servo adjustment screen.)

- Series 15i

SYSTEM → [CHAPTER] → [SERVO] → [▷] → [SERVO ALARM]

- Series 16i, 18i, 20i, 21i, 0i

SYSTEM → [SYSTEM] → [▷] → [SV-PRM] → [SV-TUN]

If the servo setting screen does not appear, specify the following parameter, then switch the CNC off and on again.

	#7	#6	#5	#4	#3	#2	#1	#0
3111								SVS

SVS (#0)=1 (to display the servo setting screen)

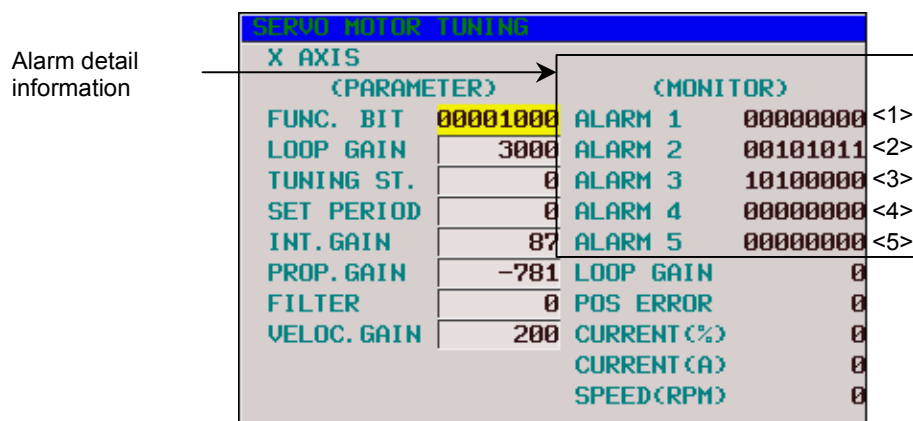


Fig. 3.2.1(a) Servo adjustment screen

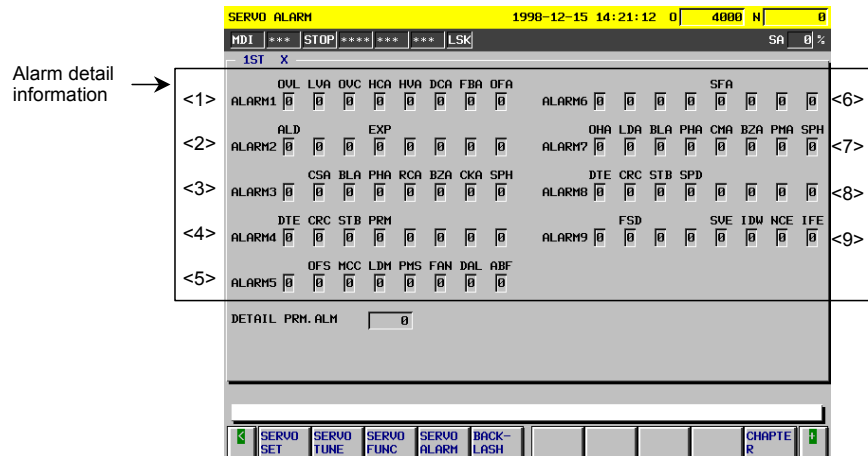


Fig. 3.2.1(b) Series 15i servo alarm screen

The table below indicates the names of the alarm bits.

Table 3.2.1 List of alarm bit names

	#7	#6	#5	#4	#3	#2	#1	#0
<1> Alarm 1	OVL	LVA	OVC	HCA	HVA	DCA	FBA	OFA
<2> Alarm 2	ALD			EXP				
<3> Alarm 3		CSA	BLA	PHA	RCA	BZA	CKA	SPH
<4> Alarm 4	DTE	CRC	STB	PRM				
<5> Alarm 5		OFS	MCC	LDM	PMS	FAN	DAL	ABF
<6> Alarm 6					SFA			
<7> Alarm 7	OHA	LDA	BLA	PHA	CMA	BZA	PMA	SPH
<8> Alarm 8	DTE	CRC	STB	SPD				
<9> Alarm 9		FSD			SVE	IDW	NCE	IFE

**NOTE**  
The empty fields do not represent alarm codes.

### 3.2.2 Diagnosis Screen

The alarm items of the servo adjustment screen correspond to the diagnosis screen numbers indicated in the table below.

**Table 3.2.2 Correspondence between the servo adjustment screen and diagnosis screen**

Alarm No.	Series 15i	Series 16i, 18i, 21i, 0i
<1> Alarm 1	No 3014 + 20(X-1)	No 200
<2> Alarm 2	3015 + 20(X-1)	201
<3> Alarm 3	3016 + 20(X-1)	202
<4> Alarm 4	3017 + 20(X-1)	203
<5> Alarm 5	_____	204
<6> Alarm 6	_____	_____
<7> Alarm 7	_____	205
<8> Alarm 8	_____	206
<9> Alarm 9	_____	_____

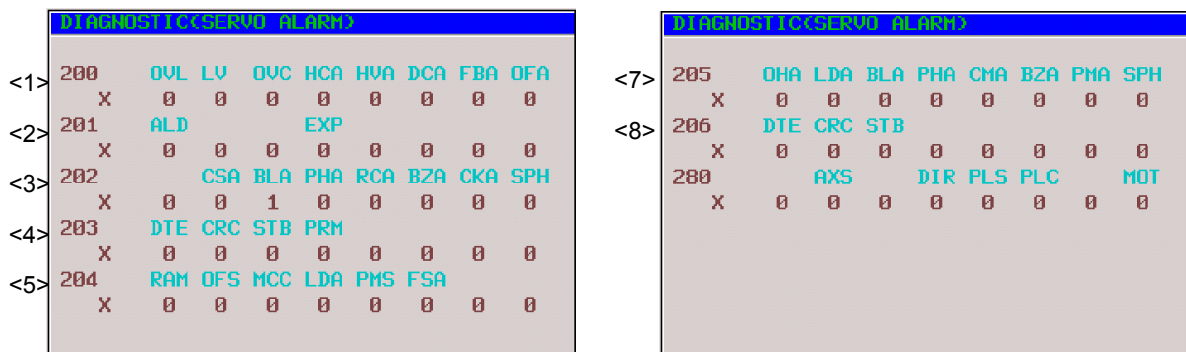


Fig. 3.2.2 Diagnosis screen

### 3.2.3 Overload Alarm (Soft Thermal, OVC)

(Alarm identification method)

	#7	#6	#5	#4	#3	#2	#1	#0
<1> Alarm 1	OVL	LVA	OVC	HCA	HVA	DCA	FBA	OFA

(Action)

- (1) Make sure that the motor is not vibrating.
  - ⇒ If a motor vibrates, the current flowing in it becomes more than necessary, resulting in an alarm.
- (2) Make sure that the power lead to the motor is connected correctly.
  - ⇒ If the connection is incorrect, an abnormal current flows in the motor, resulting in an alarm.
- (3) Make sure that the following parameters are set correctly.
  - ⇒ An overload alarm is issued based on the result of calculation of these parameters. Be sure to set them to the standard values. For details of the standard values, refer to the FANUC AC SERVO MOTOR  $\alpha$ is/ $\alpha$ i/ $\beta$ is series Parameter Manual (B-65270EN).

No. 1877 (FS15i)	Overload protection coefficient (OVC1)
No. 2062 (FS16i)	

No. 1878 (FS15i)	Overload protection coefficient (OVC2)
No. 2063 (FS16i)	

No. 1893 (FS15i)	Overload protection coefficient (OVCLMT)
No. 2065 (FS16i)	

No. 1785 (FS15i)	Overload protection coefficient (OVC21)
No. 2162 (FS16i)	

No. 1786 (FS15i)	Overload protection coefficient (OVC22)
No. 2163 (FS16i)	

No. 1787 (FS15i)	Overload protection coefficient (OVCLMT2)
No. 2164 (FS16i)	

- (4) Attach the check board to connector JX5 to measure the waveform of the actual current (IR and IS) of the servo amplifier module. (This check pin board differs from that for the  $\alpha$  series.) Run the motor and measure its actual currents (IR and IS). Then compare the measurement results with the overload duty curve shown in "FANUC AC SERVO MOTOR  $\beta$ is series Descriptions (B-65302EN)," and see whether the machine load is too heavy compared with the motor capacity. If the actual current is high on acceleration/deceleration, it is likely that the time constant is too small.

### 3.2.4 Feedback Disconnected Alarm

(Alarm identification method)

	#7	#6	#5	#4	#3	#2	#1	#0
<1> Alarm 1	OVL	LVA	OVC	HCA	HVA	DCA	FBA	OFA
<2> Alarm 2	ALD			EXP				
<6> Alarm 6					SFA			

FBA	ALD	EXP	SFA	Alarm description	Action
1	1	1	0	Hard disconnection (separate phase A/B)	1
1	0	0	0	Soft disconnection (closed loop)	2
1	0	0	1	Soft disconnection (αi Pulsecoder)	3

(Action)

**Action 1:** This alarm is issued when a separate phase A/B scale is used. Check if the phase A/B detector is connected correctly.

**Action 2:** This alarm is issued when the position feedback pulse variation is small relative to the velocity feedback pulse variation. This means that this alarm is not issued when a semi-full is used. Check if the separate detector outputs position feedback pulses correctly. If position feedback pulses are output correctly, it is considered that the motor alone is rotating in the reverse direction at the start of machine operation because of a large backlash between the motor position and scale position.

	#7	#6	#5	#4	#3	#2	#1	#0
No. 1808 (FS15i)							TGAL	
No. 2003 (FS16i)								

TGAL (#1)

1: Uses the parameter for the soft disconnection alarm detection level.

No. 1892 (FS15i)	<b>Soft disconnection alarm level</b>
No. 2064 (FS16i)	

Standard setting

4: Alarm issued for a 1/8 rotation of the motor. Increase this value.

**Action 3:** This alarm is issued when synchronization between the absolute position data sent from the built-in Pulsecoder and phase data is lost. Turn off the power to the CNC, then detach the Pulsecoder cable then attach it again. If this alarm is still issued, replace the Pulsecoder.

### 3.2.5 Overheat Alarm

(Alarm identification method)

	#7	#6	#5	#4	#3	#2	#1	#0
<1> Alarm 1	OVL	LVA	OVC	HCA	HVA	DCA	FBA	OFA
<2> Alarm 2	ALD			EXP				

OVL	ALD	EXP	Alarm description	Action
1	1	0	Motor overheat	1
1	0	0	Amplifier overheat	1

(Action)

**Action 1:** If this alarm is issued after a long-time of continuous operation, it is considered that the motor and amplifier are overheated. Stop operation for a while, then make a check. If this alarm is still issued after the power is off for about 10 minutes then is turned on again, the thermostat is considered to be faulty. If this alarm is issued intermittently, increase the time constant or increase stop time in the program to suppress the rise in temperature.

### 3.2.6 Invalid Servo Parameter Setting Alarm

The invalid servo parameter setting alarm is issued when a setting out of the specifiable range is specified, or an overflow has occurred in an internal calculation. When an invalid parameter is detected on the servo side, alarm 4 #4 (PRM) = 1 results.

(Alarm identification method)

	#7	#6	#5	#4	#3	#2	#1	#0
<4> Alarm 4	DTE	CRC	STB	PRM				

For details and action required when the invalid servo parameter setting alarm is issued on the servo side, refer to the FANUC AC SERVO MOTOR  $\alpha$ is/ $\alpha$ i/ $\beta$ is series Parameter Manual (B-65270EN).

(Reference information)

Method of checking details of an invalid parameter detected on the servo side

(For Series 15*i*)

A number is indicated in the item "Details of invalid parameter" on the servo alarm screen (Fig. 3.2.1(b)).

(For Series 16*i*, 18*i*, 21*i*, 0*i*, and Power Mate *i*)

A number is indicated in No. 352 of the diagnosis screen.



### 3.2.7 Alarms Related to Pulsecoder and Separate Serial Detector

(Bits for alarm identification)

	#7	#6	#5	#4	#3	#2	#1	#0
<1> Alarm 1	OVL	LVA	OVC	HCA	HVA	DCA	FBA	OFA
<2> Alarm 2	ALD			EXP				
<3> Alarm 3		CSA	BLA	PHA	RCA	BZA	CKA	SPH
<4> Alarm 4	DTE	CRC	STB	PRM				
<5> Alarm 5		OFS	MCC	LDM	PMS	FAN	DAL	ABF
<6> Alarm 6					SFA			
<7> Alarm 7	OHA	LDA	BLA	PHA	CMA	BZA	PMA	SPH
<8> Alarm 8	DTE	CRC	STB	SPD				
<9> Alarm 9		FSD			SVE	IDW	NCE	IFE

- (1) For a built-in Pulsecoder  
An alarm is determined from the bits of alarms 1, 2, 3, and 5. The table below indicates the meaning of each bit.

Alarm 3							Alarm 5		1	Alarm 2		Alarm description	Action
CSA	BLA	PHA	RCA	BZA	CKA	SPH	LDM	PMA	FBA	ALD	EXP		
						1						Soft phase alarm	2
				1								Zero battery voltage	1
			1						1	1	0	Count error alarm	2
		1										Phase alarm	2
	1											Battery voltage decrease (Caution)	1
								1				Pulse error alarm	
							1					LED error alarm	

**⚠ CAUTION**  
An alarm for which no action number is given is considered to be caused by a Pulsecoder failure. Replace the Pulsecoder.

- (2) For a separate serial detector

An alarm is determined from the bits of alarm 7. The table below indicates the meaning of each bit.

Alarm 7								Alarm description	Action
OHA	LDA	BLA	PHA	CMA	BZA	PMA	SPH		
							1	Soft phase alarm	2
						1		Pulse error alarm	
					1			Zero battery voltage	1
				1				Count error alarm	2
			1					Phase alarm	2
		1						Battery voltage decrease (Caution)	1
	1							LED error alarm	
1								Separate detector alarm	3

 **CAUTION**

An alarm for which no action number is given is considered to be caused by a detector failure. Replace the detector.

(Action)

**Action 1: Battery-related alarms**

Check if a battery is connected. When the power is turned on for the first time after a battery is connected, the zero battery voltage alarm is issued. In such a case, turn off the power, then turn on the power again. If the alarm is still issued, check the battery voltage. If the battery voltage decrease alarm is issued, check the voltage, and replace the battery as required.

**Action 2: Alarms that may be issued for noise**

If an alarm is issued intermittently or after emergency stop cancellation, noise is probably the cause. So, provide noise protection. If the same alarm is still issued after noise protection is provided, replace the detector.

**Action 3: Alarm condition detected by the separate detector**

If the separate detector detects an alarm condition, contact the manufacturer of the detector for information on troubleshooting.

## (3) Alarms related to serial communication

An alarm is determined from the bits of alarms 4 and 8.

Alarm 4			Alarm 8			Alarm description
DTE	CRC	STB	DTE	CRC	STB	
1						Serial Pulsecoder communication alarm
	1					
		1				
			1			Separate serial Pulsecoder communication alarm
				1		
					1	

**Action:** Serial communication is not performed correctly. Check if the cable is connected correctly and is not broken. If CRC or STB is issued, noise may be the cause. So, provide noise protection. If CRC or STB is always issued after the power is turned on, the Pulsecoder or amplifier control board or the pulse module may be faulty.

### 3.2.8 Other Alarms

(Alarm identification method)

	#7	#6	#5	#4	#3	#2	#1	#0
<5> Alarm 5		OFS	MCC	LDM	PMS	FAN	DAL	ABF

OFS	DAL	ABF	Alarm description	Action
		1	Feedback mismatch alarm	1
	1		Excessive semi-full error alarm	2
1			Current offset error alarm	3

(Action)

**Action 1:** This alarm is issued when the move direction of the position detector is opposite to the move direction of the speed detector. Check the rotation direction of the separate detector. If the rotation direction of the separate detector is opposite to the rotation direction of the motor, take the following action:

For a phase A/B detector: Reverse the connections of A and  $\bar{A}$ .

For a serial detector: Reverse the setting of the signal direction of the separate detector.

In the Series 90B0/G(07) and subsequent editions, the following settings enable signal directions in the A/B phase detector to be inverted.

	#7	#6	#5	#4	#3	#2	#1	#0
No. 1960 (FS15i)								RVRSE
No. 2018 (FS16i)								

RVRSE (#0) Reverses the signal direction of the separate detector.

0: Does not reverse the signal direction of the separate detector.

1: Reverses the signal direction of the separate detector.

If a large distortion exists between the motor and separate detector, this alarm may be issued in the case of abrupt acceleration/deceleration. In such a case, modify the detection level.

	#7	#6	#5	#4	#3	#2	#1	#0
No. 1741 (FS15i)							RNLV	
No. 2201 (FS16i)								

RNLV (#1) Modifies the feedback mismatch alarm detection level.

1: Detected with 1000 min<sup>-1</sup> or more

0: Detected with 600 min<sup>-1</sup> or more

**Action 2:** This alarm is issued when the difference between the motor position and separate detector position exceeds the excessive semi-full error level. Check if the conversion efficient for dual position feedback is set correctly. If the conversion efficient is set correctly, increase the alarm level. If this alarm is still issued after the level is modified, check the connection direction of the scale.

No. 1971 (FS15i)	Dual position feedback conversion coefficient (numerator)
No. 2078 (FS16i)	

No. 1972 (FS15i)	Dual position feedback conversion coefficient (denominator)
No. 2079 (FS16i)	

$$\text{Conversion coefficient} = \frac{\left( \begin{array}{l} \text{Number of feedback pulses per motor} \\ \text{revolution (detection unit)} \end{array} \right)}{1,000,000}$$

No. 1729 (FS15i)	Dual position feedback semi-full error level
No. 2118 (FS16i)	

[Setting] Detection unit. When 0 is set, no detection is made.

**Action 3:** The current offset value of the current detector (equivalent to the current value in the emergency stop state) is abnormally high. If this alarm is still issued after the power is turned off then back on, the current detector is faulty. For the  $\alpha i$  series, replace the amplifier.

# 4

## HOW TO REPLACE THE FUSES AND PRINTED CIRCUIT BOARDS

---



### WARNING

Before replacing fuses or printed-circuit boards, make sure that the recharge-under-way LED (red) is off.

Before replacing fuses or printed circuit boards of servo amplifier modules, see the table given below to find which section or subsection in this manual provides information about the related replacement procedure.

### NOTE

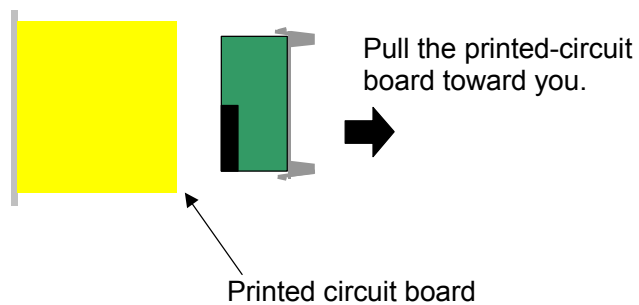
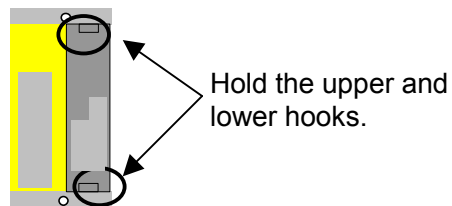
- 1 If a fuse blows, it is likely that there is a short-circuit in the power supply for a device (such as a sensor) connected to the servo amplifier.  
After checking that all devices connected to the servo amplifier are normal, replace the fuse.  
If you do not remove the cause, it is very much likely that the fuse will blow again.
- 2 Do not use any fuse not supplied from FANUC.
- 3 Before replacing a fuse, check a marking on it with that on the printed-circuit board. Be careful not to mount a fuse with an incorrect rating.

## 4.1 HOW TO REPLACE THE FUSES AND PRINTED CIRCUIT BOARDS

---

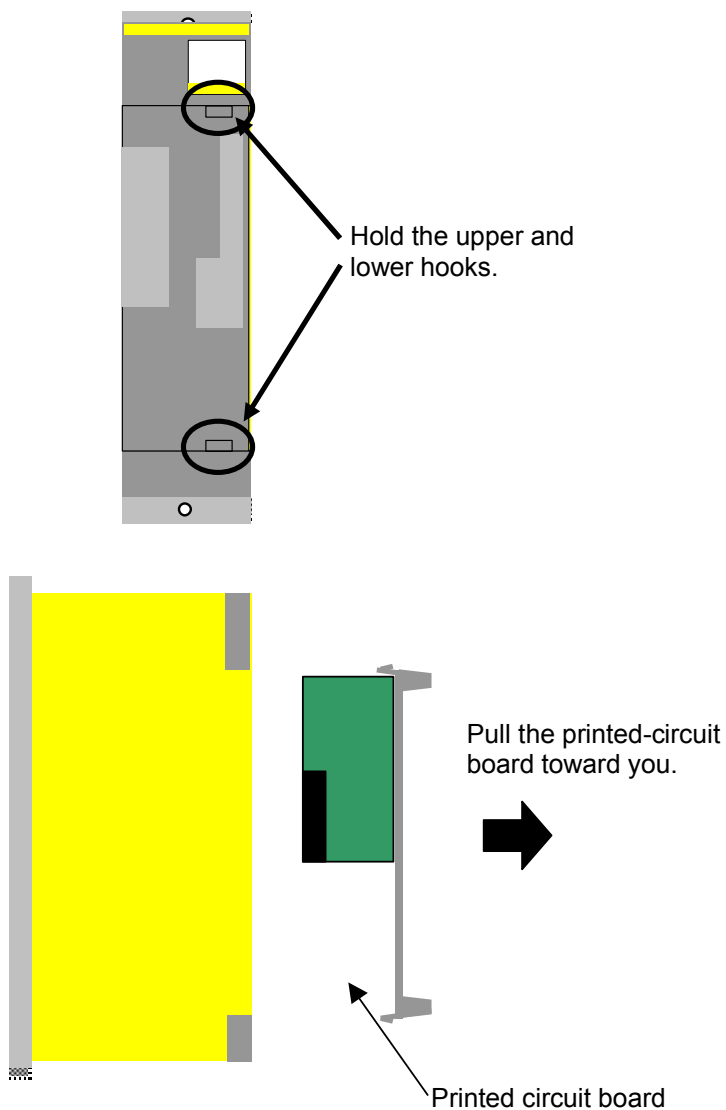
A printed-circuit board can be removed and inserted from the front of the servo amplifier.

**SVM1-4i, SVM1-20i**



To insert the printed-circuit board, reverse the above procedure. Ensure that the upper and lower hooks snap into the housing. If the printed-circuit board is not inserted completely, the housing remains lifted. Pull out the printed-circuit board and insert it again.

**SVM1-40i, SVM1-80i**



To insert the printed-circuit board, reverse the above procedure. Ensure that the upper and lower hooks snap into the housing. If the printed-circuit board is not inserted completely, the housing remains lifted. Pull out the printed-circuit board and insert it again.



## 4.1.1 Ordering Number of Printed Circuit Board

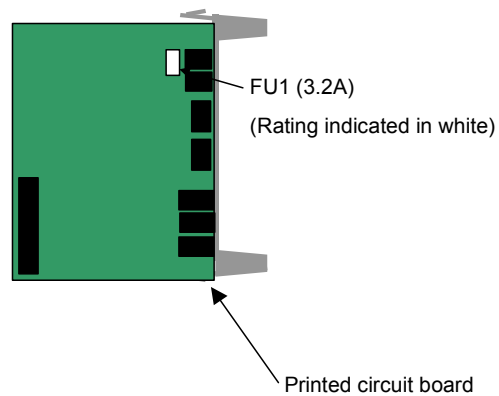
### SVM

Model	Ordering number
SVM1-4 <i>i</i> to 20 <i>i</i>	A20B-2101-009*
SVM1-40 <i>i</i> to 80 <i>i</i>	A16B-3200-051*

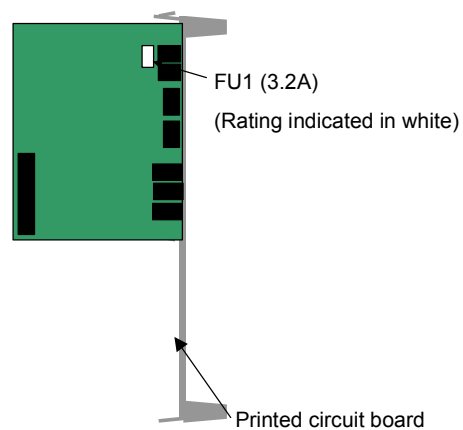
## 4.1.2 Fuse Locations

There is one fuse on the SVM printed-circuit board.

(1) A20B-2101-0050



(2) A20B-2100-0051\*



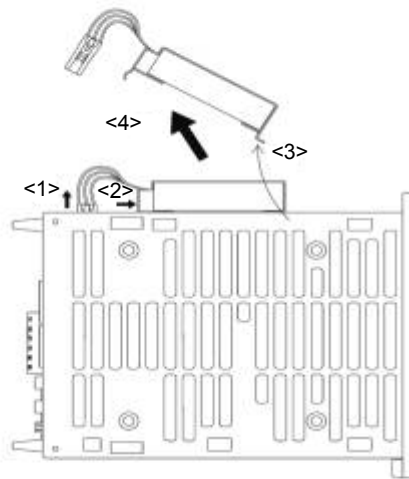
Fuse specification

Symbol	Ordering number
FU1	A60L-0001-0290/LM32C

## 4.2 HOW TO REPLACE THE FAN MOTOR

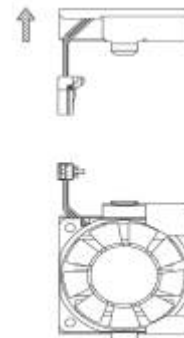
### 4.2.1 Internal-Fan Motor Replacement Procedure for SVM1-4i and SVM1-20i

- <1> Pull out the fan connector upward.
- <2> Push the front of the fan unit to disengage the lug.
- <3> Disengage the rear of the fan unit.
- <4> Lift the fan unit in a slant direction.

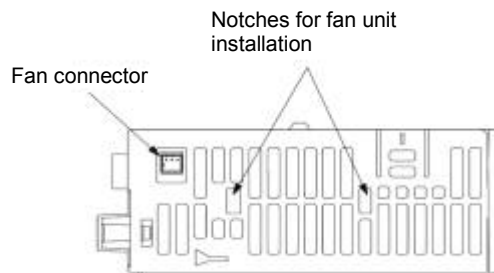


When replacing the fan motor, pay attention to its orientation and the cable drawing position.

Fan motor blow direction



Fan unit

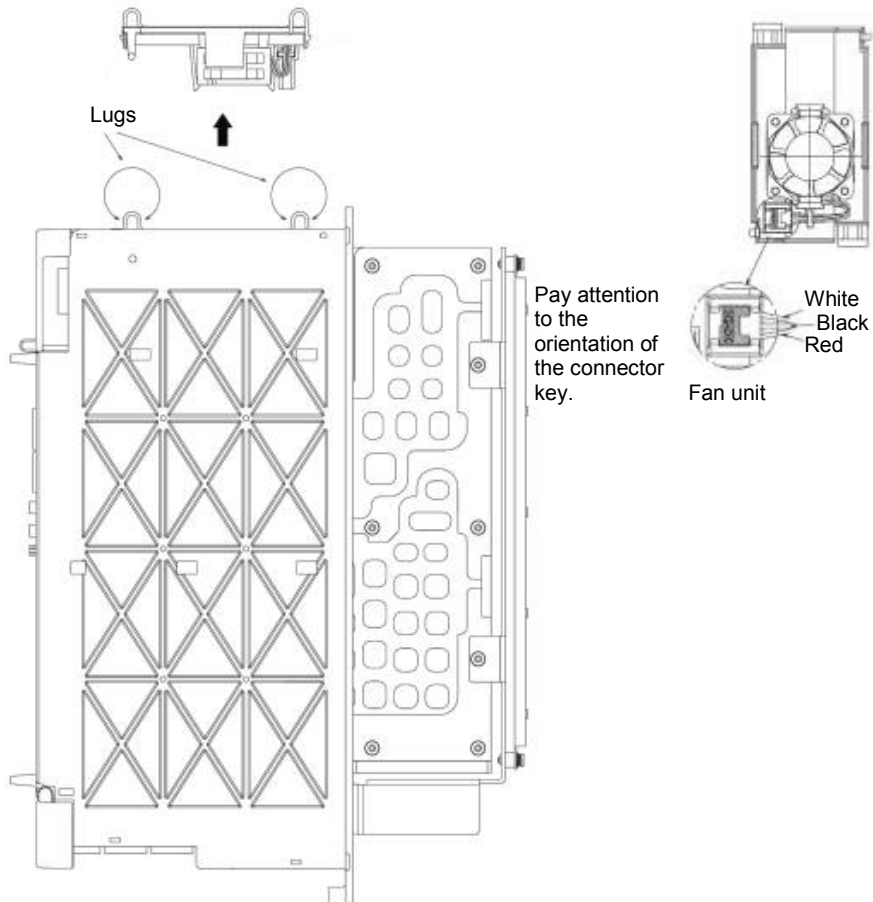


## 4.2.2 Internal-Fan Motor Replacement Procedure for SVM1-40i and SVM1-80i

<1> Remove the four sheet metal fixing screws and then pull out the fan unit.

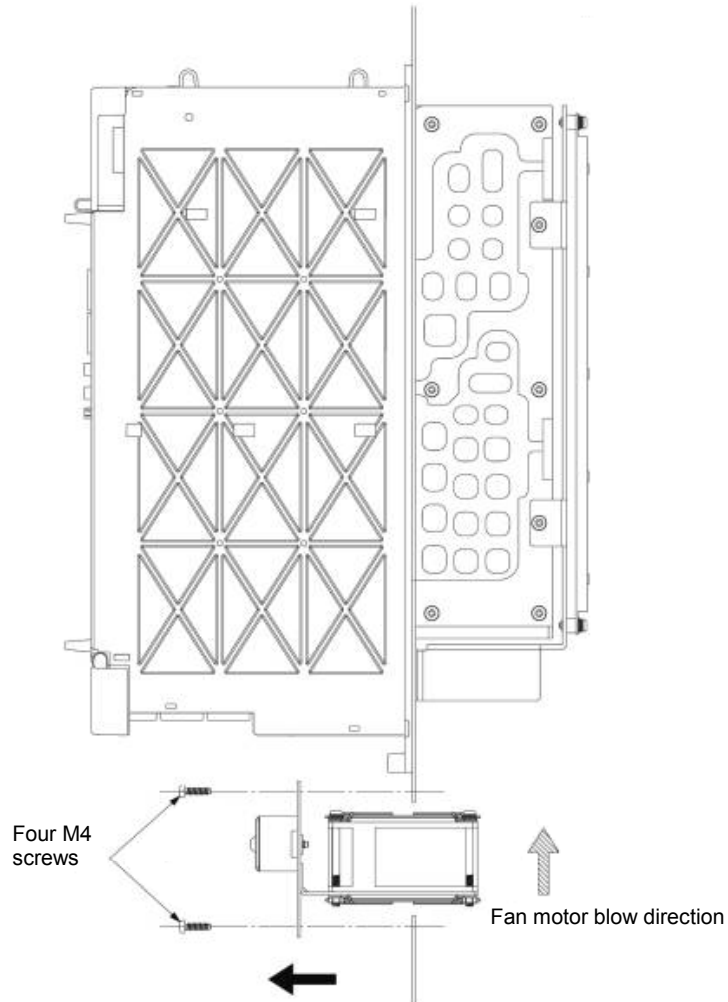
Holding the two lugs on the fan unit, lift the fan unit in the direction of the arrow (toward the top in the figure).

When replacing the fan motor, pay attention to its orientation and the orientation of the connector.



## 4.2.3 External-Fan Motor

<1> Holding the two lugs on the fan unit, lift the fan unit in the direction of the arrow (upward in the figure).



### **III. START-UP PROCEDURE FOR $\beta_i$ SVPM**



# 1

## OVERVIEW

---

This part describes the units and components of the FANUC servo amplifier  $\beta i$  series. It also explains the following information necessary to start up the amplifier:

- Configurations
- Start-up procedure
- Confirmation of the operation
- Periodic maintenance of servo amplifier

# 2 CONFIGURATIONS

---



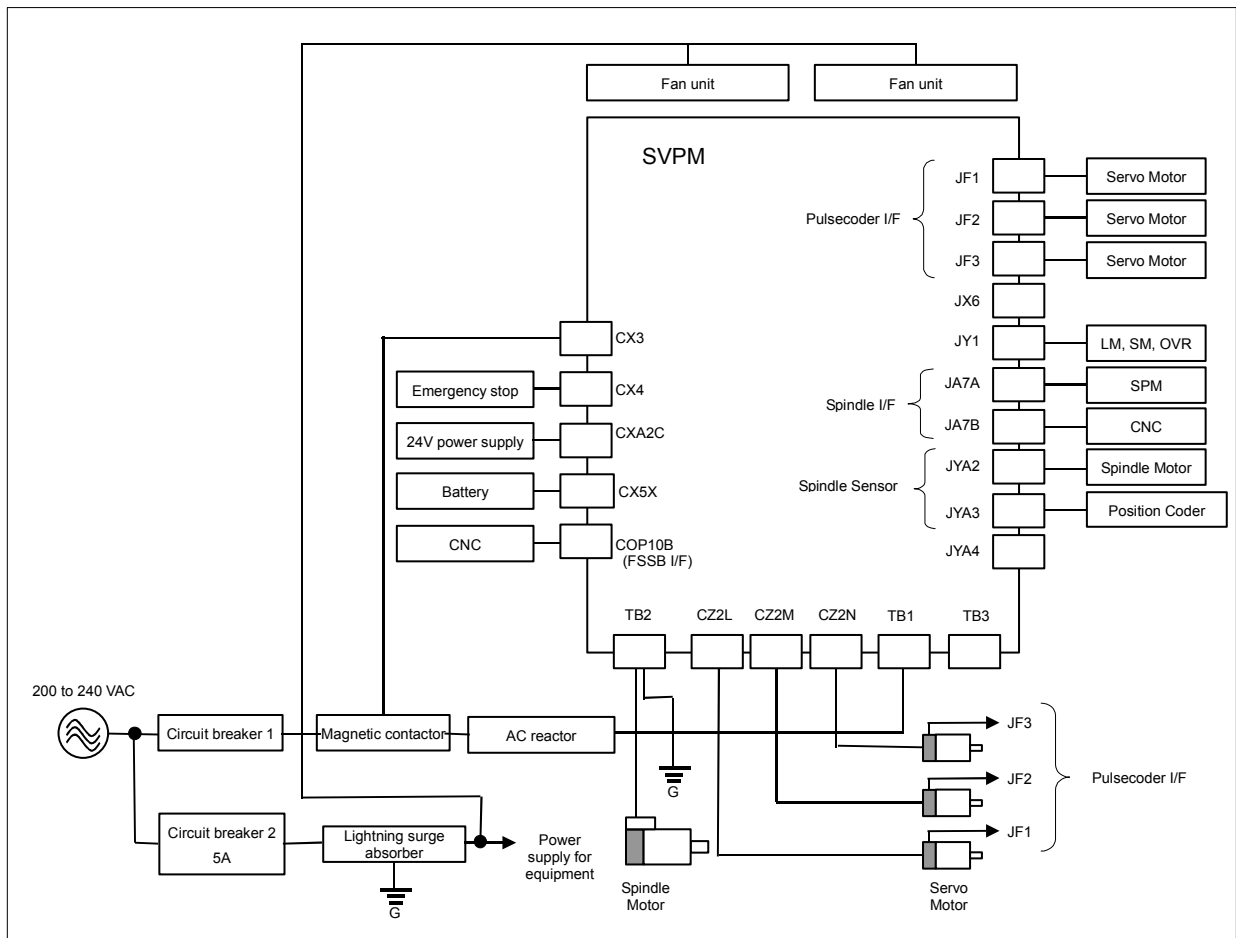
## 2.1 CONFIGURATIONS

---

The FANUC servo amplifier  $\beta i$  series consists of the units and components listed below:

- |  |          |
|--|----------|
| (1) $\beta i$ SVPM                     | (basic)  |
| (2) AC reactor                         | (basic)  |
| (3) Connectors (for connecting cables) | (basic)  |
| (4) Fuses                              | (option) |
| (5) Power transformer                  | (option) |

Constituent (example)



**NOTE**

- 1 Be sure to use a regulated power supply as the 24-V power supply for the amplifier.
- 2 The power cannot be shared with the 24-V power supply for the motor brake.
- 3 A magnetic contactor, AC reactor, and circuit breakers are always required.
- 4 To protect the unit from surge currents caused by lightning, connect surge absorbers between lines, and between the lines and ground, at the power inlet of the power magnetics cabinet.
- 5 The AC reactor is different from the AC line filter, which is designed for another purpose. Substituting one for the other or using one as both the reactor and filter is not allowed.

## 2.2 MAJOR COMPONENTS

### 2.2.1 $\beta_i$ SVPM

#### (1) $\beta_i$ SVPM

Model	Order specification	Unit specification	Wiring board specification	Printed circuit board specification	Module printed circuit board specification
$\beta_i$ SVPM2-5.5i TypeA	A06B-6134 -H201#A	A06B-6134 -C201#A	A16B-2101-0020	A20B-2101-0012	A20B-2902-0670
$\beta_i$ SVPM2-5.5i TypeC	A06B-6134 -H201#C	A06B-6134 -C201#C			A20B-2902-0672
$\beta_i$ SVPM2-11i TypeA	A06B-6134 -H202#A	A06B-6134 -C201#A	A16B-2101-0021		A20B-2902-0670
$\beta_i$ SVPM2-11i TypeC	A06B-6134 -H202#C	A06B-6134 -C202#C			A20B-2902-0672
$\beta_i$ SVPM2-15i TypeA	A06B-6134 -H203#A	A06B-6134 -C203#A	A16B-2101-0022		A20B-2902-0670
$\beta_i$ SVPM2-15i TypeC	A06B-6134 -H203#C	A06B-6134 -C203#C			A20B-2902-0672
$\beta_i$ SVPM3-5.5i TypeA	A06B-6134 -H301#A	A06B-6134 -C301#A	A16B-2101-0023	A20B-2101-0013	A20B-2902-0670
$\beta_i$ SVPM3-5.5i TypeC	A06B-6134 -H301#C	A06B-6134 -C201#C			A20B-2902-0672
$\beta_i$ SVPM3-11i TypeA	A06B-6134 -H302#A	A06B-6134 -C301#A	A16B-2101-0024		A20B-2902-0670
$\beta_i$ SVPM3-11i TypeC	A06B-6134 -H302#C	A06B-6134 -C302#C			A20B-2902-0672
$\beta_i$ SVPM3-15i TypeA	A06B-6134 -H303#A	A06B-6134 -C303#A	A16B-2101-0025		A20B-2902-0670
$\beta_i$ SVPM3-15i TypeC	A06B-6134 -H303#C	A06B-6134 -C303#C			A20B-2902-0672

# 3

## START-UP PROCEDURE

---

## 3.1 START-UP PROCEDURE (OVERVIEW)

---

Make sure that the specifications of the CNC, servo motors, spindle motors, servo amplifiers, and other units you received are exactly what you ordered, and these units are connected correctly. Then, turn on the power.

- (1) Before turning on the circuit breaker, check the power supply voltage connected.  
→ See Section 3.2.
- (2) Some types of SVPM require settings before the system can be used. So check whether you must make settings.  
→ See Section 3.3.
- (3) Turn on the power, and set initial parameters on the CNC.

For the initialization of servo parameters, refer to the following manual:

FANUC AC SERVO MOTOR  $\alpha i s / \alpha i / \beta i s$  series Parameter Manual (B-65270EN)

For the initialization of spindle parameters, refer to the following manual:

FANUC AD SPINDLE MOTOR  $\alpha i / \beta i$  series Parameter Manual (B-65280EN)

- (4) For start-up adjustment and troubleshooting, see Chapter 4.
  - Method of using optional wiring boards for adjustment of the SVPM
  - Spindle sensor adjustment values

## 3.2 CONNECTING THE POWER

### 3.2.1 Checking the Voltage and Capacity of the Power

Before connecting the power, you should measure the AC power voltage.

Table 3.2.1(a) Action for the AC power (200-V input type)

Permissible voltage fluctuation width	Nominal voltage	Action
-15% +10%	3-phase 200 to 240V	Permitted. Note) If the voltage is below the rated value, the rated output may not be obtained.
-15% +10%	380 to 550V	Not permitted. This power line must be connected through an insulation transformer to step down the voltage to 200 V.

Table 3.2.1 (b) list the input power specification for the power supply module. Use a power source with sufficient capacity so that the system will not malfunction due to a voltage drop even at a time of peak load.

Table 3.2.1 (b) AC power voltage specifications (200-V input type)

Model	SVPM2- -5.5i	SVPM3 -5.5i	SVPM2 -11i	SVPM3 -11i	SVPM2 -15i	SVPM3 -15i
Nominal voltage rating	200 to 240VAC -15%,+10%					
Power source frequency	50/60Hz $\pm$ 1Hz					
Power source capacity (for the main circuit) [kVA]	9		17		22	
Power source capacity (for the control circuit)	24V 1.5A $\pm$ 10%					

### 3.2.2 Connecting a Protective Ground

Check that the protective ground line is connected correctly.

### 3.2.3 Selecting the Ground Fault Interrupter That Matches the Leakage Current

Check that a correct ground fault interrupter is selected.

## 3.3 INITIALIZING PARAMETERS

---

- (1) Servo motor  
For the initialization of servo parameters, refer to the following manual:  
FANUC AC SERVO MOTOR  $\alpha is/\alpha i/\beta is$  series Parameter Manual (B-65270EN)
  
- (2) Spindle motor  
For the initialization of spindle parameters, refer to the following manual:  
FANUC AC SPINDLE MOTOR  $\alpha i/\beta i$  series Parameter Manual (B-65280EN)

# 4

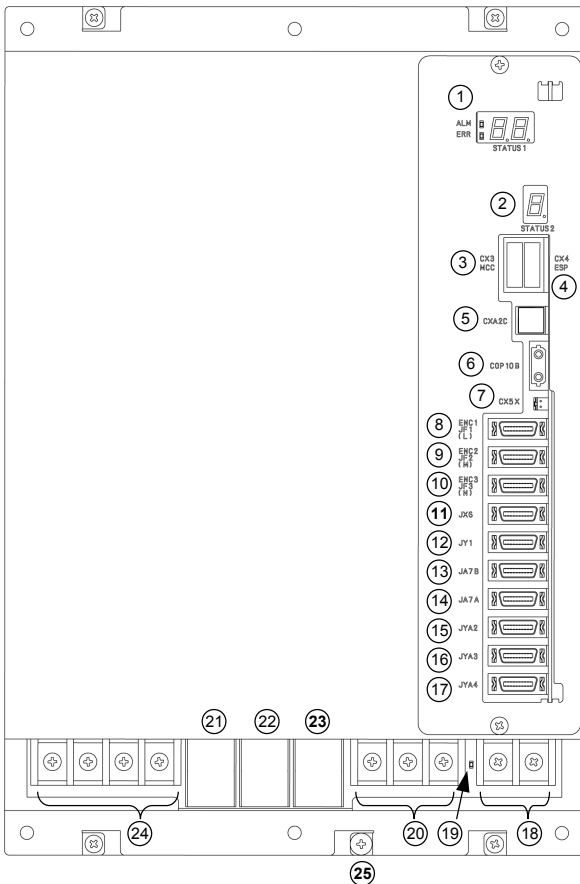
## CONFIRMATION OF THE OPERATION


---



## 4.1 OUTLINE OF SVPM

### 4.1.1 Connector and STATUS LED Locations



No.	Name	Remarks
1	STATUS1	Status LED : spindle
2	STATUS2	Status LED : servo
3	CX3	Main power MCC control signal
4	CX4	Emergency stop signal (ESP)
5	CXA2C	24VDC power input
6	COP10B	Servo FSSB I/F
7	CX5X	Absolute Pulsecoder battery
8	JF1	Pulsecoder : L axis
9	JF2	Pulsecoder : M axis
10	JF3	Pulsecoder : N axis
11	JX6	Power outage backup module
12	JY1	Load meter, speedometer, analog override
13	JA7B	Spindle interface input
14	JA7A	Spindle interface output
15	JYA2	Spindle sensor $M_i$ , $M_{Zi}$
16	JYA3	$\alpha$ position coder
17	JYA4	External one-rotation signal
18	TB3	DC link terminal block
19		DC link charge LED <sup>(Warning)</sup>
20	TB1	Main power supply connection terminal board
21	CZ2L	Servo motor power line : L axis
22	CZ2M	Servo motor power line : M axis
23	CZ2N	Servo motor power line : N axis
24	TB2	Spindle motor power line
25		Tapped hole for grounding the flange

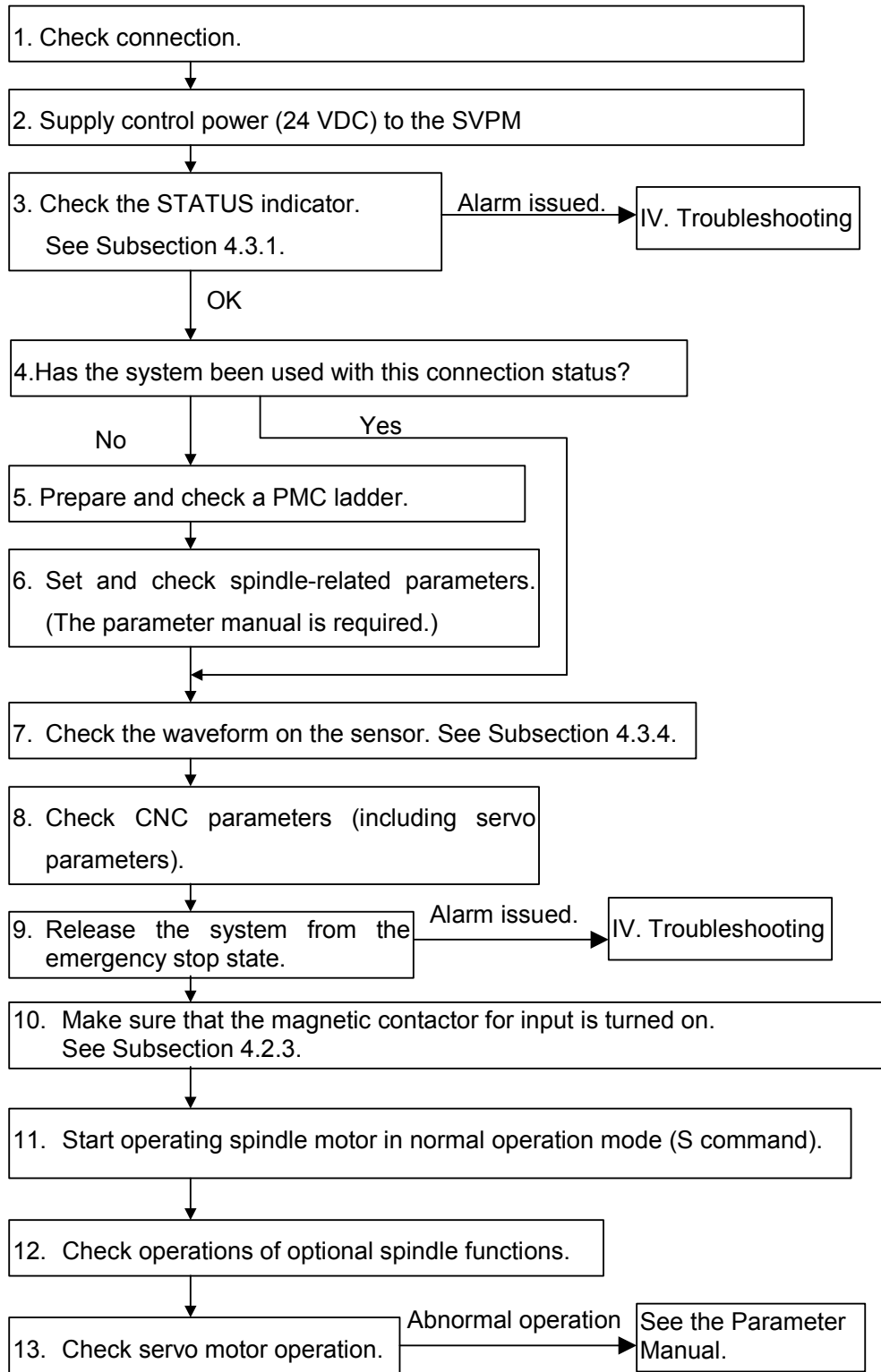


#### WARNING

Do not touch any component in the module or any connected cable when LED 19 is on, because it is dangerous.

## 4.1.2 Start-up Procedure

Check each item according to the procedure described below.



## 4.2 SVPM CONVERTER UNIT

### 4.2.1 Check Terminal on the Printed-circuit Board

The input current check signal is output to connector JX6. To observe the output, use the servo check pin board A06B-6071-K290 (see below).

**Table 4.2.1(a) Check pins**

Check pin	Description	Location of observation	Remark
IR	L1 phase (R-phase) current	JX6-pin1	The "+" sign with respect to the input of the amplifier. If the L1 or L2 phase current exceeds the overcurrent alarm level, an alarm condition occurs in the SVPM.
IS	L2 phase (S-phase) current	JX6-pin2	
0V	Reference point of observation	JX6-pin12,14,16	

**Table 4.2.1 (b) IR and IS current conversion value**

Model	Current conversion
SVPM-5.5i	133A/1V (2.5 V at the center)
SVPM-11i	133A/1V (2.5 V at the center)
SVPM-15i	200A/1V (2.5 V at the center)

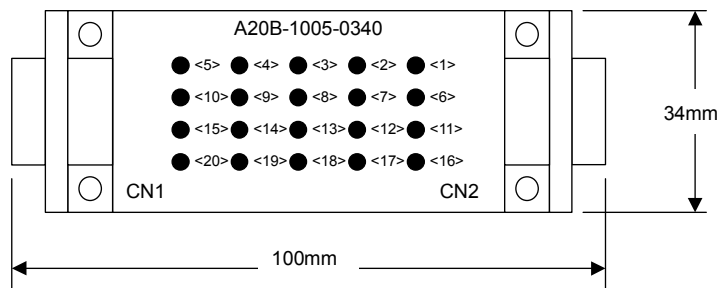
**About the servo check pin board A06B-6071-K290**

The servo check pin board can be used to observe signals in the SVPM.

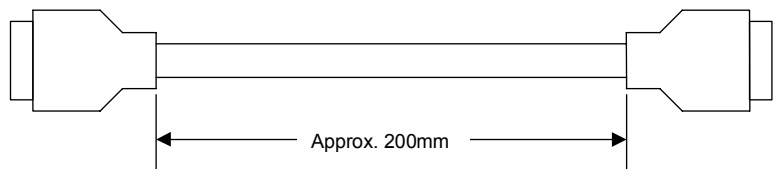
(1) Specification

Order specification	Description	Remark
A06B-6071-K290	Printed-circuit board A20B-1005-0340	Printed-circuit board with check pins mounted
	Cable A660-2042-T031#L200R0	20-conductor one-to-one cable Length : 200mm

Printed-circuit board : A20B-1005-0340



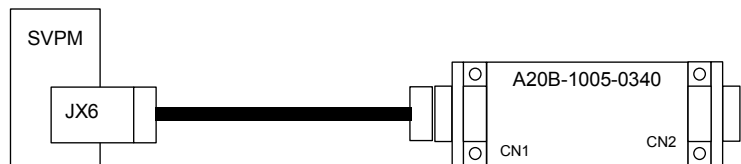
Cable : A660-2042-T031#L200R0



One-to-one wiring is provided between CN1 and CN2.  
The connector pin numbers correspond to the check pin numbers.

(2) Connection

Connect the cable to the connector JX6 at the front of the SVPM.



## 4.2.2 The LED (STATUS Indicator) Is Off.

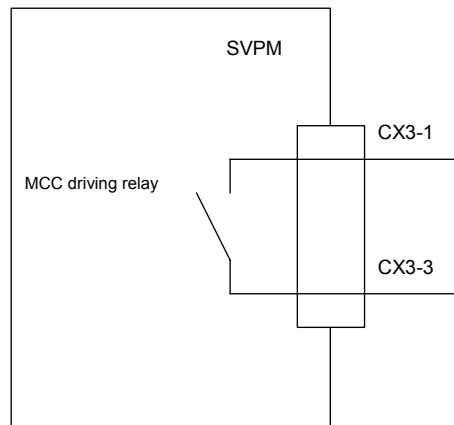
Table 4.2.2 Check method and action

No.	Cause of trouble	Check method	Action
1	24-VDC power for the control circuit not supplied	Check that power is connected to connector CXA2C.	
2	Blown fuse in the control circuit	Check whether FU1 has blown.	Replace the fuse. If the fuse blows again after the replacement, replace the printed circuit board.
3	Incorrect wiring	Check the wiring according to the Descriptions.	
4	Faulty power supply circuit on the printed circuit board	The LED indicator operates on the +5-V power supply. Check the control power voltage.	Replace the printed circuit board, driver board, or power distribution board.

### 4.2.3 Checking Method when Magnetic Contactor Is not Switched On

---

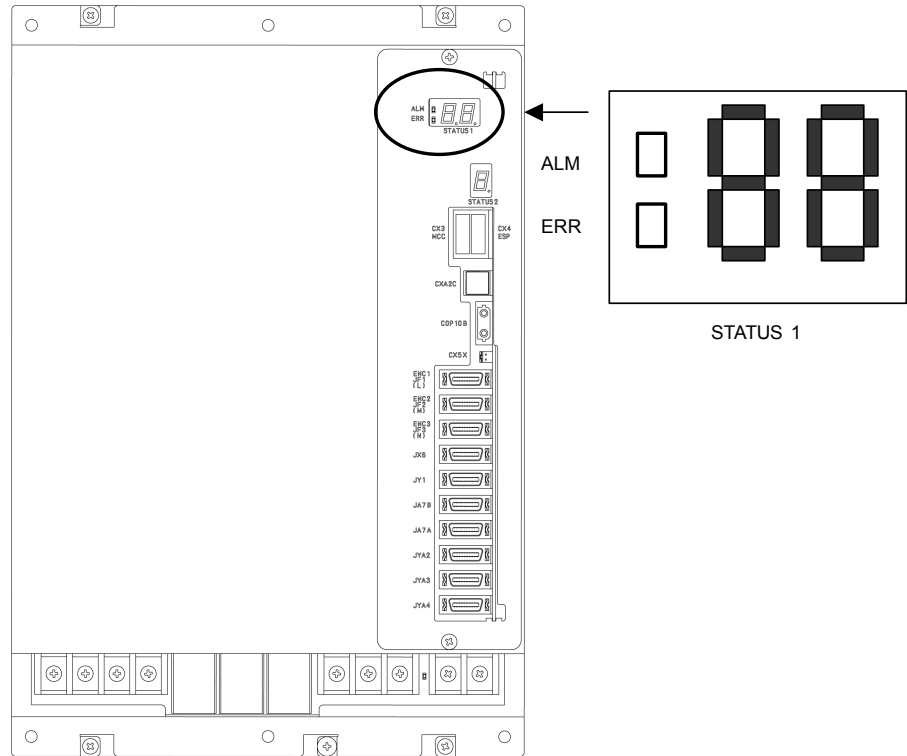
- (1) The system is still in an emergency stop status.  
→ Check the connection.
- (2) There is a connector problem.
  - (a) Check that the connectors are attached to correct locations.
- (3) The power for driving the magnetic contactor is not supplied.  
→ Check the voltage across the both ends of the coil of the magnetic contactor.
- (4) The relay for driving the magnetic contactor is defective.  
→ Check that a circuit between pins CX3-1 and CX3-3 of connector is closed and opened.



- (5) The SVPM is defective.  
→ Replace the defective SVPM.

## 4.3 SVPM SPINDLE UNIT

### 4.3.1 STATUS 1 Indicator



No.	ALM	ERR	STATUS	Description
1			No indication	The control power supply has not been switched on. The power supply circuit is defective.
2			50	For about 1.0 s after the control power supply is switched on, the lower two digits of the spindle software series No. are indicated. Example) 50: Software series No. 9D50
3			04	The spindle software edition number is displayed for about 1.0 s. 01, 02, 03, and so on correspond to A, B, C, and so on, respectively. Example) 04: software edition D
4			-- Blinking	The CNC has not been switched on. The machine is waiting for serial communication and parameter loading to end.
5			-- Lighting	Parameter loading has ended. The motor is not supplied with power.
6			00	The motor is supplied with power.
7	Lighting		01 or above is displayed.	Alarm state The SVPM is not operable. See Chapter 1 of Part IV.
8		Lighting	01 or above is displayed.	Error state Incorrect parameter setting or improper sequence.

## 4.3.2 Troubleshooting at Startup

### 4.3.2.1 The STATUS 1 indicator is blinking with "--."

- (1) When no spindle communication alarm message is indicated on the CNC  
Check whether the CNC software option setting or bit setting is correct.

- (2) When a communication alarm message is indicated on the CNC

No.	Cause of trouble	Check method	Action
1	The cable is incorrect.	Note that the cable used for connecting an electric/optical adapter and the cable connected directly to the CNC differ in specifications.	Replace the cable with a correct cable.
2	The cable is defective.	Check the connector housing section.	Repair or replace the cable.
3	The printed circuit board is defective.		Replace the unit.

### 4.3.2.2 The motor does not turn.

- (1) When "--" is indicated on the STATUS 1 indicator of the SVPM  
Check whether spindle control signals are input. (An example for the first spindle is shown below.)

FS0 <i>i</i>	#7	#6	#5	#4	#3	#2	#1	#0
G070	MRDYA		SFRA	SRVA				
G071							*ESPA	
G029		*SSTP						
G030	SOV7	SOV6	SOV5	SOV4	SOV3	SOV2	SOV1	SOV0

- (2) When "00" is indicated on the STATUS 1 indicator of the SVPM  
No spindle speed command is input.  
Refer to Chapter 1 in "FANUC AC SPINDLE MOTOR  $\alpha$ *i*/ $\beta$ *i* series Parameter Manual (B-65280EN)," and check related parameters.
- (3) When an alarm number is indicated on the STATUS 1 indicator of the SVPM  
See the description of the alarm number in Part IV.



### **4.3.2.3 A specified speed cannot be obtained.**

---

- (1) When the speed always differs from a specified speed  
Check parameters.  
Refer to Chapter 1 in "FANUC AC SPINDLE MOTOR  $\alpha$ i/ $\beta$ i series Parameter Manual (B-65280EN)," and check related parameters.
- (2) When an alarm number is indicated on the STATUS 1 indicator of the SVPM  
See the description of the alarm number in Part II.

### **4.3.2.4 When cutting is not performed, the spindle vibrates, making noise.**

---

- (1) The spindle vibrates only when the spindle speed has reached or is at a particular speed level.  
Check whether the spindle also vibrates when the motor is turning by inertia. If noise is unchanged, investigate the source of mechanical vibration. There are several methods to turn the spindle by inertia as explained below. Because these methods involve machine sequences, consult with the machine tool builder.
  - A. Input signal MPOF (FS0i: G73#2) to 1 immediately causes the spindle to turn by inertia.
  - B. Set ALSP (FS0i: bit 2 of parameter No. 4009) to 1. Then, when the power to the CNC is turned off during spindle rotation, the spindle turns by inertia. (On the spindle amplifier, Alarm 24 is indicated.)
- (2) When noise is generated at the time the motor is stopped or at any time
  - A. See Subsection 4.3.4 of this part, and check and adjust the waveform of the spindle sensor.
  - B. Check that the motor part number matches its parameters. For details, refer to Appendix A in "FANUC AC SPINDLE MOTOR  $\alpha$ i/ $\beta$ i series Parameter Manual (B-65280EN)."
  - C. Adjust the velocity loop gain and so forth. For details, refer to Chapter 1 in "FANUC AC SPINDLE MOTOR  $\alpha$ i/ $\beta$ i series Parameter Manual (B-65280EN)."

### **4.3.2.5 An overshoot or hunting occurs.**

---

Refer to Chapter 1 in "FANUC AC SPINDLE MOTOR  $\alpha$ i/ $\beta$ i series Parameter Manual (B-65280EN)," and adjust parameters.

### 4.3.2.6 Cutting power weakens or acceleration/deceleration slows down.

---

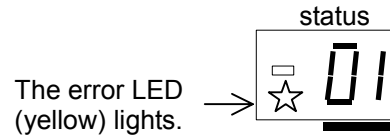
- (1) When the load meter does not indicate the maximum output
  - A. A mechanical cause such as a belt slip may occur.
- (2) When the load meter indicates the maximum output
  - A. Check whether the torque limit signal is input incorrectly.

FS0i	#7	#6	#5	#4	#3	#2	#1	#0
G070							TLMHA	TLMLA

- B. Check that the motor part number matches its parameters.  
For details, refer to Appendix A in "FANUC AC SPINDLE MOTOR  $\alpha i/\beta i$  series Parameter Manual (B-65280EN)."
- C. Check whether the output limit pattern is set incorrectly.  
For details, refer to Chapter 1 in "FANUC AC SPINDLE MOTOR  $\alpha i/\beta i$  series Parameter Manual (B-65280EN)."

### 4.3.3 Status Error Indication Function

When there is a sequence or parameter error, the error LED (yellow) in the STATUS 1 indicator of the SVPM goes on with an error code displayed. This can ease troubleshooting at the time of machine startup.



An error code is indicated. (from 01)

If the SVPM spindle unit does not operate for a particular function, check whether a status error is indicated in SVPM STATUS1.

No.	Description	Action
01	Although neither *ESP (emergency stop signal) (there are two types of signals, a PMC signal and PSM contact signal) nor MRDY (machine ready signal) has been input, SFR (forward rotation signal), SRV (reverse rotation signal), or ORCM (orientation command) is input.	Check the *ESP and MRDY sequences. For MRDY, pay attention to the parameter that specifies whether to use the MRDY signal (bit 0 of parameter No. 4001).
03	Although parameter settings are such that that there is no position sensor (position control is not to be performed, that is, bits 3, 2, 1, and 0 of parameter No. 4002 are, respectively, 0, 0, 0, and 0), a Cs axis contour control command has been issued. In this case, the motor is not activated.	Check setting of the parameter.
04	Although parameter settings are such that that there is no position sensor (position control is not to be performed, that is, bits 3, 2, 1, and 0 of parameter No. 4002 are, respectively, 0, 0, 0, and 0), a servo mode (such as rigid tapping or Cs axis control) command or spindle synchronization control command has been issued. In this case, the motor is not activated.	Check setting of the parameter.
05	Although optional parameter for the orientation function is not set, an ORCM (orientation command) is input.	Check setting of the parameter for orientation.
06	Although optional parameter for the output switching option is not set, low-speed winding is selected (RCH = 1).	Check setting of the parameter for output switching and the power line status signal (RCH).
07	Although Cs contour control mode is input, neither SFR (forward rotation signal) nor SRV (reverse rotation signal) is input.	Check the sequence.
08	Although servo mode (such as rigid tapping or Cs axis control) control command is input, neither SFR (forward rotation signal) nor SRV (reverse rotation signal) is input.	Check the sequence.

4.CONFIRMATION OF THE OPERATION START-UP PROCEDURE FOR  $\beta$ i SVPM B-65325EN/01

No.	Description	Action
10	Although Cs contour control command is input, another operation mode (servo mode, spindle synchronization, or orientation) is specified.	Do not specify another mode during execution of the Cs contour control command. Before entering another mode, cancel the Cs contour control command.
11	Although servo mode (such as rigid tapping or spindle positioning) is input, another operation mode (Cs contour control, spindle synchronization, or orientation) is specified.	Do not specify another mode during execution of the servo mode command. Before entering another mode, cancel servo mode.
12	Although spindle synchronization is input, another operation mode (Cs contour control, servo mode, or orientation) is specified.	Do not specify another mode during execution of the spindle synchronization command. Before entering another mode, cancel the spindle synchronization command.
13	Although orientation specification is input, another operation mode (Cs contour control, servo mode, or synchronization control) is specified.	Do not specify another mode during execution of the orientation command. Before entering another mode, cancel the orientation command.
14	The SFR (forward rotation signal) and SRV (reverse rotation signal) are input at the same time.	Input one of the SFR and SRV signals.
17	The parameter settings for the speed detector (bits 2, 1, and 0 of parameter No. 4011) are invalid. There is no speed detector that matches the settings.	Check the setting of the parameter.
18	Although parameter settings are such that there is no position sensor (position control is not to be performed, that is, "bits 3, 2, 1, and 0 of parameter No. 4002 are, respectively, 0, 0, 0, and 0," a position coder-based orientation command has been issued.	Check the setting of the parameter and the input signal.
24	Although continuous indexing in position coder-based orientation is to be performed, an absolute position command (INCMD = 0) has been issued after incremental operation (INCMD = 1).	Check the INCMD (incremental command). Be sure to perform absolute position command-based orientation before an absolute position command.
29	Parameter settings are such that the shortest-time orientation function is to be used (bit 6 of parameter No. 4018 is 0 and parameter Nos. 4320 to 4323 are nonzero).	The shortest-time orientation function cannot be used in the $\beta$ i series SVPM. Use a different type of orientation.
31	This hardware configuration does not support the use of the spindle FAD function. In this case, the motor is not activated.	Check the CNC model.

### 4.3.4 Checking the Feedback Signal Waveform

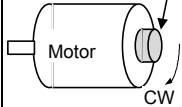
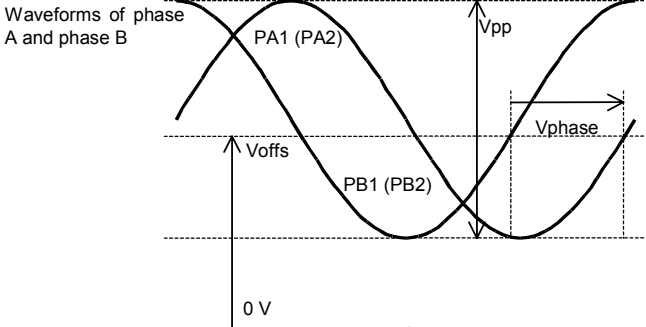
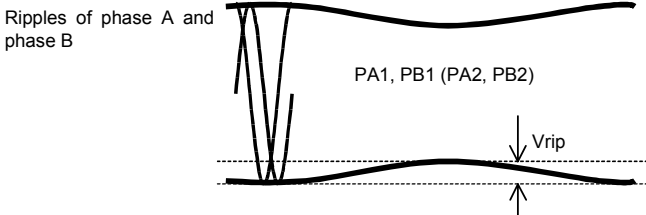
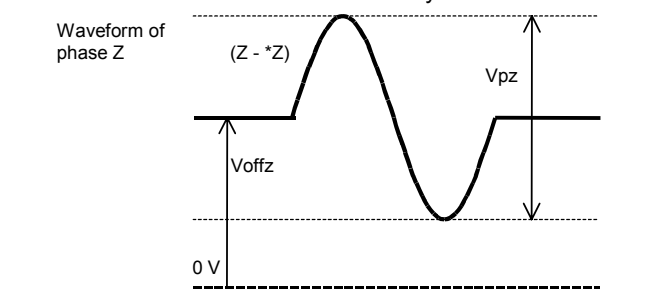
The measurement locations and the method for attaching connectors vary depending on the configuration of the detector. Check the waveform while seeing Table 4.3.4. The check terminals are on the check board.

**Table 4.3.4(a) Signals input to the SVPM and corresponding check terminals on the spindle check board**

Check terminal name	SVPM input signal (connector name-pin No.)	Main sensors	Remarks
<b>PA1</b> <b>PB1</b>	JYA2-pin5,6 JYA2-pin7,8	$M_i$ and $MZ_i$ sensors	
<b>PS1</b>	JYA2-pin1,2	$MZ_i$ sensor (one-rotation signal)	
<b>EXTSC1</b>	JYA3-pin15	Proximity switch (external one-rotation signal)	

For the  $\alpha$  position coder, observe the SVPM input signal directly, using the servo check pin board A06B-6071-K290.

### 4.3.4.1 $M_i$ and $MZ_i$ sensors

Measurement location	Measurement condition	Sample waveform
PA1, PB1	<p>The speed must be <math>1500 \text{ min}^{-1}</math> or less.</p> <p>Rotation direction: CW Detection gear</p> 	<p>Waveforms of phase A and phase B</p>  <p>Ripples of phase A and phase B</p>  <p>For <math>MZ_i</math> sensor only</p> <p>Waveform of phase Z</p> 

Measurement item	Specification	Measurement method	Adjustment method
$V_{pp}$	$0.5 \text{ to } 1.2 V_{p-p}$		Normally, the $M_i$ and $MZ_i$ sensors need not be adjusted. For $V_{offs}$ and $V_{offz}$ , only level check is possible, but adjustment is not possible.
$V_{offs}, V_{offsZ}$	$2.5 \text{ V} \pm 100 \text{ mV}$	Use the DC range of a digital voltmeter.	
$V_{phase}$	$90 \pm 3^\circ$		
$V_{rip}$	$< 70 \text{ mV}$		
$V_{pz}$	$> 0.5 \text{ V}$		

## 4.3.5 Spindle Check Board

When connecting the spindle check board, you can:

- <1> Observe signal waveforms.
- <2> Observe internal data.
- <3> Check spindle parameter values.

### 4.3.5.1 Spindle check board specifications

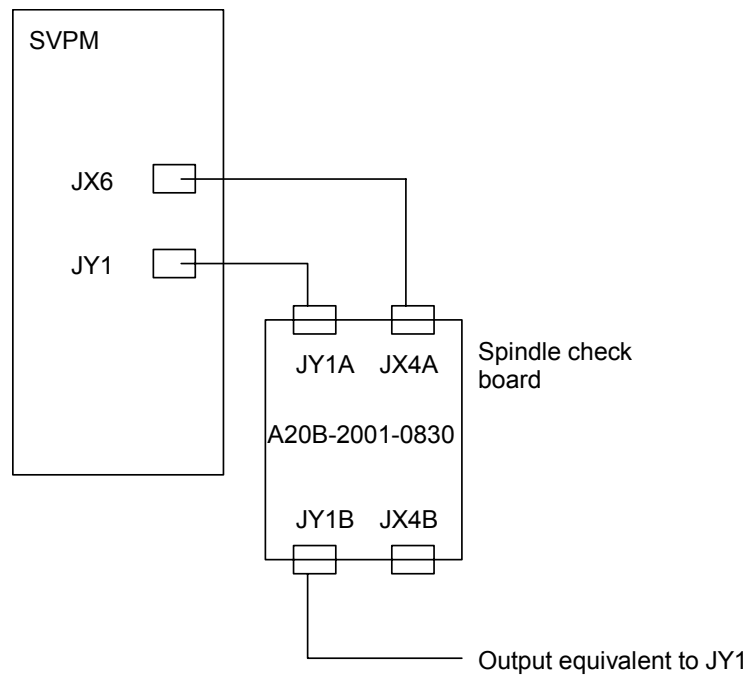
Spindle check board specifications is bellow.

**Table 4.3.5.1 Spindle check board specifications**

Specification	Drawing No. of printed circuit board	Applicable unit
A06B-6078-H001	A20B-2001-0830	$\beta$ i series SVPM

### 4.3.5.2 Spindle check board connection

(1)  $\beta$ i series



### 4.3.5.3 Check terminal output signals

(1)  $\beta i$  series SVPM #A (Type A)

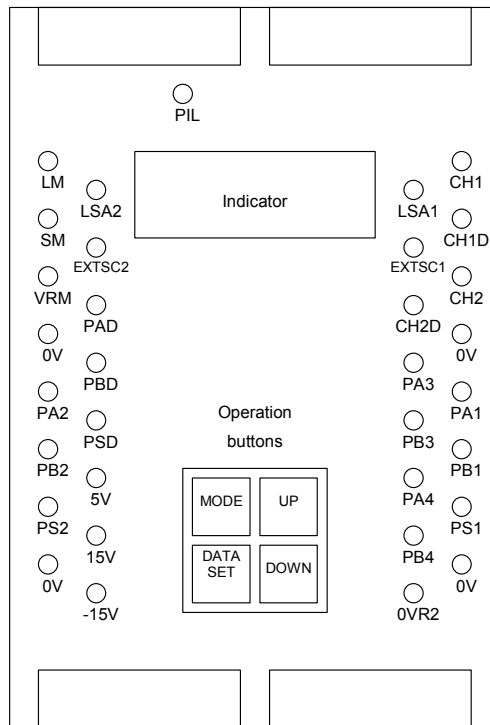
Check terminal	Signal name	Check terminal	Signal name
LM	Load meter signal	PA1	Phase A sine wave signal 1
SM	Speedometer signal	PB1	Phase B sine wave signal 1
CH1	Analog output for internal data observation (Phase U current: IU)	PS1	Phase Z sine wave signal 1
CH2	Analog output for internal data observation (Motor speed TSA: 1638 min <sup>-1</sup> /V)	PA2	Disuse
CH1D	Output for internal data bit observation	PB2	Disuse
CH2D	Output for internal data bit observation	PS2	Disuse
VRM	Disuse	PA3	Disuse
LSA1	Disuse	PB3	Disuse
EXTSC1	External one-rotation signal (MAIN)	PA4	Disuse
LSA2	Disuse	PB4	Disuse
EXTSC2	Disuse	OVR2	Analog override command
PAD	Disuse	15V	Disuse
PBD	Disuse	5V	+5 VDC power check
PSD	Disuse	-15V	Disuse
		GND	0 V

(2)  $\beta i$  series SVPM #C (Type C)

Check terminal	Signal name	Check terminal	Signal name
LM	Speedometer signal (This can be switched to the load meter signal by parameter setting.)	PA1	Disuse
SM	Disuse	PB1	Disuse
CH1	Analog output for internal data observation (Phase U current: IU)	PS1	Disuse
CH2	Analog output for internal data observation (Estimated motor speed : 1638 min <sup>-1</sup> /V)	PA2	Disuse
CH1D	Output for internal data bit observation	PB2	Disuse
CH2D	Output for internal data bit observation	PS2	Disuse
VRM	Disuse	PA3	Disuse
LSA1	Disuse	PB3	Disuse
EXTSC1	Disuse	PA4	Disuse
LSA2	Disuse	PB4	Disuse
EXTSC2	Disuse	OVR2	Analog override command
PAD	Disuse	15V	Disuse
PBD	Disuse	5V	+5 VDC power check
PSD	Disuse	-15V	Disuse
		GND	0 V



Check terminal arrangement



## 4.3.6 Observing Data Using the Spindle Check Board

### 4.3.6.1 Overview

By using the spindle check board, you can convert digital values used for spindle control in the SVPM to analog voltage, and observe the conversion result with an oscilloscope. For internal data observation, you can use CH1 and CH2 (output: -5 to +5 V) as the two-channel analog output, and CH1D and CH2D as the output for checking specific bits of bit data or the like. You can also view internal data on the five-digit indicator.

### 4.3.6.2 Major characteristics

Item		
Measurement point	CH1, CH2	CH1D, CH2D
Output voltage range	-5 to +5 V	H: 2 Vmin L: 0.8 Vmax
Resolution	About 39 mV (10 V/256)	-
Input impedance for external measuring equipment	10 k $\Omega$ min	10 k $\Omega$ min

### 4.3.6.3 Observation method

By setting data using four DIP switches on the spindle check board, you can output internal data to the five-digit indicator, analog voltage output circuit, channels 1 and 2 (LM and SM or CH1 and CH2).

Data on channels 1 and 2 is the one from an 8-bit D/A converter.

The correspondence between channel 1/2 and the check terminal is listed below.

Measurement point	Check terminal
Channel 1	CH1 CH1D, data bit 0
Channel 2	CH2 CH2D, data bit 0

### 4.3.6.4 Specifying data to be monitored

---

- <1> Press the four setting switches at the same time for at least a second. "FFFFF" will be displayed on the indicator.
- <2> Turn off the switches and press the "MODE" switch. "d-00" will be displayed on the indicator and the system will enter the mode for monitoring internal data.
- <3> In this mode, the motor can be operated normally.  
Press the "UP" or "DOWN" switch while holding down the "MODE" switch. The indicator display will change in the range of "d-00" to "d-12".
- <4> The following shows the correspondence between the destinations of the internal data of the spindle and addresses d-01 to d-12.
  - d-01 to d-04: Specifies the amount of data to be output to the indicator, data shift, and output format (decimal or hexadecimal).
  - d-05 to d-08: Specifies the amount of data to be output to the channel 1, data shift, and whether an offset is provided.
  - d-09 to d-12: Specifies the amount of data to be output to the channel 2, data shift, and whether an offset is provided.
- <5> Select address d-xx in the procedure for setting data described in <3>.
- <6> Turn off the "MODE" switch. "d-xx" will disappear 0.5 second later, and the data will be displayed for a second.  
Change the set data using the "UP" or "DOWN" switch within the second the data is displayed.
- <7> When more than a second elapses without pressing the "UP" or "DOWN" switch, data cannot be changed.  
If the "MODE" switch is turned on or off, however, setting can be started from the beginning of the step in item <6>.

### 4.3.6.5 Address descriptions and initial values (SVPM)

[Output to the indicator]

Address	Description	Initial value
d-01	Specifies a data number.	0
d-02	Shift at data output (0 to 31 bits)	0
d-03	Data shift direction 0 : Data is shifted right. 1 : Data is shifted left.	0
d-04	Display format 0 : Decimal notation 1 : Hexadecimal notation (0 to F)	0

[Output to the channel 1]

Address	Description	Initial value
d-05	Specifies a data number	218 (U-phase current)
d-06	Shift at data output (0 to 31 bits)	8
d-07	Data shift direction 0 : Data is shifted right 1 : Data is shifted left	0
d-08	Offset 0 : Not provided 1 : Provided	1

[Output to the channel 2]

Address	Description	Initial value
d-09	Specifies a data number	19 (Motor velocity)
d-10	Shift at data output (0 to 31 bits)	18
d-11	Data shift direction 0 : Data is shifted right 1 : Data is shifted left	0
d-12	Offset 0 : Not provided 1 : Provided	1

### 4.3.6.6 Principles in outputting the internal data of the serial spindle

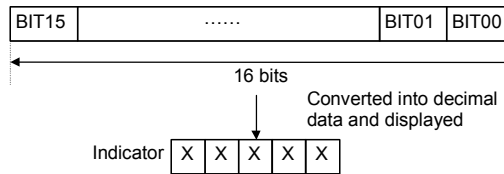
The length of data is 32 bits (BIT31 TO BIT00) unless it is described as 16 bits.



#### (1) Example of output to the indicator

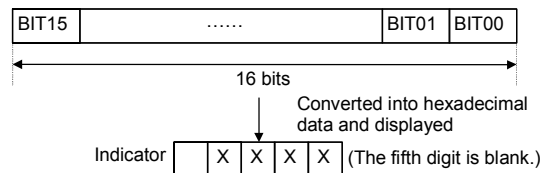
Example 1 Displaying data in decimal

When the number of digits to shift data (d-02)=0 and display format (d-04)=0 (decimal notation): The last 16 bits of data (BIT15 to BIT00) are converted into decimal (0 to 65535 max.) and displayed.



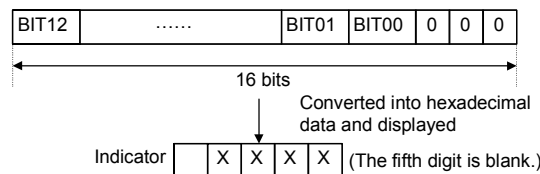
Example 2 Displaying data in hexadecimal

When the number of digits to shift data (d-02)=0 and display format (d-04)=1 (hexadecimal notation): The last 16 bits of data (BIT15 to BIT00) are converted into hexadecimal (0 to FFFFF max.) and displayed.



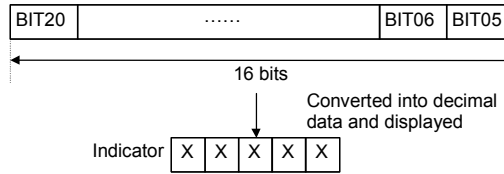
Example 3 Shifting data left

When the number of digits to shift data (d-02)=3, the shift direction is left (d-03=1), and display format (d-04)=1 (hexadecimal notation): Data in BIT12 to BIT00 and the last three bits of data (=0) are converted into hexadecimal (0 to FFFFF max.) and displayed.



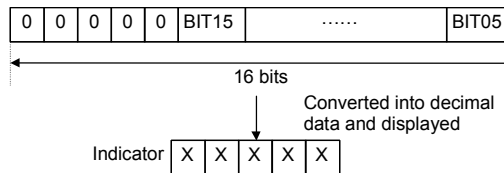
**Example 4 Shifting data right**

When the number of digits to shift data (d-02)=5, shift direction is right (d-03=0), and display format (d-04)=0 (decimal notation): Data in BIT20 to BIT05 is converted into decimal (0 to 65535 max.) and displayed.



**Example 5 Shifting data right when the data length is 16 bits**

When the data length is 16 bits, data shift (d-02)=5, shift direction is right (d-03=0), and display format is decimal notation (d-04=0): The first five bits of data and data in BIT15 to BIT05 are converted into decimal and displayed.



## (2) Example of output to the channel 1

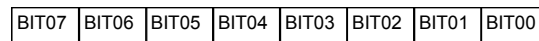
Internal data is output to channel 1 by setting it in an 8-bit D/A converter.

The D/A converter output ranges from -5 to +5 V, depending on a set value of internal data. See the table below.

Internal data in binary (decimal)	Setting d-08 (whether there is offset)	Output on channel 1
00000000 (0)	0	-5V
11111111 (255)	0	+4.96V
10000000 (-128)	1	-5V
00000000 (0)	1	0V
01111111 (127)	1	+4.96V

### Example 1 Data set

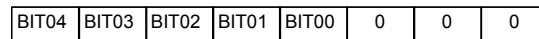
When the number of digits to shift data (d-06)=0 and when no offset is provided (d-08=0): The last eight bits of data (BIT07 to BIT00) is set in the D/A converter of the LM terminal.



Set in the D/A converter for channel 1 output

### Example 2 Shifting data left

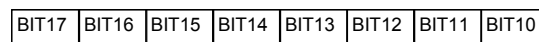
When the number of digits to shift data (d-06)=3, shift direction is right (d-07=1), and no offset is provided (d-08=0): Data in BIT14 to BIT00 and the last three bits of data (=0) are set in the D/A converter.



Set in the D/A converter for channel 1 output

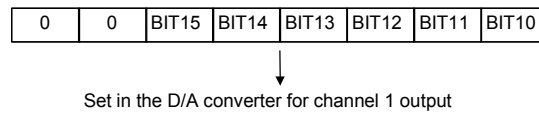
### Example 3 Shifting data right

When the number of digits to shift data (d-06)=10, shift direction is right (d-07=1), and no offset is provided (d-08=0): Data in BIT17 to BIT10 is set in the D/A converter.

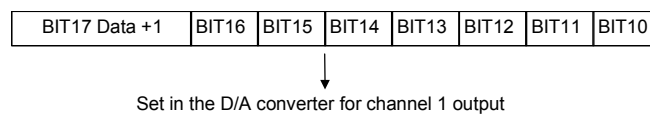


Set in the D/A converter for channel 1 output

**Example 4** Shifting data right when the data length is 16 bits  
 When the data length is 16 bits, data shift (d-06)=10, shift direction is right (d-07=0), and no offset is provided (d-08=0): The first two bits of data (=0) and data in BIT15 to BIT10 are set in the D/A converter.



**Example 5** If an offset is provided  
 When the number of digits to shift data (d-06)=10, shift direction is right (d-07=0), and an offset is provided (d-08=1): Data in most significant bit BIT17 (to which 1 is added) and data in BIT16 to BIT10 are set in the D/A converter.



**Example 6** Data bit observation  
 For data shift (d-06) = 0 with no offset (d-08 = 0), the lowest data bit (BIT00) can be observed as a high/low level at check terminal CH1D.



**(3) Example of output to the channel 2**

Output to the channel 2 is the same as that to the channel 1. However, the addresses for setting data (d-09 to d-12) are different from those for output to the channel 1.  
 Setting velocity information in the channel 1 and the number of errors in the channel 2 enables simultaneous monitoring of the change in each data item using the two channels.



### 4.3.6.7 Data numbers

#### (1) Data numbers

Data No.	Description	Data length	Remarks
Main data			
16	Motor speed command	32	The 12th bit (BIT12) indicates a units in $\text{min}^{-1}$ .
19	Motor speed	32	The 12th bit (BIT12) indicates a units in $\text{min}^{-1}$ . (An estimated value is used for the $\beta_i$ SVPM Type C.)
25	Motor speed deviation	32	(Speed command - motor speed) The 12th bit (BIT12) indicates a units in $\text{min}^{-1}$ .
4	Move command	32	Number of command pulses for ITP (usually 8 ms)
9	Positioning error	32	Number of erroneous pulses (Spindle synchronous control, Cs contour control, rigid tapping mode)
90	Torque command	16	0 to $\pm 16384$
131	Speedometer data	16	SM terminal
132	Load meter data	16	LM terminal
136	Position error	32	Number of erroneous pulses (position coder orientation)
Data between the spindle and CNC			
5	Speed command data	16	$\pm 16384$ for the maximum speed command
6	Spindle control signal 1	16	See the command signal from the PMC to spindle in (3).
10	Load meter data	16	+32767 for maximum output
11	Motor speed data	16	$\pm 16384$ for maximum speed
12	Spindle status signal 1	16	See the status signal from the spindle to PMC in (3).
66	Spindle control signal 2	16	See the command signal from the PMC to spindle in (3).
182	Spindle status signal 2	16	See the status signal from the spindle to PMC in (3).
Other data			
218	Phase U current (A/D conversion data)	16	10 V/FS by shifting 8 bits left
219	Phase V current (A/D conversion data)	16	
162	DC link voltage	16	1000 V/FS by shifting 8 bits left

#### (2) Internal data conversion

Data No.	Signal name	Description (All are voltage values on check pins when the shift amount is 8.)	
218	IU	Phase U current	The current is positive when it is input to the amplifier. (*1)
219	IV	Phase V current	
162	VDC	DC link voltage signal 100V/1V	

\*1 Current conversion result for channels 218 and 219

Model	Conversion result
SVPM-5.5i	16.7A/1V
SVPM-11i	33.3A/1V
SVPM-15i	50.0A/1V

- (3) About the spindle control and spindle status signals  
 Shown below are the data numbers for the PMC signals used by the spindle and the configuration of each data item. Refer to Chapter 3, "PMC Signals (CNC  $\leftrightarrow$  PMC)" of "FANUC AC SPINDLE MOTOR  $\alpha$ i/ $\beta$ i series PARAMETER MANUAL" (B-65280EN) for explanations about each signal.

**NOTE**  
 The SVPM does not support all of the following bits:

(a) Data number 6 : Spindle control signal 1

#15	#14	#13	#12	#11	#10	#9	#8
RCH	RSL	INTG	SOCN	MCFN	SPSL	*ESP	ARST
#7	#6	#5	#4	#3	#2	#1	#0
MRDY	ORCM	SFR	SRV	CTH1	CTH2	TLMH	TLML

(b) Data number 66 : Spindle control signal 2

#15	#14	#13	#12	#11	#10	#9	#8
			DSCN	SORSL	MPOF		
#7	#6	#5	#4	#3	#2	#1	#0
RCHHG	MFNHG	INCMD	OVR		NRRO	ROTA	INDX

(c) Data number 12 : Spindle status signal 1

#15	#14	#13	#12	#11	#10	#9	#8
				RCFN	RCHP	CFIN	CHP
#7	#6	#5	#4	#3	#2	#1	#0
ORAR	TLM	LDT2	LDT1	SAR	SDT	SST	ALM

(d) Data number 182 : Spindle status signal 2

#15	#14	#13	#12	#11	#10	#9	#8
#7	#6	#5	#4	#3	#2	#1	#0
			EXOF	SOREN		INCST	PC1DT

### 4.3.6.8 Example of observing data

(1) Example of observing a positioning error using the channel 1

Address	Description	Set Data			
d-05	Data number	9	9	9	9
d-06	Data shift	0	0	1	2
d-07	Data shift direction	0	0	1	1
d-08	Offset	1	0	1	1
Data unit <sup>(Note)</sup>		256p/FS	512p/FS	128p/FS	64p/FS

**NOTE**  
FS=10V (-5V to 5V)

(2) Example of observing a motor speed using the channel 2

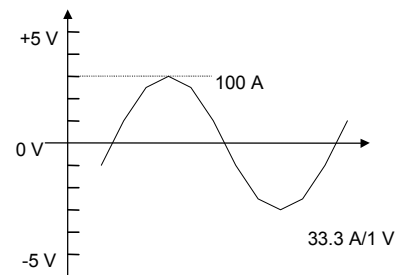
Address	Description	Set Data		
d-09	Data number	19	19	19
d-10	Data shift	12	13	11
d-11	Data shift direction	0	0	0
d-12	Offset	0	0	0
Data unit <sup>(Note)</sup>		256min <sup>-1</sup> /FS	512min <sup>-1</sup> /FS	128 min <sup>-1</sup> /FS

**NOTE**  
FS=10V (-5V to 5V)

(3) Observation of phase U current in the SVPM\*-11i

Setting of observation data

Data No.	218
Shift amount	8
Shift direction	0 (shifted left)
Offset	1 (provided)



## **4.3.7 Checking Parameters Using the Spindle Check Board**

---

### **4.3.7.1 Overview**

---

By using the spindle check board, you can check parameter values transferred to the SVPM. Specify parameter numbers using the four setting switches on the check board, and check parameter values on the five-digit indicator.

### **4.3.7.2 Checking parameters**

---

- <1> Press the four setting switches at the same time for at least one second. "FFFFF" will be displayed on the indicator.
- <2> Turn off the switches and press the "MODE" switch. "d-00" will be displayed on the indicator and the system will enter the mode for measuring internal data.
- <3> With "0" set for "d-00", press the "MODE" and "DATA SET" switches at the same time for at least one second. "CCCCC" will be displayed on the indicator.
- <4> Turn off the switches and press the "MODE" switch. "F-xxx" will be displayed on the indicator and the system will enter the mode for checking spindle parameters (F-mode). (Even in this mode, the motor can be operated normally.)
- <5> Press the "UP" or "DOWN" switch while holding down the "MODE" switch (with "F-xxx" displayed). The number of "F-xxx" increases or decreases. Set the internal number of a parameter you want to check. For correspondences between the parameter internal numbers and NC parameter numbers, see the parameter list in the appendix to the parameter manual.
- <6> Turn off the switches. The parameter value corresponding to the set internal number is displayed for about one second. (Bit parameter values are displayed in hexadecimal.)

## 4.3.8 Observing Data Using the SERVO GUIDE

---

### 4.3.8.1 Overview

---

Using the servo adjustment tool, SERVO GUIDE, enables you to observe internal data for the spindle.

This subsection describes the spindle data that can be observed using the SERVO GUIDE. It also presents examples of observed data. Refer to online help for detailed explanations about how to use the SERVO GUIDE.

### 4.3.8.2 Usable series and editions

---

Series 9D50/G(07) and subsequent editions

### 4.3.8.3 List of spindle data that can be observed using the SERVO GUIDE

---

The following table lists the spindle data that can be observed using the SERVO GUIDE.

Data type	Description
SPEED	Motor speed
INORM	Motor current amplitude
TCMD	Torque command
VCMD	Motor speed command
VERR	Speed deviation
WMDAT	Move command for an individual position loop
PERR1	Position error 1
ORERR	Position error at orientation
PCPOS	Cumulative position feedback value
MCMD	Move command for an individual communication cycle
PERR2	Position error 2
CSPOS	Cumulative position feedback value
SPCMD	Speed command data from the CNC
SPCT1	Spindle control signal 1
SPCT2	Spindle control signal 2
SPST1	Spindle status signal 1
SPST2	Spindle status signal 2
ORSEQ	Orientation sequence data

### 4.3.8.4 About the spindle control and spindle status signals

As stated in the previous item, the SERVO GUIDE can be used to observe the PMC signals (spindle control signals 1 and 2 and spindle status signals 1 and 2) used by the spindle.

Listed below is the data configuration for spindle control signals 1 and 2 and spindle status signals 1 and 2. Refer to Chapter 3, "Input/Output Signals (CNC  $\leftrightarrow$  PMC)" of "FANUC AC SPINDLE MOTOR  $\alpha$ i/ $\beta$ i series PARAMETER MANUAL" (B-65280EN) for explanations about each signal.

(a) Spindle control signal 1 (SPCT1)

#15	#14	#13	#12	#11	#10	#9	#8
RCH	RSL	INTG	SOCN	MCFN	SPSL	*ESP	ARST
#7	#6	#5	#4	#3	#2	#1	#0
MRDY	ORCM	SFR	SRV	CTH1	CTH2	TLMH	TLML

(b) Spindle control signal 2 (SPCT2)

#15	#14	#13	#12	#11	#10	#9	#8
			DSCN	SORSL	MPOF		
#7	#6	#5	#4	#3	#2	#1	#0
RCHHG	MFNHG	INCMD	OVR		NRRO	ROTA	INDX

(c) Spindle status signal 1 (SPST1)

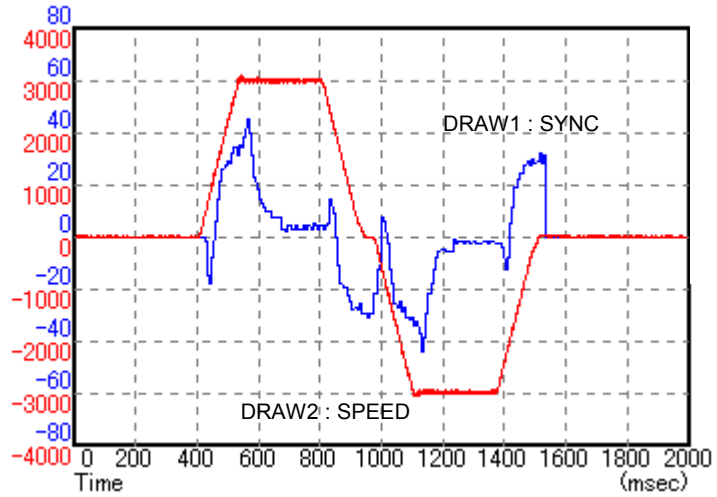
#15	#14	#13	#12	#11	#10	#9	#8
				RCFN	RCHP	CFIN	CHP
#7	#6	#5	#4	#3	#2	#1	#0
ORAR	TLM	LDT2	LDT1	SAR	SDT	SST	ALM

(d) Spindle status signal 2 (SPST2)

#15	#14	#13	#12	#11	#10	#9	#8
#7	#6	#5	#4	#3	#2	#1	#0
			EXOF	SOREN		INCST	PC1DT

### 4.3.8.5 Example of observing data

The following figure shows an example of data (synchronization error and motor speed at rigid tapping) observed using the SERVO GUIDE.

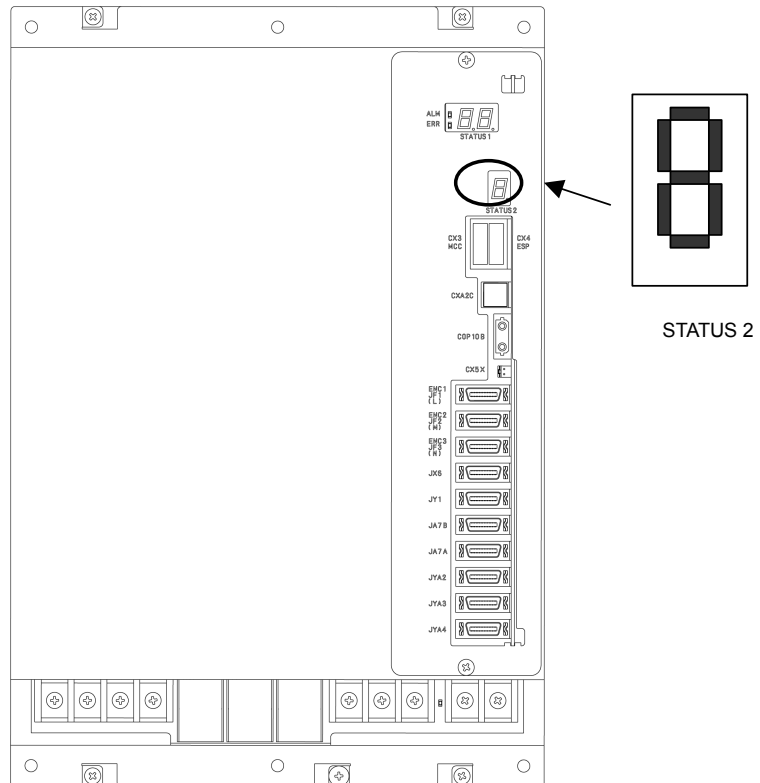


DRAW1 : SYNC (synchronization error) <sup>(\*)</sup>  
 DRAW2 : SPEED (motor speed)

\*1 The synchronization error is servo axis output data.

## 4.4 SVPM SERVO UNIT

### 4.4.1 Checking the STATUS 2 Indicator



STATUS display	Description
	<ul style="list-style-type: none"> <li>The STATUS 2 display LED is not on.                             <ul style="list-style-type: none"> <li>&lt;1&gt; Power is not turned on.</li> <li>&lt;2&gt; Poor cable connection → Check the cable.</li> <li>&lt;3&gt; The SVPM is defective. → Replace the fuse (FU1) or servo amplifier.</li> </ul> </li> </ul>
	<ul style="list-style-type: none"> <li>The control power supply is waiting for a ready signal.</li> </ul>
	<ul style="list-style-type: none"> <li>The servo unit is ready to operate. The servo motor is supplied with power.</li> </ul>
	<ul style="list-style-type: none"> <li>Alarm state If an alarm is issued in the servo unit, a value other than "0" and "-" is indicated on the STATUS display LED. See Section 3.2 of Part IV.</li> </ul>



## 4.4.2 VRDY-OFF Alarm Indicated on the CNC Screen

When the VRDY-OFF alarm is indicated on the CNC, check the items listed below. In addition, VRDY-OFF can occur also for reasons other than listed below. If the following items turn out to have not caused VRDY-OFF, check diagnosis information No. 358 (V ready-off information) on the diagnosis screen and report it to FANUC.

- (1) Emergency stop signal (ESP)  
Has the emergency stop signal (connector: CX4) applied to the SVPM been released? Alternatively, is the signal connected correctly?
- (2) MCON signal  
Hasn't setting up the axis detach function disabled the transmission of the ready command signal MCON from the CNC to the SVPM?
- (3) SVPM control printed-circuit board  
The SVPM control printed-circuit board may be poorly installed or faulty. Be sure to push the faceplate as far as it will go. If the problem persists, replace the control printed-circuit board.

Checking diagnosis information (DGN) No. 358 makes it possible to analyze the cause of the VRDY-OFF alarm.  
(Supported servo software: Series 90B0/D(04) and subsequent editions)  
All NCs do not support this function.

Diagnosis	<b>358</b>	<b>V ready-off information</b>
-----------	------------	--------------------------------

Convert the displayed value to binary form, and check bits 5 to 14 of the resulting binary number.  
When the servo amplifier starts working, these bits become 1 sequentially, starting at bit 5. When the servo amplifier has started normally, all of bits 5 to 14 become 1.  
Check bits 5 to 14 sequentially, starting at the lowest-order bit. The first lowest bit that is not 0 corresponds to the processing that caused the V ready-off alarm.

#15	#14	#13	#12	#11	#10	#9	#8
	SRDY	DRDY	INTL	RLY	CRDY	MCOFF	MCONA
#7	#6	#5	#4	#3	#2	#1	#0
MCONS	*ESP	HRDY					

- #06(\*ESP) : Emergency stop signal
- #07,#08,#09 : MCON signal (CNC → amplifier → converter)
- #10(CRDY) : Converter preparation completed signal
- #11(RLY) : Relay signal (DB relay energized)
- #12(INTL) : Interlock signal (DB relay de-energized)
- #13(DRDY) : Amplifier preparation completed signal

### 4.4.3 Method for Observing Motor Current

This subsection explains how to observe the current that flows through the servo motor.

#### Method of using the SERVO GUIDE

Refer to online help for explanations about how to connect to and use the servo adjustment tool, SERVO GUIDE.

Supported servo software:

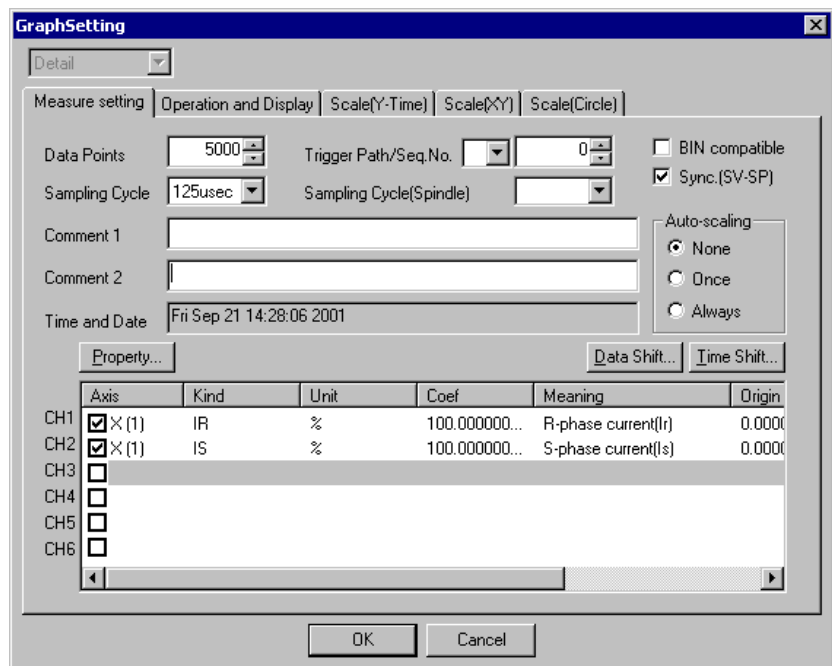
Series 90B0/L(12) and subsequent editions

Series 9096/C(03) and subsequent editions

All NCs do not support this function.

#### - Setting

Select an axis to be subjected to measurement in graph window channel setting. Also select IR and IS under Kind. Under Coef (conversion coefficient), set the maximum allowable current (Ap) for the amplifier in use.



#### NOTE

- 1 In servo software series 90B0, the motor current sampling cycle depends on the current control cycle.
- 2 Servo software series 9096 supports setting of a motor current sampling period of 1 ms only.

#### - Display

Select the XTYT mode from the graph window mode (M) menu to display waveforms.

## Method of using the servo check board

For details on how to connect and use the servo check board, refer to the following:

Section 4.18 in the FANUC AC SERVO MOTOR  $\alpha$ s/ $\alpha$ i/ $\beta$ is series Parameter Manual (B-65270EN)

### - Required units

- Servo check board  
A06B-6057-H630
- Oscilloscope

### - Settings

#### • CNC setting

Parameter setting for servo software series 90B0

Output channel	Data number <b>5</b>		Data number <b>6</b>	
	No.2115	No.2151	No.2152	No.2153
FS16i/18i/21i/0i/PMi				
<b>Measurement axis/ current phase</b>	IR		IS	
L-axis <sup>(Note 1)</sup>	370	0	402	0
M-axis <sup>(Note 1)</sup>	2418	0	2450	0

Parameter setting for servo software series 9096

Output channel	Data number <b>5</b>	Data number <b>6</b>
	No.2115	No.2115
FS16i/18i/21i/0i/PMi		
<b>Measurement axis/ current phase</b>	IR	IS
L-axis <sup>(Note 1)</sup>	370	402
M-axis <sup>(Note 1)</sup>	1010	1042

When series 9096 is used, if no axis is paired with the measurement axis <sup>(Note 2)</sup>, IR and IS cannot be observed simultaneously.

#### NOTE

- 1 The L-axis is an axis identified with an odd number set in parameter No. 1023. The M-axis is an axis identified with an even number set in parameter No. 1023.
- 2 The axis specified as 2n-1 in parameter No. 1023 and the axis specified as 2n will be in a pair.

Setting the output period of motor current data (for the 90B0 series only)

Output period	Parameter No. 1746 / Bit 7 of parameter No. 2206
Velocity loop period	0 (default)
Current loop period	1 <sup>(Note 3)</sup>

**NOTE**

- 3 If the current loop period is set up as the motor current data output period, selecting data number **0**, **1**, **2**, or **4** disables the output of signals (such as a velocity command) to channels. To observe the motor current and other signals (such as a velocity command), specify the output period as 1 ms.
- 4 For the servo software series 9096, the output period of the motor current is only 1 ms. The current loop period cannot be used for output.

**· Setting up the check board**

- Set the AXIS digit of the LED display with an axis number from **1** to **8** specified in parameter No. 1023.
- Set the DATA digit of the LED display with a data number from **5** to **6**.

**- Method for observing the motor current**

The voltage corresponding to the motor current is output to a channel for which **5** or **6** is set as the data number on the servo check board. The waveform of the motor current can be observed by measuring the voltage mentioned above with an oscilloscope. The following table lists the relationships between the observed voltage and the motor current.

Maximum amplifier current	Motor current/ observed voltage [A/V]
20Ap	5
40Ap	10

Maximum amplifier current

SVPM	L-axis	M-axis	N-axis
SVPM2-5.5i	20Ap	20Ap	
SVPM2-11i	20Ap	20Ap	
SVPM2-15i	40Ap	40Ap	
SVPM3-5.5i	20Ap	20Ap	40Ap
SVPM3-11i	20Ap	20Ap	40Ap
SVPM3-15i	40Ap	40Ap	40Ap

For the axis 20Ap, for example, the motor current is 5A (actual value rather than effective value) if the observed voltage is 1V.

# 5

## PERIODIC MAINTENANCE OF SVPM

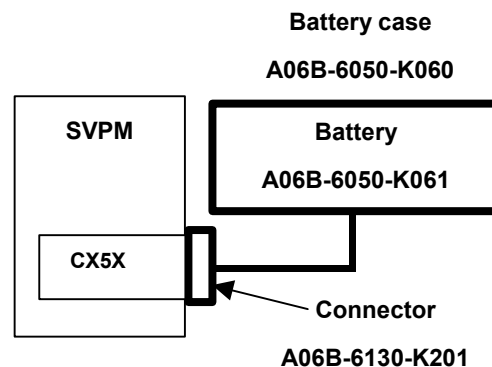
---

## 5.1 BATTERY FOR THE ABSOLUTE PULSECODER

The battery unit for the absolute Pulsecoder can be connected using [Connection scheme 1] and [Connection scheme 2] explained below.

### [Connection scheme 1]

#### Supplying power from one battery unit to more than one SVPM

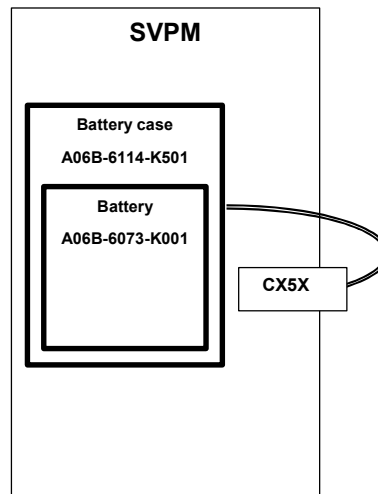


- If a low battery voltage or a battery voltage of 0 V is indicated by an APC (absolute Pulsecoder) alarm, replace the battery. If a battery voltage of 0 V is indicated, you need to make a zero point return.
- The absolute Pulsecoder of the  $\beta$ is series servo motors ( $\beta$  0.4/5000is to  $\beta$  22/2000is) is incorporated with a backup capacitor as standard. This backup capacitor enables an absolute position detection to be continued for about 10 minutes. Therefore, no zero point return need be performed if the time during which servo amplifier power is kept off for battery replacement is within 10 minutes. On the contrary, the absolute Pulsecoder of the  $\beta$  series servo motors is not incorporated with a backup capacitor. Be careful when replacing the battery for this Pulsecoder. See [Caution No. 1 for battery replacement] at the end of this section for details.
- The service life of the batteries is about two years if they are used in a six-axis configuration with  $\beta$ is series servo motors ( $\beta$  0.4/5000is to  $\beta$  22/2000is) and one year if they are used in a six-axis configuration with  $\beta$  series servo motors. FANUC recommends that you replace the batteries periodically according to the battery service life.
- The battery unit consists of four R20 alkaline batteries. Commercial batteries can be used in the battery unit. The optional battery offered by FANUC is A06B-6050-K061.

 **WARNING**

- 1 Do not connect more than one battery to the same BATL (B3) line. If the output voltage is different between the batteries, they may be short-circuited, resulting in the batteries becoming very hot.
- 2 Install the battery with correct polarity. If the battery is installed with incorrect polarity, it may overheat, blow out, or catch fire.

**[Connection scheme 2] Incorporating each SVPM with batteries**



- If a low battery voltage or a battery voltage of 0 V is indicated by an APC (absolute Pulsecoder) alarm, replace the battery (A06B-6073-K001).  
If a battery voltage of 0 V is indicated, you need to make a zero point return.
- The absolute Pulsecoder of the  $\beta$ is series servo motors ( $\beta$  0.4/5000is to  $\beta$  22/2000is) is incorporated with a backup capacitor as standard. This backup capacitor enables an absolute position detection to be continued for about 10 minutes. Therefore, no zero point return need be performed if the time during which servo amplifier power is kept off for battery replacement is within 10 minutes.  
On the contrary, the absolute Pulsecoder of the standard  $\beta$  series servo motors is not incorporated with a backup capacitor. Be careful when replacing the battery for this Pulsecoder. See [Caution No. 1 for battery replacement] at the end of this section for details.
- The service life of the batteries is about two years if they are used in a three-axis configuration with  $\beta$ is series servo motors ( $\beta$  0.4/5000is to  $\beta$  22/2000is).  
FANUC recommends that you replace the batteries periodically according to the battery service life.
- The built-in batteries are not commercially available. They must be purchased from FANUC. So, FANUC recommends that you keep spares.

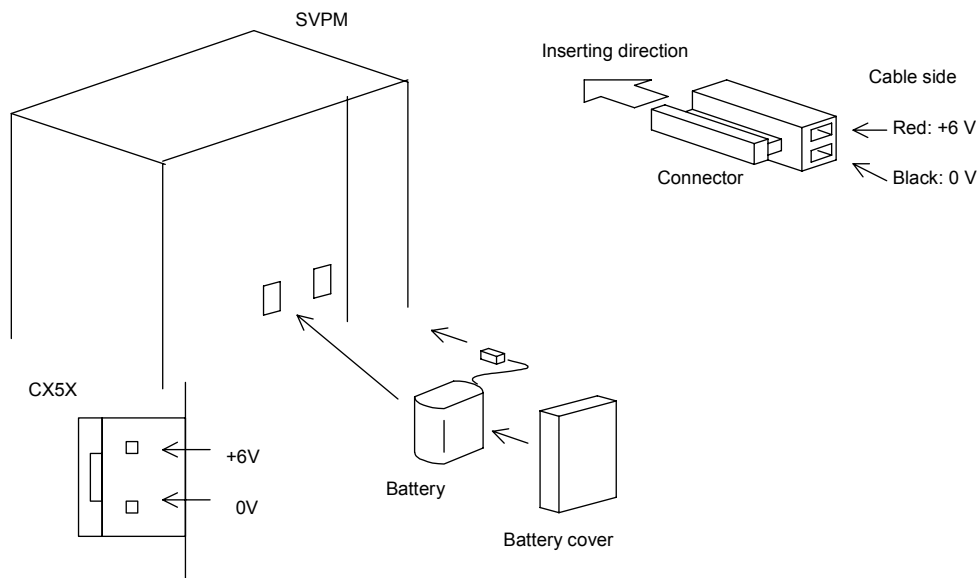


**⚠ WARNING**

- 1 When using the built-in batteries (A06B-6073-K001), do not connect them to the BATL (B3) of connector CXA2C. The output voltages from different batteries may be short-circuited, resulting in the batteries becoming very hot.
- 2 Do not connect more than one battery to the same BATL (B3) line. If the output voltage is different between the batteries, they may be short-circuited, resulting in the batteries becoming very hot.
- 3 Install the battery with correct polarity. If the battery is installed with incorrect polarity, it may overheat, blow out, or catch fire.

[Installation procedure for the battery]

- (1) Remove the battery cover from the SVPM.
- (2) Install the battery in the SVPM as shown in the figure below.
- (3) Install the battery cover.
- (4) Attach the battery connector to CX5X of the SVPM.

**⚠ CAUTION**

- 1 When the battery is installed in the SVPM from the side from which the cable is drawn, the cable may be stretched tight, which can lead to a poor contact condition. Therefore, install the battery so that the cable is not extended tightly.
- 2 Be careful when handling the connector. See [Caution No. 2 for battery replacement] at the end of this section for details.

**[Caution No. 1 for battery replacement]**

The Pulsecoder for the  $\beta$  series servo motor is not incorporated with a backup capacitor as standard. To keep the absolute position information in the absolute Pulsecoder, you need to keep the control power turned on during battery replacement. Follow the procedure explained below.

[Replacing procedure for the battery]

1. Make sure that the power to the SVPM is on (the 7-segment LED on the front of the SVPM is on).
2. Make sure that the emergency stop button of the system has been pressed.
3. Make sure that the motor is not activated.
4. Make sure that the DC link charge LED of the SVPM is off.
5. Remove the old battery, and install a new battery.
6. This completes the replacement. You can turn off the power to the system.


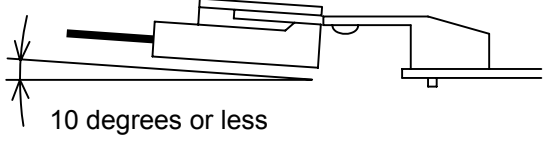
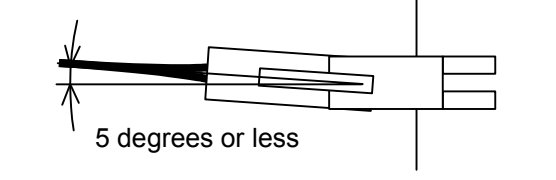
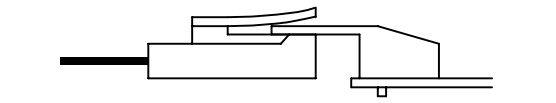
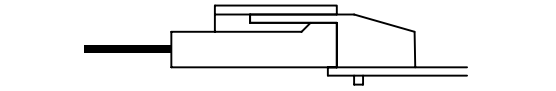
** WARNING**

- 1 When replacing the battery, be careful not to touch bare metal parts in the panel. In particular, be careful not to touch any high-voltage circuits due to the electric shock hazard.
- 2 Before replacing the battery, check that the DC link charge confirmation LED on the front of the servo amplifier is off. Neglecting this check creates an electric shock hazard.
- 3 Install the battery with correct polarity. If the battery is installed with incorrect polarity, it may overheat, blow out, or catch fire.
- 4 Avoid a short-circuit between the +6 V and 0 V lines of a battery or cable. A short-circuit may lead to a hot battery, an explosion, or fire.

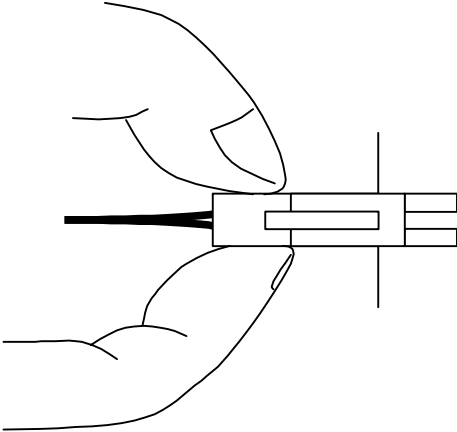
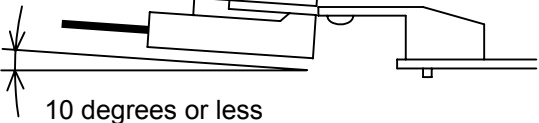
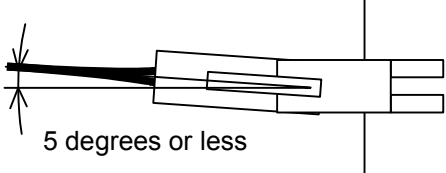
**[Caution No. 2 for battery replacement]**

If an excessive strain is applied to a connector when it is inserted or removed, a poor contact may result. When inserting and removing the battery connector, therefore, be careful not to apply an excessive wrenching force to it; just follow the instructions given in the following table.

(1) Attaching connectors

<1>		Check the attachment position.
<2>	 <p>10 degrees or less</p>	Plug the cable connector while raising it slightly.
<5>	 <p>5 degrees or less</p>	Here, the angle of the cable connector to the horizontal must be 5 degrees or less.
<3>		After passing the lock pin, insert the connector straight.
<4>		The attachment of the connector is completed.

(2) Detaching the connector

<1>		<p>Hold both the sides of the cable insulator and the cable, and pull them horizontally.</p>
<2>	 <p>10 degrees or less</p>	<p>Pull out the cable side while raising it slightly.</p>
<3>	 <p>5 degrees or less</p>	<p>Here, the angle of the cable to the horizontal must be 5 degrees or less.</p>

## 5.2 PERIODIC MAINTENANCE OF SVPM

To use the SVPM for a long time and keep its high performance and reliability, you should perform maintenance and inspection on it routinely.

Inspection target	Inspection item	Inspection cycle		Criterion	Remark
		Routine	Periodic		
Environment	Ambient temperature	O		Surroundings of the power magnetics cabinet: 0 to 45°C Inside of power magnetics cabinet: 0 to 55°C	
Environment	Humidity	O		90%RH or lower (no condensation allowed)	
Environment	Dust Oil mist	O		No dust or oil mist shall be on and around the servo amplifier.	
Environment	Cooling air path	O		Whether the cooling air path is free from an obstacle. Whether the cooling fan motor is working.	
Environment	Abnormal vibration and noise	O		(1) There shall be no abnormal sound or vibration that has not be experienced so far. (2) Any vibration on and around the amplifier shall not be over 0.5 G.	
Environment	Power supply voltage	O		$\beta_i$ SVPM : Shall be within the rating (200 to 240 V).	
Amplifier	General	O		Whether the amplifier generates abnormal sound or odor.	
Amplifier	General	O		Whether there is dust or oil mist on the amplifier. Whether the amplifier generates abnormal sound or odor.	
Amplifier	Screw		O	There shall be no loose screw.	
External device	Fan motor	O		(1) Whether the motor is running normally. (2) The motor shall not generate abnormal vibration or sound. (3) There shall be no dust or oil mist on the motor.	(*1)
Amplifier	Connector		O	Whether there is a loose connector.	
Amplifier	Cable		O	(1) Whether there is a sign of past heat generation. (2) Whether there is a deteriorated sheath (discolored or cracked).	
External device	Magnetic contactor		O	The magnetic contactor shall not rattle or chatter.	
External device	Ground fault interrupter		O	The interrupter shall be able to trip.	
External device	AC reactor		O	There shall be no hum.	

(\*1) Generally, fan motors are periodic-replacement parts.

If a fan motor for a servo amplifier does not work, the amplifier will not get broken immediately. However, you should inspect the fan motor constantly and replace it in a preventive manner.

**Specification number of fan unit  
- SVPM**

SVPM name	Fan for cooling external heat sink fins	
	Fan unit	Fan motor
SVPM-5.5i SVPM-11i	A06B-6134-K001	A90L-0001-0335/D
SVPM-15i	A06B-6134-K001	A90L-0001-0335/D

## **IV. TROUBLESHOOTING FOR $\beta_i$ SVPM**





# 1

## OVERVIEW

---

This part describes the troubleshooting procedure. Read the section related to your current trouble to locate it and take an appropriate action.

First, check the alarm number (indicated by the CNC) and the STATUS1 and STATUS2 indications in Chapter 2 to find the cause.

Then, take an appropriate action according to the corresponding description in Chapter 3.

# 2

## ALARM NUMBERS AND BRIEF DESCRIPTIONS

---

## 2.1 SERVO ALARM

Servo alarm	Spindle alarm	Spindle alarm	STATUS1 Spindle unit	STATUS2 Servo unit	Description	Remarks
361					Pulsecoder phase error (built-in)	3.3.7 (1)
364					Soft phase alarm (built-in)	3.3.7 (1)
365					LED error (built-in)	3.3.7 (1)
366					Pulse error (built-in)	3.3.7 (1)
367					Count error (built-in)	3.3.7 (1)
368					Serial data error (built-in)	3.3.7 (3)
369					Data transfer error (built-in)	3.3.7 (3)
380					LED error (separate)	3.3.7 (2)
381					Pulsecoder phase error (separate)	3.3.7 (2)
382					Count error (separate)	3.3.7 (2)
383					Pulse error (separate)	3.3.7 (2)
384					Soft phase alarm (separate)	3.3.7 (2)
385					Serial data error (separate)	3.3.7 (3)
386					Data transfer error (separate)	3.3.7 (3)
387					Sensor error (separate)	3.3.7 (2)
417					Invalid parameter setting	3.3.6
421					Excessive semi-full error	3.3.8
430					Servo motor overheat	3.3.5
431	9058	7n58	58		Converter: main circuit overload	3.1.3
432	9111	7n98	b1		Converter: control power supply undervoltage	3.1.6
433	9051	7n51	51		Converter: DC link undervoltage	3.1.4
434				2	Inverter: control power supply undervoltage	3.2
435				5	Inverter: DC link undervoltage	3.2
436					Soft thermal (OVC)	3.3.3
437	9030	7n30	30		Converter: input circuit overcurrent	3.1.1
438				b	Inverter: motor current alarm (L axis)	3.2
438				C	Inverter: motor current alarm (M axis)	3.2
438				d	Inverter: motor current alarm (Naxis)	3.2
439	9011	7n11	11		Converter: DC link overvoltage	3.1.7
441					Current offset error	3.3.8
442	9033	7n33	33		Converter: DC link precharge failure	3.1.5
445					Soft disconnection alarm	3.3.4
447					Hard disconnection alarm (separate)	3.3.4
448					Feedback mismatch alarm	3.3.8
449				8.	Inverter: IPM alarm (L axis)	3.2
449				9.	Inverter: IPM alarm (M axis)	3.2
449				A.	Inverter: IPM alarm (N axis)	3.2
453					$\alpha$ Pulsecoder: soft disconnection	3.3.4
601				F	Inverter: cooling fan stopped of the radiator	3.2
602				6	Inverter: overheat	3.2
603				8.	Inverter: IPM alarm (OH) (L axis)	3.2
603				9.	Inverter: IPM alarm (OH) (M axis)	3.2
603				A.	Inverter: IPM alarm (OH) (N axis)	3.2
604				P	Communication error between amplifier and module	3.2
607	9004	7n04	04		Open phase in the converter main power supply	3.1.8

## 2.2 SPINDLE ALARM

Servo alarm	Spindle alarm	Spindle alarm	STATUS1 Spindle unit	STATUS2 Servo unit	Description	Remarks
	9001	7n01	01		Motor overheat	3.4.1
	9002	7n02	02		Excessive speed deviation	3.4.2
607	9004	7n04	04		Open phase in the converter main power supply	3.1.8
	9006	7n06	06		Temperature sensor disconnected	3.4.3
	9007	7n07	07		Excessive speed	3.4.4
	9009	7n09	09		Main circuit overload/IPM overheat	3.4.5
439	9011	7n11	11		Converter: DC link overvoltage	3.1.7
	9012	7n12	12		IPM alarm	3.4.6
	750	750	18		Program sum check error	3.4.8
	750	750	19		Excessive offset of the phase U current detection circuit	3.4.9
	750	750	20		Excessive offset of the phase V current detection circuit	3.4.9
	9021	7n21	21		Position sensor polarity setting incorrect	3.4.10
	749	749	24		Serial transfer data error	3.4.11
	9027	7n27	27		Position coder disconnected	3.4.12
	9029	7n29	29		Short-period overload	3.4.13
437	9030	7n30	30		Overcurrent in the converter input circuit	3.1.1
	9031	7n31	31		Motor lock alarm	3.4.14
	9032	7n32	32		Serial communication LSI RAM error	3.4.15
442	9033	7n33	33		Converter: DC link precharge failure	3.1.5
	9034	7n34	34		Parameter data out of the specifiable range	3.4.16
	9035	7n35	35		Gear ratio parameter error	3.4.38
	9036	7n36	36		Error counter overflow	3.4.17
	9037	7n37	37		Speed detector parameter error	3.4.18
	9041	7n41	41		Position coder one-rotation signal detection error	3.4.19
	9042	7n42	42		Position coder one-rotation signal not detected	3.4.20
	9046	7n46	46		Position sensor one-rotation signal detection error during thread cutting	3.4.21
	9047	7n47	47		Position coder signal error	3.4.22
	9050	7n50	50		Excessive speed command calculation value during spindle synchronization	3.4.23
433	9051	7n51	51		Converter: DC link undervoltage	3.1.4
	9052	7n52	52		ITP signal error I	3.4.24
	9053	7n53	53		ITP signal error II	3.4.24
	9054	7n54	54		Current overload alarm	3.4.25
431	9058	7n58	58		Converter: main circuit overload	3.1.3
	9073	7n73	73		Motor sensor disconnected	3.4.26
	9075	7n75	75		CRC test alarm	3.4.27
	9079	7n79	79		Abnormal initial test operation	3.4.28
	9081	7n81	81		Motor sensor one-rotation signal detection error	3.4.29
	9082	7n82	82		Motor sensor one-rotation signal not detected	3.4.30
	9083	7n83	83		Motor sensor signal error	3.4.31

Servo alarm	Spindle alarm	Spindle alarm	STATUS1 Spindle unit	STATUS2 Servo unit	Description	Remarks
	9084	7n84	84		Spindle sensor disconnected	3.4.32
	9085	7n85	85		Spindle sensor one-rotation signal detection error	3.4.33
	9086	7n86	86		Spindle sensor one-rotation signal not detected	3.4.34
	9087	7n87	87		Spindle sensor signal error	3.4.35
		7n97			Other spindle amplifier alarm	
		7n98			Other converter alarm	
	749	749	A		Program ROM error	3.4.36
	749	749	A1		Program ROM error	3.4.36
	749	749	A2		Program ROM error	3.4.36
	9110	7n98	b0		Communication error between amplifier and module	Not issued.
432	9111	7n98	b1		Converter: control power supply low voltage	3.1.6
	9120		C0		Communication data alarm	3.4.37
	9121		C1		Communication data alarm	3.4.37
	9122		C2		Communication data alarm	3.4.37

\* n represents a spindle number.

# 3

## TROUBLESHOOTING AND ACTION

---

## **3.1 COMMON TO SERVO AND SPINDLE UNITS**

---

### **3.1.1 STATUS2 Alarm Code - STATUS1 Alarm Code 30**

---

#### **SVPM**

- (1) Meaning  
The main circuit power module (IPM) has detected an abnormal condition.
- (2) Cause and troubleshooting
  - (a) Control supply voltage decrease of the power module (IPM)  
→ Replace the power unit.
  - (b) Input supply voltage imbalance  
→ Check the input power supply specification.
  - (c) The specification of the AC reactor does not match the SVPM in use.  
→ Check the SVPM and the specification of the AC reactor.
  - (d) IPM failure  
→ Replace the IPM.

### **3.1.2 STATUS2 Alarm Code - STATUS1 Alarm Code 59**

---

- (1) Meaning  
A cooling fan for the control circuit has stopped.
- (2) Cause and troubleshooting  
This alarm is not issued in the SVPM.  
If this alarm is issued, the SVPM or SVPM control printed circuit board may be defective.  
Replace the SVPM or SVPM control printed circuit board.

### **3.1.3 STATUS2 Alarm Code - STATUS1 Alarm Code 58**

---

- (1) Meaning  
The temperature of the main circuit heat sink has risen abnormally.
- (2) Cause and troubleshooting
  - (a) Cooling fan broken  
Check whether the cooling fan rotates normally.  
→ Replace it.
  - (b) Dust accumulation  
→ Clean the cooling system with a vacuum cleaner or the factory air blower.
  - (c) Overload  
→ Examine the operating conditions.

### **3.1.4 STATUS2 Alarm Code - STATUS1 Alarm Code 51**

---

- (1) Meaning  
In the main circuit, the DC voltage (DC link) has dropped.
- (2) Cause and troubleshooting
  - (a) A small power dip has occurred.  
→ Check the power supply.
  - (b) Low input power supply voltage  
→ Check the power supply specification.
  - (c) The main circuit power supply may have been switched off with an emergency stop state released.  
→ Check the sequence.

### **3.1.5 STATUS2 Alarm Code - STATUS1 Alarm Code 33**

---

- (1) Meaning  
The main circuit capacitor was not recharged within the specified time.
- (2) Cause and troubleshooting
  - (a) Too many SVM and/or SVPM units are connected.  
→ Check the specification of the SVPM.
  - (b) The DC link is short-circuited.  
→ Check the connection.
  - (c) The recharge current limiting resistor is defective.  
→ Replace the distributing board.

### **3.1.6 STATUS2 Alarm Code - STATUS1 Alarm Code b1**

---

- (1) Meaning  
The control power supply voltage decrease.
- (2) Cause and troubleshooting
  - (a) Input voltage decrease  
→ Check the power supply.



### **3.1.7 STATUS2 Alarm Code - STATUS1 Alarm Code 11**

---

- (1) Meaning  
In the main circuit, the DC voltage at the DC link is abnormally high.
- (2) Cause and troubleshooting
  - (a) Excessive regenerated power  
The SVPM does not have a sufficient capacity.  
→ Check the specification of the SVPM.
  - (b) The output impedance of the AC power source is too high.  
→ Check the power source output impedance.  
(Normal if the voltage variation at maximum output time is within 7%)
  - (c) The main circuit power supply may have been switched off with an emergency stop state released.  
→ Check the sequence.

### **3.1.8 STATUS2 Alarm Code - STATUS1 Alarm Code 04**

---

- (1) Meaning  
The input power supply is abnormal (open phase).
- (2) Cause and troubleshooting
  - (a) The input power supply has an open phase.  
Check the power supply voltage.  
→ If there is no problem with the power supply voltage, check the connections.

## 3.2 SERVO UNIT

The following table lists alarms related to the servo amplifier module. See this table while comparing the CNC alarm codes presented in Chapter 2, "Alarm Numbers and Brief Description" with the LED displays of the STATUS 2.

Alarm	LED display	Major cause	Reference
Inverter: internal cooling fan stopped	1	- This alarm is not issued in the SVPM. - If this alarm is issued, the SVPM may be defective.	
Inverter: control power supply undervoltage	2	- The 24 V control power supply input to the SVPM is low. - Connector/cable (CXA2A/B) defective - SVPM failure	3.2.1
Inverter: DC link undervoltage	5	- Low input voltage - SVPM failure	3.2.2
Inverter: overheat	6	- The motor is being used under a harsh condition. - The ambient temperature is high. - SVPM failure	3.2.3
Inverter: cooling fan stopped of the radiator	F	- This alarm is not issued in the SVPM. - If this alarm is issued, the SVPM may be defective.	
Communication error between amplifier modules	P	- SVPM failure	3.2.4
Inverter: IPM alarm (L axis)	8.	- Short-circuit between power lead phases or ground fault in them	3.2.5
Inverter: IPM alarm (M axis)	9.	- Short-circuit between motor winding phases or ground fault in them	
Inverter: IPM alarm (N axis)	A.	- SVPM failure	
Inverter: IPM alarm (OH) (L axis)	8.	- The motor is being used under a harsh condition.	3.2.6
Inverter: IPM alarm (OH) (M axis)	9.	- The ambient temperature is high.	
Inverter: IPM alarm (OH) (N axis)	A.	- SVPM failure	
Inverter: motor current alarm (L axis)	b	- Short-circuit between power lead phases or ground fault in them	3.2.7
Inverter: motor current alarm (M axis)	c	- Short-circuit between motor winding phases or ground fault in them	
Inverter: motor current alarm (N axis)	d	- Incorrect motor ID setting - SVPM failure - Motor failure	
Inverter: FSSB communication error (COP10B)	U	- Connector or cable (COP10B) failure - SVPM failure - CNC failure	3.2.8

### 3.2.1 STATUS2 Alarm Code 2

---

- (1) Meaning  
Inverter: control power supply undervoltage
- (2) Cause and troubleshooting
  - (a) Check the three-phase input voltage of the amplifier (the voltage shall not be lower than 85% of the rated input voltage).
  - (b) Check the 24 V power supply voltage output from the SVPM (the voltage shall normally not lower than 22.8 V).
  - (c) Check the connector and cable (CXA2A/B).
  - (d) Replace the SVPM.

### 3.2.2 STATUS2 Alarm Code 5

---

- (1) Meaning  
Inverter: DC link undervoltage
- (2) Cause and troubleshooting
  - (a) The three-phase input voltage level drops.
  - (b) Replace the control printed circuit board.
  - (c) Replace the SVPM.

### 3.2.3 STATUS2 Alarm Code 6

---

- (1) Meaning  
Inverter: overheat
- (2) Cause and troubleshooting
  - (a) Check that the motor is being used at or below its continuous rating.
  - (b) Check that the cooling capacity of the cabinet is sufficient (inspect the fans and filters).
  - (c) Check that the ambient temperature is not too high.
  - (d) Be sure to push the faceplate (control printed-circuit board) as far as it will go.
  - (e) Replace the SVPM.

### 3.2.4 STATUS2 Alarm Code P

---

- (1) Meaning  
Communication error between amplifier modules
- (2) Cause and troubleshooting
  - (a) Check the connector and cable (CXA2A/B).
  - (b) Replace the control printed-circuit board.
  - (c) Replace the SVPM.

### 3.2.5 STATUS2 Alarm Codes 8., 9., and A.

---

- (1) Meaning  
Inverter: IPM alarm
- (2) Cause and troubleshooting
  - (a) Be sure to push the faceplate (control printed-circuit board) as far as it will go.
  - (b) Disconnect the motor power leads from the SVM, and release the SVM from an emergency stop condition.
    - <1> If no IPM alarm condition has occurred  
→ Go to (c).
    - <2> If an IPM alarm condition has occurred  
→ Replace the SVM.
  - (c) Disconnect the motor power leads from the SVM, and check the insulation between PE and the motor power lead U, V, or W.
    - <1> If the insulation is deteriorated  
→ Go to (d).
    - <2> If the insulation is normal  
→ Replace the SVM.
  - (d) Disconnect the motor from its power leads, and check whether the insulation of the motor or power leads is deteriorated.
    - <1> If the insulation of the motor is deteriorated  
→ Replace the motor.
    - <2> If the insulation of any power lead is deteriorated  
→ Replace the power lead.

### 3.2.6 STATUS2 Alarm Codes 8., 9., and A.

---

- (1) Meaning  
Inverter: IPM alarm (OH)
- (2) Cause and troubleshooting
  - (a) Be sure to push the faceplate (control printed-circuit board) as far as it will go.
  - (b) Check that the heat sink cooling fan is running.
  - (c) Check that the motor is being used at or below its continuous rating.
  - (d) Check that the cooling capacity of the cabinet is sufficient (inspect the fans and filters).
  - (e) Check that the ambient temperature is not too high.
  - (f) Replace the SVPM.

### 3.2.7 STATUS2 Alarm Codes b, c, and d

(1) Meaning

Inverter: DC link current alarm

(2) Cause and troubleshooting

(a) Checking the servo parameters

Referring to "FANUC AC SERVO MOTOR  $\alpha$ *is*/ $\alpha$ *i*/ $\beta$ *is* series Parameter Manual (B-65270EN)," check whether the following parameters have default values.

Series 15 <i>i</i>	No.1809	No.1852	No.1853
Series 16 <i>i</i> , 18 <i>i</i> , 20 <i>i</i> , 21 <i>i</i> , 0 <i>i</i> Power Mate <i>i</i>	No.2004	No.2040	No.2041

Alternatively, if an abnormal motor current alarm condition occurs only on rapid acceleration/deceleration, it is likely that the motor is being used under too harsh a condition. Increase the acceleration/deceleration time constant, and see what will occur.

(b) Be sure to push the faceplate (control printed-circuit board) as far as it will go.

(c) Disconnect the motor power leads from the SVM, and release the SVM from an emergency stop condition.

<1> If no abnormal motor current occurs

→ Go to (d).

<2> If an abnormal motor current occurs

→ Replace the SVPM.

(d) Disconnect the motor power leads from the SVM, and check the insulation between PE and the motor power lead U, V, or W.

<1> If the insulation is deteriorated

→ Go to (e).

<2> If the insulation is normal

→ Replace the SVM.

(e) Disconnect the motor from its power leads, and check whether the insulation of the motor or power leads is deteriorated.

<1> If the insulation of the motor is deteriorated

→ Replace the motor.

<2> If the insulation of any power lead is deteriorated

→ Replace the power lead.

### 3.2.8 STATUS2 Alarm Code U

(1) Meaning

Inverter: FSSB communication error (COP10B) <sup>(NOTE)</sup>

(2) Cause and troubleshooting

- (a) Replace the  $\beta i$  SVM optical cable (COP10B) that is nearest to the  $\beta i$  SVPM on which "U" is displayed (in Fig. 3.2.8, the cable between  $\beta i$  SVM No.3 and  $\beta i$  SVPM).
- (b) Replace the  $\beta i$  SVM that is nearest to the  $\beta i$  SVPM on which "U" is displayed (in Fig. 3.2.8,  $\beta i$  SVM No.3).
- (c) Replace the COP10B-side  $\beta i$  SVM that is nearest to the  $\beta i$  SVPM on which "U" is displayed (in Fig. 3.2.8,  $\beta i$  SVM No.2).
- (d) Replace the servo card in the CNC.

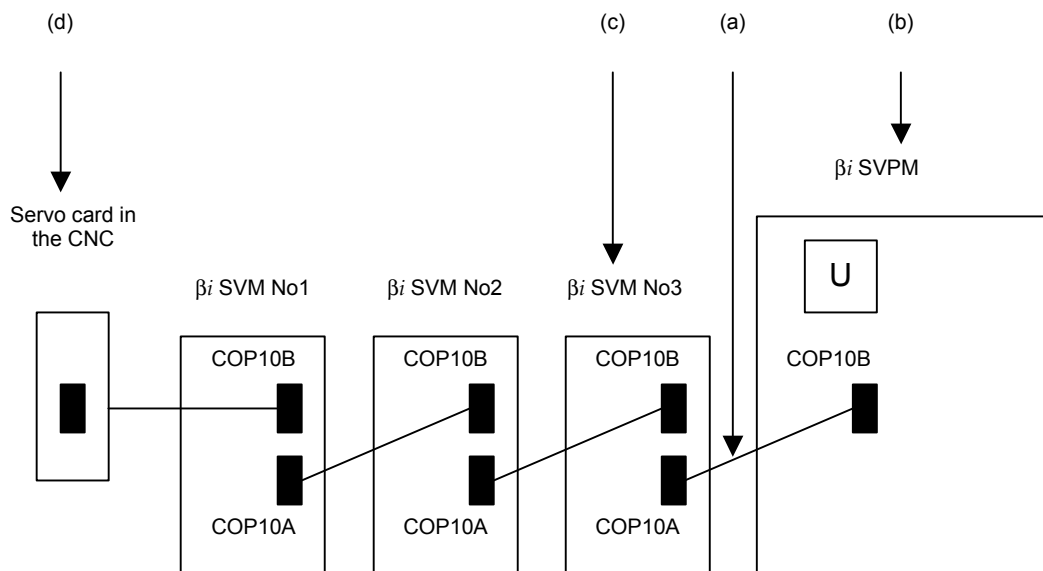


Fig. 3.2.8

**NOTE**

When the CNC power is turned on, "U" blinks momentarily, and then "-" steadily lights. This is not a failure, though.

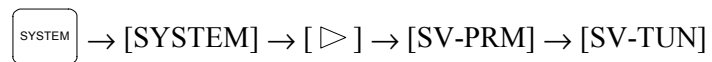
### 3.3 SERVO SOFTWARE

If a servo alarm is issued, an alarm message is output, and details of the alarm are also displayed on the servo adjustment screen or the diagnosis screen. Using the alarm identification table given in this section, determine the alarm, and take a proper action.

#### 3.3.1 Servo Adjustment Screen

The following procedure can be used to display the servo adjustment screen.

● Series 0i



If the servo setting screen does not appear, specify the following parameter, then switch the CNC off and on again.

	#7	#6	#5	#4	#3	#2	#1	#0
3111								SVS

SVS (#0)=1 (to display the servo setting screen)

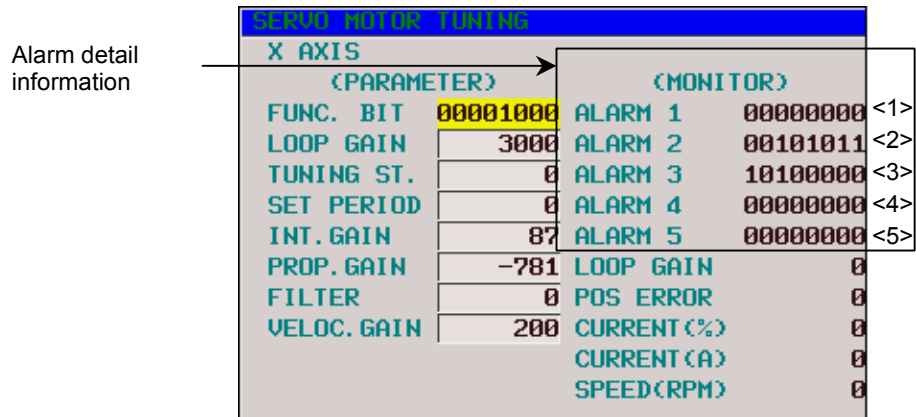


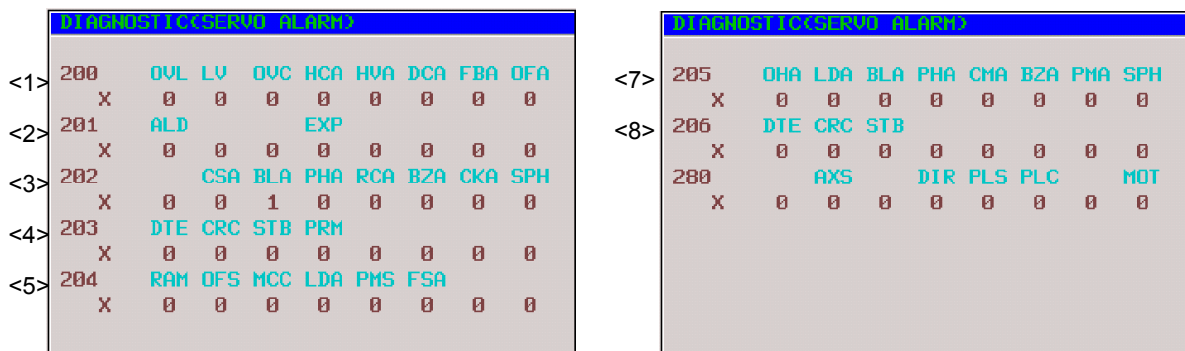
Fig. 3.3.1 Servo adjustment screen

### 3.3.2 Diagnosis Screen

The alarm items of the servo adjustment screen correspond to the diagnosis screen numbers indicated in the table below.

**Table 3.3.2 Correspondence between the servo adjustment screen and diagnosis screen**

Alarm No.	Series 15i	Series 16i, 18i, 21i, 0i
<1> Alarm 1	No 3014 + 20(X-1)	No 200
<2> Alarm 2	3015 + 20(X-1)	201
<3> Alarm 3	3016 + 20(X-1)	202
<4> Alarm 4	3017 + 20(X-1)	203
<5> Alarm 5	_____	204
<6> Alarm 6	_____	_____
<7> Alarm 7	_____	205
<8> Alarm 8	_____	206
<9> Alarm 9	_____	_____



**Fig. 3.3.2 Diagnosis screen**

The table below indicates the names of the alarm bits.

**Table 3.3.2 List of alarm bit names**

	#7	#6	#5	#4	#3	#2	#1	#0
<1> Alarm 1	OVL	LVA	OVC	HCA	HVA	DCA	FBA	OFA
<2> Alarm 2	ALD			EXP				
<3> Alarm 3		CSA	BLA	PHA	RCA	BZA	CKA	SPH
<4> Alarm 4	DTE	CRC	STB	PRM				
<5> Alarm 5		OFS	MCC	LDM	PMS	FAN	DAL	ABF
<6> Alarm 6					SFA			
<7> Alarm 7	OHA	LDA	BLA	PHA	CMA	BZA	PMA	SPH
<8> Alarm 8	DTE	CRC	STB	SPD				
<9> Alarm 9		FSD			SVE	IDW	NCE	IFE

**NOTE**  
The empty fields do not represent alarm codes.



### 3.3.3 Overload Alarm (Soft Thermal, OVC)

(Alarm identification method)

	#7	#6	#5	#4	#3	#2	#1	#0
<1> Alarm 1	OVL	LVA	OVC	HCA	HVA	DCA	FBA	OFA

(Action)

- (1) Make sure that the motor is not vibrating.
  - ⇒ If a motor vibrates, the current flowing in it becomes more than necessary, resulting in an alarm.
- (2) Make sure that the power lead to the motor is connected correctly.
  - ⇒ If the connection is incorrect, an abnormal current flows in the motor, resulting in an alarm.
- (3) Make sure that the following parameters are set correctly.
  - ⇒ An overload alarm is issued based on the result of calculation of these parameters. Be sure to set them to the standard values. For details of the standard values, refer to the FANUC AC SERVO MOTOR  $\alpha_i/\alpha_i/\beta_i$  series Parameter Manual (B-65270EN).
- (4) Check the operation conditions. The machine load may be too heavy for the motor specification.

No.2062 (FS0 <i>i</i> )	Overload protection coefficient (OVC1)
No. 2063 (FS0 <i>i</i> )	Overload protection coefficient (OVC2)
No. 2065 (FS0 <i>i</i> )	Overload protection coefficient (OVCLMT)
No. 2162 (FS0 <i>i</i> )	Overload protection coefficient (OVC21)
No. 2163 (FS0 <i>i</i> )	Overload protection coefficient (OVC22)
No. 2164 (FS0 <i>i</i> )	Overload protection coefficient (OVCLMT2)

### 3.3.4 Feedback Disconnected Alarm

(Alarm identification method)

	#7	#6	#5	#4	#3	#2	#1	#0
<1> Alarm 1	OVL	LVA	OVC	HCA	HVA	DCA	FBA	OFA
<2> Alarm 2	ALD			EXP				
<6> Alarm 6					SFA			

FBA	ALD	EXP	SFA	Alarm description	Action
1	1	1	0	Hard disconnection (separate phase A/B)	1
1	0	0	0	Soft disconnection (closed loop)	2
1	0	0	1	Soft disconnection ( $\alpha$ i Pulsecoder)	3

(Action)

**Action 1:** This alarm is issued when a separate phase A/B scale is used. Check if the phase A/B detector is connected correctly.

**Action 2:** This alarm is issued when the position feedback pulse variation is small relative to the velocity feedback pulse variation. This means that this alarm is not issued when a semi-full is used. Check if the separate detector outputs position feedback pulses correctly. If position feedback pulses are output correctly, it is considered that the motor alone is rotating in the reverse direction at the start of machine operation because of a large backlash between the motor position and scale position.

	#7	#6	#5	#4	#3	#2	#1	#0
No. 2003 (FS0 <i>i</i> )							TGAL	

TGAL (#1) 1: Uses the parameter for the soft disconnection alarm detection level.

No. 2064 (FS0 <i>i</i> )	Soft disconnection alarm level
--------------------------	--------------------------------

Standard setting 4: Alarm issued for a 1/8 rotation of the motor. Increase this value.

**Action 3:** This alarm is issued when synchronization between the absolute position data sent from the built-in Pulsecoder and phase data is lost. Turn off the power to the CNC, then detach the Pulsecoder cable then attach it again. If this alarm is still issued, replace the Pulsecoder.

### 3.3.5 Overheat Alarm

(Alarm identification method)

	#7	#6	#5	#4	#3	#2	#1	#0
<1> Alarm 1	OVL	LVA	OVC	HCA	HVA	DCA	FBA	OFA
<2> Alarm 2	ALD			EXP				

OVL	ALD	EXP	Alarm description	Action
1	1	0	Motor overheat	1
1	0	0	Amplifier overheat	1

(Action)

**Action 1:** If this alarm is issued after a long-time of continuous operation, it is considered that the motor and amplifier are overheated. Stop operation for a while, then make a check. If this alarm is still issued after the power is off for about 10 minutes then is turned on again, the thermostat is considered to be faulty. If this alarm is issued intermittently, increase the time constant or increase stop time in the program to suppress the rise in temperature.

### 3.3.6 Invalid Servo Parameter Setting Alarm

The invalid servo parameter setting alarm is issued when a setting out of the specifiable range is specified, or an overflow has occurred in an internal calculation. When an invalid parameter is detected on the servo side, alarm 4 #4 (PRM) = 1 results.

(Alarm identification method)

	#7	#6	#5	#4	#3	#2	#1	#0
<4> Alarm 4	DTE	CRC	STB	PRM				

For details and action required when the invalid servo parameter setting alarm is issued on the servo side, refer to the FANUC AC SERVO MOTOR  $\alpha$ is/ $\alpha$ i/ $\beta$ is series Parameter Manual (B-65270EN).

(Reference information)

Method of checking details of an invalid parameter detected on the servo side

(For Series 0i)

A number is indicated in No. 352 of the diagnosis screen.

### 3.3.7 Alarms Related to Pulsecoder and Separate Serial Detector

(Bits for alarm identification)

	#7	#6	#5	#4	#3	#2	#1	#0
<1> Alarm 1	OVL	LVA	OVC	HCA	HVA	DCA	FBA	OFA
<2> Alarm 2	ALD			EXP				
<3> Alarm 3		CSA	BLA	PHA	RCA	BZA	CKA	SPH
<4> Alarm 4	DTE	CRC	STB	PRM				
<5> Alarm 5		OFS	MCC	LDM	PMS	FAN	DAL	ABF
<6> Alarm 6					SFA			
<7> Alarm 7	OHA	LDA	BLA	PHA	CMA	BZA	PMA	SPH
<8> Alarm 8	DTE	CRC	STB	SPD				
<9> Alarm 9		FSD			SVE	IDW	NCE	IFE

(1) For a built-in Pulsecoder

An alarm is determined from the bits of alarms 1, 2, 3, and 5. The table below indicates the meaning of each bit.

Alarm 3							Alarm 5		1	Alarm 2		Alarm description	Action
CSA	BLA	PHA	RCA	BZA	CKA	SPH	LDM	PMA	FBA	ALD	EXP		
						1						Soft phase alarm	2
				1								Zero battery voltage	1
			1						1	1	0	Count error alarm	2
		1										Phase alarm	2
	1											Battery voltage decrease <sup>(Caution)</sup>	1
								1				Pulse error alarm	
							1					LED error alarm	

#### CAUTION

An alarm for which no action number is given is considered to be caused by a Pulsecoder failure. Replace the Pulsecoder.

- (2) For a separate serial detector

An alarm is determined from the bits of alarm 7. The table below indicates the meaning of each bit.

Alarm 7								Alarm description	Action
OHA	LDA	BLA	PHA	CMA	BZA	PMA	SPH		
							1	Soft phase alarm	2
						1		Pulse error alarm	
					1			Zero battery voltage	1
				1				Count error alarm	2
			1					Phase alarm	2
		1						Battery voltage decrease (Caution)	1
	1							LED error alarm	
1								Separate detector alarm	3

**⚠ CAUTION**

An alarm for which no action number is given is considered to be caused by a detector failure. Replace the detector.

(Action)

**Action 1: Battery-related alarms**

Check if a battery is connected. When the power is turned on for the first time after a battery is connected, the zero battery voltage alarm is issued. In such a case, turn off the power, then turn on the power again. If the alarm is still issued, check the battery voltage. If the battery voltage decrease alarm is issued, check the voltage, and replace the battery as required.

**Action 2: Alarms that may be issued for noise**

If an alarm is issued intermittently or after emergency stop cancellation, noise is probably the cause. So, provide noise protection. If the same alarm is still issued after noise protection is provided, replace the detector.

**Action 3: Alarm condition detected by the separate detector**

If the separate detector detects an alarm condition, contact the manufacturer of the detector for information on troubleshooting.

## (3) Alarms related to serial communication

An alarm is determined from the bits of alarms 4 and 8.

Alarm 4			Alarm 8			Alarm description
DTE	CRC	STB	DTE	CRC	STB	
1						Serial Pulsecoder communication alarm
	1					
		1				
			1			Separate serial Pulsecoder communication alarm
				1		
					1	

**Action:** Serial communication is not performed correctly. Check if the cable is connected correctly and is not broken. If CRC or STB is issued, noise may be the cause. So, provide noise protection. If CRC or STB is always issued after the power is turned on, the Pulsecoder or amplifier control board or the pulse module may be faulty.

### 3.3.8 Other Alarms

(Alarm identification method)

	#7	#6	#5	#4	#3	#2	#1	#0
<5> Alarm 5		OFS	MCC	LDM	PMS	FAN	DAL	ABF

OFS	DAL	ABF	Alarm description	Action
		1	Feedback mismatch alarm	1
	1		Excessive semi-full error alarm	2
1			Current offset error alarm	3

(Action)

**Action 1:** This alarm is issued when the move direction of the position detector is opposite to the move direction of the speed detector. Check the rotation direction of the separate detector. If the rotation direction of the separate detector is opposite to the rotation direction of the motor, take the following action:

For a phase A/B detector: Reverse the connections of A and  $\bar{A}$ .

For a serial detector: Reverse the setting of the signal direction of the separate detector.

In the Series 90B0/G(07) and subsequent editions, the following settings enable signal directions in the A/B phase detector to be inverted.

	#7	#6	#5	#4	#3	#2	#1	#0
No. 2018 (FS0 <i>i</i> )								RVRSE

RVRSE (#0) Reverses the signal direction of the separate detector.

0: Does not reverse the signal direction of the separate detector.

1: Reverses the signal direction of the separate detector.

If a large distortion exists between the motor and separate detector, this alarm may be issued in the case of abrupt acceleration/deceleration. In such a case, modify the detection level.

	#7	#6	#5	#4	#3	#2	#1	#0
No. 2201 (FS0 <i>i</i> )							RNLV	

RNLV (#1) Modifies the feedback mismatch alarm detection level.

1: Detected with 1000 min<sup>-1</sup> or more

0: Detected with 600 min<sup>-1</sup> or more

**Action 2:** This alarm is issued when the difference between the motor position and separate detector position exceeds the excessive semi-full error level. Check if the conversion efficient for dual position feedback is set correctly. If the conversion efficient is set correctly, increase the alarm level. If this alarm is still issued after the level is modified, check the connection direction of the scale.

No. 2078 (FS0i)

Dual position feedback conversion coefficient (numerator)

No. 2079 (FS0i)

Dual position feedback conversion coefficient (denominator)

$$\text{Conversion coefficient} = \frac{\left( \begin{array}{l} \text{Number of feedback pulses per motor} \\ \text{revolution (detection unit)} \end{array} \right)}{1,000,000}$$

No. 2118 (FS0i)

Dual position feedback semi-full error level

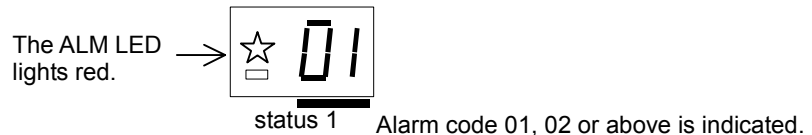
[Setting] Detection unit. When 0 is set, no detection is made.

**Action 3:** The current offset value of the current detector (equivalent to the current value in the emergency stop state) is abnormally high. If this alarm is still issued after the power is turned off then back on, the current detector is faulty. Replace the SVPM.



## 3.4 SPINDLE UNIT

If an alarm occurs in the spindle amplifier module, the ALM LED lights red in the STATUS 1 display, and the two-digit 7-segment LEDs indicate the alarm code.



### 3.4.1 Alarm Code 01

The inside temperature of the motor is higher than the specified temperature.

- (1) If this alarm is issued during cutting (the motor temperature is high)
  - (a) Check the cooling state of the motor.
    - <1> If the cooling fan of the spindle motor is stopped, check the power supply of the cooling fan. If the cooling fan is still inoperative, replace it with a new one.
    - <2> When a liquid-cooled motor is used, check the cooling system.
    - <3> When the ambient temperature of the spindle motor is higher than the specified temperature, lower the ambient temperature to satisfy the specification.
  - (b) Recheck the cutting conditions.
- (2) If this alarm is issued under a light load (the motor temperature is high)
  - (a) When the frequency of acceleration/deceleration is too high Set such a use condition that the average including output at acceleration/deceleration does not exceed the continuous rating.
  - (b) The parameters specific to the motor are not correctly. Referring to "FANUC AC SPINDLE MOTOR  $\alpha i/\beta i$  series Parameter Manual (B-65280EN)," check the motor-specific parameters.
- (3) If this alarm is issued when the motor temperature is low
  - (a) The spindle motor feedback cable is faulty. Replace the cable.
  - (b) The parameters specific to the motor are not set correctly. Referring to "FANUC AC SPINDLE MOTOR  $\alpha i$  series Parameter Manual (B-65280EN)," check the motor-specific parameters.

FS0i	For $\beta i$ series motor
4134	motor-specific parameter

- (c) The control printed circuit board is faulty.  
Replace the control printed circuit board or SVPM.
- (d) The motor (internal thermostat) is faulty.  
Replace the motor.

### 3.4.2 Alarm Code 02

The actual motor speed is largely deviated from the commanded speed.

- (1) If this alarm is issued during motor acceleration
  - (a) The parameter setting of acceleration/deceleration time is incorrect.  
Set the following parameter with the actual acceleration/deceleration time for your machine plus some margin.

FS0i	Description
4082	Setting of acceleration/deceleration time

- (b) The parameter for the speed detector is not set correctly.  
Referring to "FANUC AC SPINDLE MOTOR  $\alpha i/\beta i$  series Parameter Manual (B-65280EN)," set a correct value.
- (2) If this alarm is issued at a heavy cutting load
  - (a) The cutting load has exceeded the motor output power.  
Check the load meter indication, and review the use condition.
  - (b) The parameters for output restriction are not set correctly.  
Check that the settings of the following parameters satisfy the machine and motor specifications:

FS0i	Description
4028	Output restriction pattern setting
4029	Output restriction value

- (c) The parameters specific to the motor are not correctly.  
Referring to "FANUC AC SPINDLE MOTOR  $\alpha i/\beta i$  series Parameter Manual (B-65280EN)," check the motor-specific parameters.

### 3.4.3 Alarm Code 06

---

The temperature sensor is abnormal, or the temperature sensor cable is broken.

- (1) The parameters specific to the motor are not correctly.  
Referring to "FANUC AC SPINDLE MOTOR  $\alpha$ i/ $\beta$ i series Parameter Manual (B-65280EN)," check the motor-specific parameters.
- (2) Cable is faulty.  
Feedback cable is faulty.  
Replace the cable.
- (3) The control printed-circuit board is faulty.  
Replace the control printed-circuit board or SVPM.
- (4) A thermo sensor is faulty.  
Replace the motor (thermo sensor).

### 3.4.4 Alarm Code 07

---

The motor rotates at a speed exceeding 115% (standard setting) of the maximum allowable speed.

- (1) If this alarm is issued during spindle synchronization  
If one of the motors operating in spindle synchronization is deactivated (SFR or SRV) and activated again, the spindle motor may accelerate to its maximum rotation speed in order to eliminate the position error accumulated while the motor is off, resulting in this alarm being issued.  
Modify the ladder in such a way that this sequence will not be used.
- (2) SVPM is faulty.  
Replace the SVPM.

### 3.4.5 Alarm Code 09

---

The temperature of the heat sink of the SVPM has risen abnormally.

- (1) If this alarm is issued during cutting (the heat sink temperature is high)
  - (a) If this alarm is issued when the load meter reads a value below the continuous rating of the amplifier, check the cooling state of the heat sink.
    - <1> Check the cooling fan rotation. If the cooling fan is stopped or turns too slowly, replace the cooling fan.
    - <2> When the ambient temperature is higher than the specified temperature, lower the ambient temperature to satisfy the specification.
  - (b) When this alarm is issued because the load meter reads a value above the continuous rating of the amplifier, improve the use method.
  - (c) When the heat sink on the back of the amplifier is too dirty, clean the heat sink, for example, by blowing air. Consider the use of a structure that prevents the heat sink from being directly exposed to coolant.
- (2) If this alarm is issued under a light load (the heat sink temperature is high)
  - (a) When the frequency of acceleration/deceleration is too high Set such a use condition that the average including output at acceleration/deceleration does not exceed the continuous rating.
  - (b) The parameters specific to the motor are not set correctly. Referring to "FANUC AC SPINDLE MOTOR  $\alpha i/\beta i$  series Parameter Manual (B-65280EN)," check the motor-specific parameters.
- (3) Poor installation of the control printed-circuit board  
Be sure to push the faceplate as far as it will go. (This alarm may be displayed if one of the connectors for connection between the control printed-circuit board and power printed-circuit board is detached.)
- (4) If this alarm is issued when the heat sink temperature is low  
Replace the SVPM.

### 3.4.6 Alarm Code 12

---

An excessively large current flowed into the main circuit.  
This alarm indicates that the power module (IPM) of the main circuit detected an error such as an excessive load, overcurrent.

- (1) Check alarm code 09 as well.
- (2) Poor installation of the control printed-circuit board  
Be sure to push the faceplate as far as it will go. (This alarm may be displayed if one of the connectors for connection between the control printed-circuit board and power printed-circuit board is detached.)
- (3) If this alarm is issued immediately after a spindle rotation command is specified
  - (a) The motor power lead is faulty.  
Check for a short circuit between motor power leads and short-circuit to ground, and replace the power lead as required.
  - (b) The motor winding has an insulation failure.  
If the motor is short-circuited to ground, replace the motor.
  - (c) The parameters specific to the motor are not set correctly.  
Referring to "FANUC AC SPINDLE MOTOR  $\alpha i/\beta i$  series Parameter Manual (B-65280EN)," check the motor-specific parameters.
  - (d) The SVPM is faulty.  
A power element (IPM) may be destroyed. Replace the SVPM.
- (4) If this alarm is issued during spindle rotation
  - (a) A power element is destroyed.  
A power element (IPM) may be destroyed. Replace the SVPM.  
If the amplifier setting condition is not satisfied, or cooling is insufficient because the heat sink is dirty, the power elements may be destroyed.  
When the heat sink on the back of the amplifier is too dirty, clean the heat sink, for example, by blowing air. Consider the use of a structure that prevents the heat sink from being directly exposed to coolant.  
For the installation condition, refer to "FANUC SERVO AMPLIFIER  $\beta i$  series Descriptions (B-65322EN)."
  - (b) The parameters specific to the motor are not set correctly.  
Referring to "FANUC AC SPINDLE MOTOR  $\alpha i/\beta i$  series Parameter Manual (B-65280EN)," check the parameters specific to the motor.
  - (c) Speed sensor signal error  
Check the spindle sensor signal waveform. If an error is found, make an adjustment or replace the sensor as required.

- (d) The belt slips.  
The belt between the spindle and motor may slip. Clean the pulley, and tighten the belt again.

### **3.4.7 Alarm Code 15**

---

This alarm is issued only when output switching control or spindle switching control is used.

The SVPM does not support output switching control and spindle switching control.

- (1) Troubleshooting when this alarm is issued
  - (a) Avoid performing output switching control and spindle switching control.
  - (b) The SVPM is faulty.  
Replace the SVPM or SVPM control printed circuit board.

### **3.4.8 Alarm Code 18**

---

A sum check is abnormal.

If this alarm is issued, replace the SVPM or SVPM control printed-circuit board.

### **3.4.9 Alarm Codes 19 and 20**

---

The offset voltage of the phase U (alarm code 19) or phase V (alarm code 20) current detection circuit is excessively high. A check is made when the power is turned on.

If this alarm is issued, replace the SVPM. If this alarm is issued immediately after the SVPM control printed circuit board is replaced, check the plugging of the connectors between the power unit and SVPM control printed circuit board.

### **3.4.10 Alarm Code 21**

---

The specified polarity of the position sensor is incorrect.

Troubleshooting when this alarm is issued

- (a) Check the position sensor polarity parameter (bit 4 of parameter No. 4001).
- (b) Check the feedback cable of the position sensor.

### 3.4.11 Alarm Code 24

---

Serial communication data transferred between the CNC and SVPM contains an error. <sup>(Note)</sup>

Troubleshooting when this alarm is issued

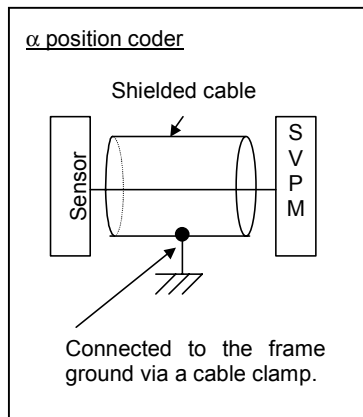
- (a) Noise occurring between the CNC and SVPM (connected via an electric cable) caused an error in communication data.  
Check the condition for maximum wiring length.
- (b) Noise exercises an influence because a communication cable is bundled with the power lead.  
If a communication cable is bundled with the power lead for the motor, separate them from each other.
- (c) A cable is faulty.  
Replace the cable.  
If an optical I/O link adapter is used, the optical link adapter or optical cable may be faulty.
- (d) The SVPM is faulty.  
Replace the SVPM or SVPM control printed circuit board.
- (e) The CNC is faulty.  
Replace the board or module related to the serial spindle.

**NOTE**

This alarm is issued also if the CNC power is off.  
This is not a failure, though.

### 3.4.12 Alarm Code 27

The signal of the  $\alpha$  position coder is disconnected.



- (1) If this alarm is issued when the motor is deactivated
  - (a) The setting of a parameter is incorrect.  
Referring to "FANUC AC SPINDLE MOTOR  $\alpha$ i/ $\beta$ i series Parameter Manual (B-65280EN)," check the parameter for sensor setting.
  - (b) The cable is disconnected.  
If the connection of the feedback cable is correct, replace the cable.
  - (c) The SVPM is faulty.  
Replace the SVPM or SVPM control printed circuit board.
- (2) If this alarm is issued when the cable is moved
  - (a) The connector has a bad contact, or the cable is disconnected.  
The conductor may be broken. Replace the cable. If coolant has penetrated into the connector, clean the connector.
- (3) If this alarm is issued when the motor rotates
  - (a) The shielding of the cable between the sensor and the SVPM is faulty.  
Check the shielding of the cable.
  - (b) The signal cable is bundled with the servo motor and spindle motor power lead.  
If the cable between the sensor and the SVPM is bundled with the servo motor and spindle motor power lead, separate them from each other.



### 3.4.13 Alarm Code 29

---

An excessive load (standard setting: load meter reading of 9.5 V) has been applied continuously for a certain period (standard setting: 30 seconds).

- (1) If this alarm is issued during cutting  
Check the load meter, and review the cutting condition.
- (2) If this alarm is issued during a stop
  - (a) The spindle is locked.  
Check the sequence to see if the spindle is locked when a command for very slow movement is specified or orientation is specified for the spindle.
- (3) If the spindle does not rotate as specified (the spindle rotates at a very low speed) and this alarm is issued
  - (a) The setting of a parameter is incorrect.  
Referring to "FANUC AC SPINDLE MOTOR  $\alpha$ i/ $\beta$ i series Parameter Manual (B-65280EN)," check the parameter for sensor setting.
  - (b) The phase sequence of the motor power lead is incorrect.
  - (c) The feedback cable of the motor has a problem.  
Check if the phase A/B signals are connected correctly.
  - (d) The feedback cable of the motor is faulty.  
Rotate the motor manually to see if a speed is indicated in the item of motor speed on the CNC diagnosis screen or on the spindle check board. If no speed indication is provided, replace the cable or spindle sensor (or motor).
- (4) If the spindle does not rotate as specified (the spindle does not rotate at all) and this alarm is issued
  - (a) The power lead is abnormal.  
Check if the motor power lead is connected normally.
  - (b) The SVPM is faulty.  
Replace the SVPM.

### 3.4.14 Alarm Code 31

---

The motor failed to rotate as specified, and has stopped or is rotating at a very low speed.

- (1) If the motor rotates at a very low speed and this alarm is issued
  - (a) The setting of a parameter is incorrect.  
Referring to "FANUC AC SPINDLE MOTOR  $\alpha$ i/ $\beta$ i series Parameter Manual (B-65280EN)," check the parameter for sensor setting.
  - (b) The motor phase sequence is incorrect.  
Check if the motor phase sequence is correct.
  - (c) The feedback cable of the motor has a problem.  
Check if the phase A/B signals are connected correctly.
  - (d) The feedback cable of the motor is faulty.  
Rotate the motor manually to see if a speed is indicated in the item of motor speed on the CNC diagnosis screen or on the spindle check board. If no speed indication is provided, replace the cable or spindle sensor (or motor).
- (2) If the motor does not rotate at all and this alarm is issued
  - (a) The sequence for locking the spindle is incorrect.  
Check the sequence to see if the spindle is locked.
  - (b) The power lead is faulty.  
Check if the power lead is connected to the motor correctly.
  - (c) The SVPM is faulty.  
Replace the SVPM.

### 3.4.15 Alarm Code 32

---

LSI memory for serial communication is abnormal. A check is made when the power is turned on.

If this alarm is issued, replace the SVPM control printed circuit board.

### 3.4.16 Alarm Code 34

---

Parameter data outside the specifiable range was set.

Troubleshooting when this alarm is issued

Connect the spindle check board.

The spindle check board displays "AL-34" and "F-xxx" alternately. "F-xxx" indicates a parameter number outside the specifiable range. For the correspondence between the CNC parameter numbers and "F-xxx," refer to "FANUC AC SPINDLE MOTOR  $\alpha$ i/ $\beta$ i series Parameter Manual (B-65280EN)."

### 3.4.17 Alarm Code 36

The error counter overflowed.

- (1) The setting of a parameter is incorrect.
  - (a) The gear ratio set in a parameter is incorrect.  
Check if an excessively large gear ratio is set.
  - (b) The setting of a position gain is incorrect.  
If the gear ratio data is correct, increase the position gain.

FS0 <i>i</i>	Description
4056 to 4059	Gear ratio between the spindle and motor
4060 to 4063	Position gain at orientation
4065 to 4068	Position gain in the servo mode/spindle synchronization
4069 to 4072	Position gain in Cs contour control

- (2) Sequence error
  - (a) Check if the motor is deactivated (by turning off SFR/SRV) in a position control mode.

### 3.4.18 Alarm Code 37

After emergency stop signal input, the motor is accelerated without being decelerated. This alarm is issued also when the motor is not deactivated (the motor is not decelerated completely) when the acceleration/deceleration time (initial parameter setting: 10 seconds) has elapsed after emergency stop signal input.

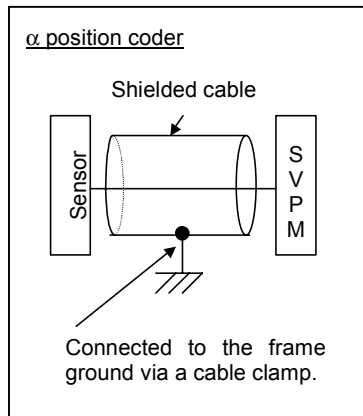
Troubleshooting when this alarm is issued

- (a) The parameter setting of the speed detector is incorrect.  
Referring to Chapter 1 in "FANUC AC SPINDLE MOTOR  $\alpha$ i/ $\beta$ i series Parameter Manual (B-65280EN)," set a correct time.
- (b) The parameter setting of an acceleration/deceleration time is not proper.  
Check the parameter-set value and actual acceleration/deceleration time, then set an actual acceleration/deceleration time plus some margin.

FS0 <i>i</i>	Description
4082	Acceleration/deceleration time setting

### 3.4.19 Alarm Code 41

The position where the one-rotation signal of the  $\alpha$  position coder is generated is incorrect.



Troubleshooting when this alarm is issued

- The setting of a parameter is incorrect.  
Referring to "FANUC AC SPINDLE MOTOR  $\alpha$ i/ $\beta$ i series Parameter Manual (B-65280EN)," check the parameter for sensor setting.
- The  $\alpha$  position coder is faulty.  
Observe the Z signal of the position coder. If the signal is not generated per rotation, replace the position coder.
- The shielding of the cable between the sensor and SVPM is faulty.  
Check the shielding of the cable.
- The signal cable is bundled with the servo motor or spindle motor power lead.  
If the cable between the sensor and SVPM is bundled with the servo motor or spindle motor power lead, separate them from each other.
- The SVPM is faulty.  
Replace the SVPM or SVPM control printed circuit board.

### 3.4.20 Alarm Code 42

The one-rotation signal of the  $\alpha$  position coder is not generated.

Troubleshooting when this alarm is issued

- The setting of a parameter is incorrect.  
Referring to "FANUC AC SPINDLE MOTOR  $\alpha$ i/ $\beta$ i series Parameter Manual (B-65280EN)," check the parameter for sensor setting.
- The  $\alpha$  position coder is faulty.  
Check the check pin PSD on the spindle check board. If the signal is not generated per rotation, replace the connection cable and position coder.
- The SVPM is faulty.  
Replace the SVPM or SVPM control printed circuit board.

### 3.4.21 Alarm Code 46

The one-rotation signal of the position coder cannot be detected normally during thread cutting.

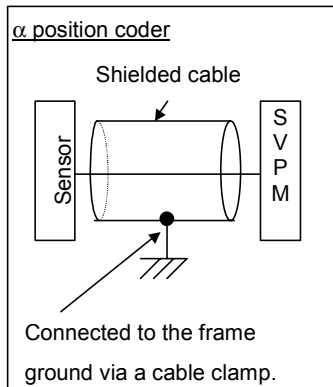
Troubleshoot as in the case of alarm code 41.

### 3.4.22 Alarm Code 47

The count value of  $\alpha$  position coder signal pulses is abnormal.

Phases A and B for the position coder have a feedback pulse count of 4096 p/rev per spindle rotation. The SVPM checks the pulse counts of phases A and B equivalent to the position coder each time a one-rotation signal is generated. The alarm is issued when a pulse count beyond the specified range is detected.

- (1) If this alarm is issued when the cable is moved (as in the case where the spindle moves)  
The conductor may be broken. Replace the cable. If coolant has penetrated into the connector, clean the connector.



- (2) Troubleshooting in other cases
  - (a) The setting of a parameter is incorrect.  
Referring to "FANUC AC SPINDLE MOTOR  $\alpha$ i/ $\beta$ i series Parameter Manual (B-65280EN)," check the parameter for sensor setting.
  - (b) The shielding of the cable between the sensor and SVPM is faulty.  
Check the shielding of the cable.
  - (c) The signal cable is bundled with the servo motor or spindle motor power lead.  
If the cable between the sensor and SVPM is bundled with the servo motor or spindle motor power lead, separate them from each other.
  - (d) The SVPM is faulty.  
Replace the SVPM or SVPM control printed circuit board.

### 3.4.23 Alarm Code 50

A value obtained by internal calculation in spindle synchronization exceeded the allowable range.

Troubleshooting when this alarm is issued

- (a) The setting of parameters for gear ratio setting is incorrect.  
Check if an excessively large gear ratio is set.
- (b) Position gain setting limit  
If correct gear ratio data is set, increase the position gain value in spindle synchronization.

FS0i	Description
4056 to 4059	Gear ratio between the spindle and motor
4065 to 4068	Position gain in the servo mode/spindle synchronization

### 3.4.24 Alarm Codes 52 and 53

The synchronization signal (ITP) in communication data transferred to and from the CNC stopped.

Troubleshooting when this alarm is issued

- (a) The SVPM is faulty.  
Replace the SVPM or SVPM control printed circuit board.
- (b) The CNC is faulty.  
Replace the board or module related to the serial spindle.

### 3.4.25 Alarm Code 54

A large current flowing in the motor for a long time was detected.

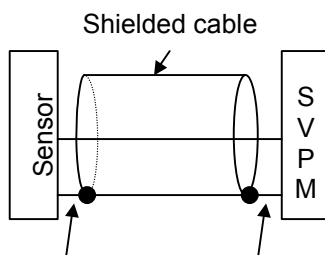
Troubleshoot as in the case of alarm code 29.

### 3.4.26 Alarm Code 73

The signal of the motor sensor is disconnected.

- (1) If this alarm is issued when the motor is deactivated
  - (a) The setting of a parameter is incorrect.  
Referring to "FANUC AC SPINDLE MOTOR  $\alpha i/\beta i$  series Parameter Manual (B-65280EN)," check the parameter for sensor setting.
  - (b) The cable is disconnected.  
Replace the cable.
  - (c) The sensor is not adjusted correctly.  
Adjust the sensor signal. If the sensor signal cannot be adjusted correctly, or the sensor signal is not observed, replace the connection cable and sensor.
  - (d) The SVPM is faulty.  
Replace the SVPM or SVPM control printed circuit board.
- (2) If this alarm is issued when the cable is moved (as in the case where the spindle moves)  
The conductor may be broken. Replace the cable. If coolant has penetrated into the connector, clean the connector.
- (3) If this alarm is issued when the motor rotates
  - (a) The shielding of the cable between the sensor and the SVPM is faulty.  
Check the shielding of the cable.
  - (b) The signal cable is bundled with the servo motor or spindle motor power lead.  
If the cable between the sensor and the SVPM is bundled with the servo motor or spindle motor power lead, separate them from each other.

MZi sensor



The cable is connected to the pin specified in the Descriptions on the sensor side.

The cable is connected to pin 10 on the SVPM side.

### **3.4.27 Alarm Code 75**

---

An abnormality was detected during control program transfer processing.

Troubleshooting when this alarm is issued

- (a) The SVPM is faulty.  
Replace the SVPM or SVPM control printed circuit board.

### **3.4.28 Alarm Code 79**

---

An abnormality was detected during control program initialization.

Troubleshooting when this alarm is issued

- (a) The SVPM is faulty.  
Replace the SVPM or SVPM control printed circuit board.

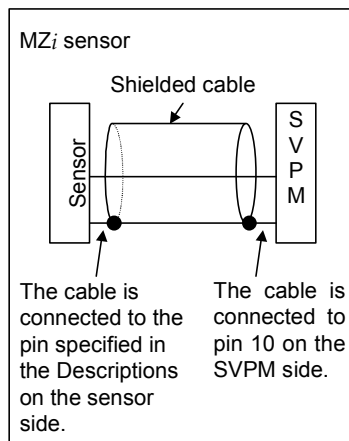
### 3.4.29 Alarm Code 81

The position where the one-rotation signal of the motor sensor is generated is incorrect.

- (1) If the external one-rotation signal is used
  - (a) The settings of parameters are incorrect.  
Check that the gear ratio data matches the specification of the machine.

FS0i	Description
4171	Denominator of gear ratio between motor sensor and spindle
4173	
4172	Numerator of gear ratio between motor sensor and spindle
4174	

- (b) Slippage between the spindle and motor  
Check that there is no slippage between the spindle and motor. The external one-rotation signal is not applicable to V-belt connection.



- (2) Troubleshooting in other cases
  - (a) The setting of a parameter is incorrect.  
Referring to "FANUC AC SPINDLE MOTOR  $\alpha i/\beta i$  series Parameter Manual (B-65280EN)," check the parameter for sensor setting.
  - (b) A sensor (MZi sensor) is not adjusted correctly.  
Adjust the sensor signal. If the sensor signal cannot be adjusted correctly, or the sensor signal is not observed, replace the connection cable and sensor.
  - (c) The shielding of the cable between the sensor and SVPM is faulty.  
Check the shielding of the cable.
  - (d) The signal cable is bundled with the servo motor or spindle motor power lead.  
If the cable between the sensor and SVPM is bundled with the servo motor or spindle motor power lead, separate them from each other.
  - (e) The SVPM is faulty.  
Replace the SVPM or SVPM control printed circuit board.



### 3.4.30 Alarm Code 82

The one-rotation signal of the motor sensor is not generated.

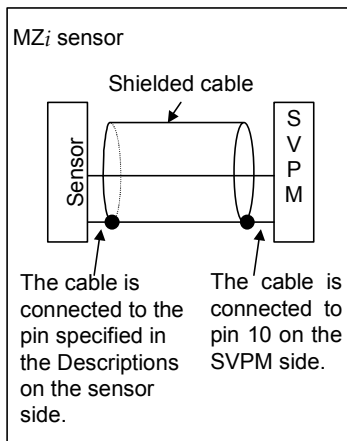
Troubleshooting when this alarm is issued

- (a) The setting of a parameter is incorrect.  
Referring to "FANUC AC SPINDLE MOTOR  $\alpha$ i/ $\beta$ i series Parameter Manual (B-65280EN)," check the parameter for sensor setting.
- (b) The MZi sensor is not adjusted correctly.  
Adjust the sensor. If the sensor cannot be adjusted or the signal is not observed, replace the connection cable and sensor.
- (c) The external one-rotation signal is faulty.  
Check the check pin EXTSC1 on the spindle check board. If the signal is not generated per rotation, replace the connection cable and position coder.
- (d) The SVPM is faulty.  
Replace the SVPM or SVPM control printed circuit board.

### 3.4.31 Alarm Code 83

The SVPM checks the pulse counts of phases A and B each time a one-rotation signal is generated. The alarm is issued when a pulse count beyond the specified range is detected.

- (1) If this alarm is issued when the cable is moved (as in the case where the spindle moves)  
The conductor may be broken. Replace the cable. If coolant has penetrated into the connector, clean the connector.



- (2) Troubleshooting in other cases
  - (a) The setting of a parameter is incorrect.  
Referring to "FANUC AC SPINDLE MOTOR  $\alpha$ i/ $\beta$ i series Parameter Manual (B-65280EN)," check the parameter for sensor setting.
  - (b) The MZi sensor is not adjusted correctly.  
Adjust the sensor. If the sensor cannot be adjusted or the signal is not observed, replace the connection cable and sensor.
  - (c) The shielding of the cable between the sensor and SVPM is faulty.  
Check the shielding of the cable.
  - (d) The signal cable is bundled with the servo motor or spindle motor power lead.  
If the cable between the sensor and SVPM is bundled with the servo motor or spindle motor power lead, separate them from each other.
  - (e) The SVPM is faulty.  
Replace the SVPM or SVPM control printed circuit board.

---

### 3.4.32 Alarm Code 84

---

The spindle sensor signal was disconnected.  
Refer to Alarm Code 73 for this alarm trouble shooting.

---

### 3.4.33 Alarm Code 85

---

The one-rotation signal of the spindle sensor occurred in an incorrect location.  
Refer to Alarm Code 81 for this alarm trouble shooting.

---

### 3.4.34 Alarm Code 86

---

No spindle sensor one-rotation signal occurred.  
Refer to Alarm Code 82 for this alarm trouble shooting.

---

### 3.4.35 Alarm Code 87

---

A spindle sensor signal is abnormal.  
Refer to Alarm Code 83 for this alarm trouble shooting.

---

### 3.4.36 Alarm Codes A, A1, and A2

---

The control program is not running.  
An error was detected when the control program was running.

- (1) If this alarm is issued when the spindle amplifier power is switched on
  - (a) Wrong software specification
  - (b) Defective printed-circuit board  
Replace the SVPM or SVPM control printed-circuit board.
- (2) If this alarm is issued when the motor is active.
  - (a) Influence by noise  
Check the grounding wire. If the spindle sensor signal wire is bundled together with servo motor or spindle motor power wire, separate them.

---

### 3.4.37 Alarm Codes C0,C1, and C2

---

An error occurred in serial communication data between the CNC and spindle amplifier module.

Troubleshooting when this alarm is issued

- (a) The SVPM is defective.  
Replace the SVPM or SVPM control printed-circuit board.
- (b) The CNC is defective.  
Replace the board or module related to the serial spindle.

### 3.4.38 Alarm Code 35

There is a large difference between the motor speed calculated from the position coder and the motor speed estimated with the spindle software.

- (1) If an alarm is issued when a rotation command is entered
  - (a) Error in the position coder setting parameter  
 Correctly specify the bits representing the relationships between the direction of position coder rotation and that of spindle rotation and between the direction of spindle rotation and that of motor rotation.

FS0i	Description
4000#0	Spindle and spindle motor rotation directions
4001#4	Spindle sensor (position coder) mounting direction

- (b) Invalid gear ratio parameter setting  
 Check to see if an incorrect gear ratio has been specified. This value is used to convert the position coder speed to the motor speed. Be sure to specify the correct value.

FS0i	Description
4056 to 4059	Spindle-motor gear ratio data

- (c) Clutch/gear signal error  
 Make sure that the entered clutch/gear signals (CTH1A, CTH2A) are correct with respect to the actually selected gear.

	FS0i	#7	#6	#5	#4	#3	#2	#1	#0
First spindle	G070					CTH1A	CTH2A		

- (d) Belt slippage between the spindle and spindle motor  
 Make adjustments so that no belt slippage will occur between the spindle and spindle motor.

- (2) If an alarm is issued during a cutting operation  
 An overload has occurred to decrease the motor speed. Review the cutting condition.

# 4

## HOW TO REPLACE THE FUSES AND PRINTED CIRCUIT BOARDS

---



### WARNING

Before replacing fuses or printed-circuit boards, make sure that the recharge-under-way LED (red) is off.

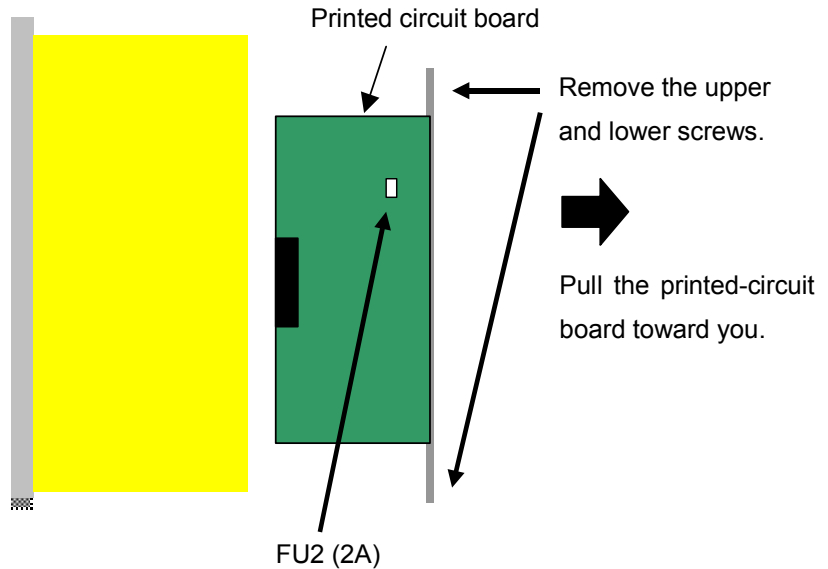
Before replacing fuses or printed circuit boards of the SVPM, see the table given below to find which section or subsection in this manual provides information about the related replacement procedure.

### NOTE

- 1 If a fuse blows, it is likely that there is a short-circuit in the power supply for a device (such as a sensor) connected to the SVPM.  
After checking that all devices connected to the servo amplifier are normal, replace the fuse.  
If you do not remove the cause, it is very much likely that the fuse will blow again.
- 2 Do not use any fuse not supplied from FANUC.
- 3 Before replacing a fuse, check a marking on it with that on the printed-circuit board. Be careful not to mount a fuse with an incorrect rating.

## 4.1 HOW TO REPLACE THE FUSES AND PRINTED CIRCUIT BOARDS

In the SVPM, a printed-circuit board can be removed and inserted from the front of the servo amplifier.



Fuse specification

Symbol	Ordering number
FU1	A60L-0001-0290/LM32C

When replacing the fuse, be sure to confirm the fuse specification. Insert the fuse in the fuse socket securely.

When replacing the printed circuit board, fasten the upper and lower screws securely.

Poor connector contact may cause an unpredictable problem.



## **V. MOTOR MAINTENANCE**





# 1

## SERVO MOTOR MAINTENANCE

---

Generally,  $\beta$ is series AC servo motors have no parts that wear off or that must be replaced periodically, unlike DC servo motors, which have brushes that must be replaced periodically.

However, you should perform periodic maintenance for servo motors so as to keep their initial performance as long as possible and to prevent breakdowns. AC servo motors have precision sensors. Their incorrect use or damage caused during transportation or assembling can result in breakdowns or accidents. We recommend that you inspect the servo motors periodically according to the descriptions given below.

## **1.1 RECEIVING AND KEEPING AC SERVO MOTORS**

---

When you receive an AC servo motor, make sure that:

- The motor is exactly the one you ordered, in terms of model, shaft, and sensor specifications.
- No damage has been caused on the motor.

Because FANUC inspects servo motors strictly before shipment, you do not, in principle, have to inspect them when you receive them.

The servo motors should be kept indoors as a rule. The storage temperature range is -20 to +60°C. Do not place or install AC servo motors in the place where:

- It is extremely humid and dew is prone to form,
- There is a steep change in temperature,
- There is constant vibration, which may cause damage to the shaft bearings, or
- There is lots of dust and trash.

## 1.2 DAILY INSPECTION OF AC SERVO MOTORS

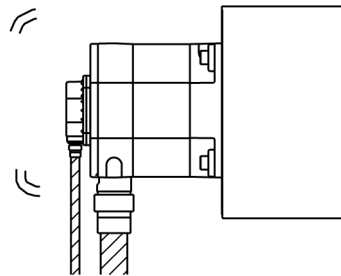
Before starting operation, or periodically (once a week or month), you should inspect the AC servo motors in terms of the following:

### (1) Vibration and noise

Check the motor for abnormal vibration (by the hand) and noise (by the ear) when the motor is:

- Not rotating
- Rotating at low speed
- Accelerating or decelerating

If you find anything unusual, contact your FANUC service staff.

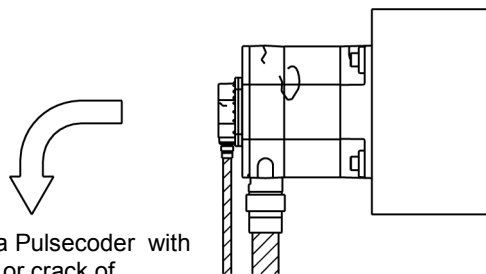


### (2) Damage on the outside

Check the Pulsecoder cover (red plastic) for crevices and the motor surface (black coating) for scratches and cracks.

If you find a crevice in the Pulsecoder cover, you should replace it. For how to replace, see the description about the Pulsecoder in Section 1.4. If you are not sure about replacement, contact your FANUC service staff.

If there is a scratch or crack on the motor surface, the user should repair it by himself as required. If coating has come off, dry the portion of interest (or the entire surface) and coat it with paint for machines such as urethane paint.



Replace a Pulsecoder with a crevice or crack of Pulsecoder cover

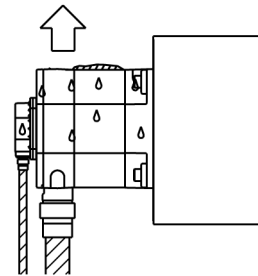
### (3) Stains and smudges

Check the motor surface and bolt holes for oil or coolant.

Wipe off oil and coolant on the motor surface periodically. Oil or coolant can damage the coating by chemical reaction, possibly leading to a failure.

Also check how such a liquid leaks onto the motor, and repair if needed.

Wipe off oil and coolant on the motor surface periodically.



### (4) Overheating

Check to see if the motor is too hot during normal operation.

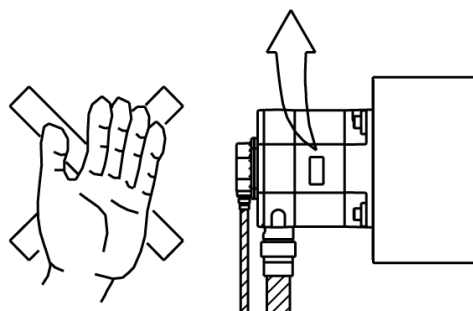
Attach a thermolabel on the motor surface and check it visually to see if the motor becomes too hot during normal operation.



#### **CAUTION**

Temperature on the motor surface can exceed 80°C under some conditions. Never touch it by the hand.

Attach a thermolabel and check it visually.



## 1.3 PERIODIC INSPECTION OF AC SERVO MOTORS

We recommend that you inspect the AC servo motors for the following items at least once a year.

### (1) Observation of torque command (TCMD) and speed command (VCMD) waveforms

Observe normal voltage waveforms with an oscilloscope, and keep notes of them. During periodic inspection, check the current waveforms with the records.

The waveforms vary according to the operating conditions such as load and cutting speed. Note that you should make comparisons under the same condition (for example, during fast traverse to the reference position or low-speed cutting).

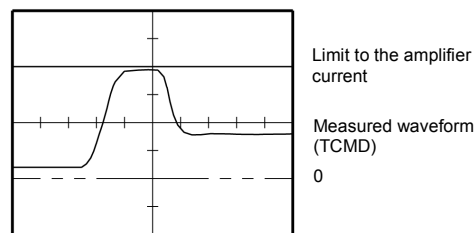
See descriptions on the check boards in FANUC AC Servo Motor  $\alpha$ s/ $\alpha$ i/ $\beta$ is series Parameter Manual (B-65270EN) for detailed inspection procedures.

### (2) Diagnosis by waveforms

Check the measured waveforms to see whether:

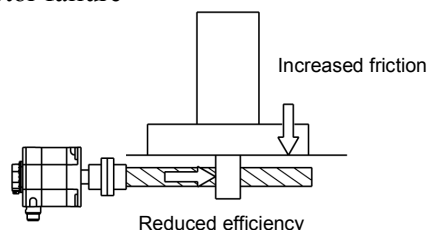
#### <1> The peak current is within the limit to the current in the amplifier during rapid traverse, acceleration, or deceleration.(TCMD)

The limit to the amplifier current is listed below. A voltage of 4.44 V is indicated when the current flowing through the amplifier is equal to the current limit for the amplifier (common to all models).



⇒ The motor used to accelerate/decelerate with the amplifier current within the limit (the acceleration/deceleration torque used to be sufficient), but something is wrong now. If this is the case, the probable causes are:

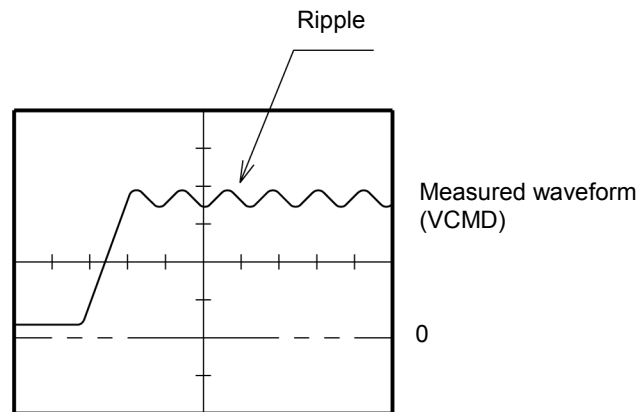
- The load conditions in the machine have changed because of changed friction or reduced machine efficiency after long period of use.
- Motor failure



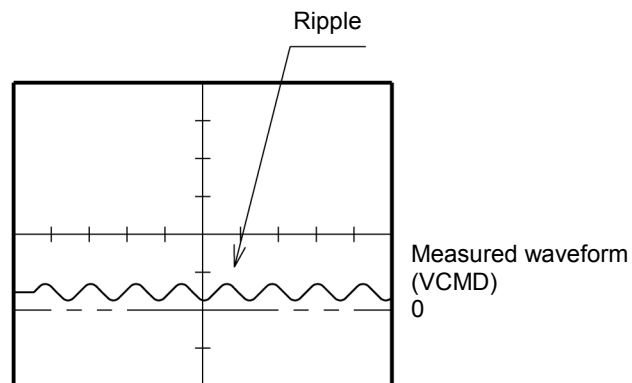
[Table 1]

Models	Current value
$\beta 0.2/5000is$ , $\beta 0.3/5000is$	4Ap
$\beta 0.4/5000is$ , $\beta 0.5/5000is$ , $\beta 1/5000is$ , $\beta 2/4000is$ , $\beta 4/4000is$ , $\beta 8/3000is$	20Ap
$\beta 12/3000is$ , $\beta 22/2000is$	40Ap

<2> The waveform has ripple during constant-speed feeding (VCMD).



<3> The current waveform has ripple or jumps when the motor is not rotating (VCMD).



If you find anything unusual in relation to the above items <1> to <3>, contact your FANUC service staff.

### (3) Winding and insulation resistances.

Measure check its winding and insulation resistances.

Note that extremely severe inspections (such as dielectric strength tests) of a motor may damage its windings. For the winding resistances of motors, refer to FANUC AC SERVO MOTOR  $\beta is$  series Descriptions (B-65302EN), or ask FANUC. For insulation resistances, see the following table.

**MOTOR INSULATION RESISTANCE MEASUREMENT**

Measure an insulation resistance between each winding and motor frame using an insulation resistance meter (500 VDC). Judge the measurements according to the following table.

<b>Insulation resistance</b>	<b>Judgment</b>
100MΩ or higher	Acceptable
10 to 100 MΩ	The winding has begun deteriorating. There is no problem with the performance at present. Be sure to perform periodic inspection.
1 to 10 MΩ	The winding has considerably deteriorated. Special care is in need. Be sure to perform periodic inspection.
Lower than 1 MΩ	Unacceptable. Replace the motor.

**NOTE**

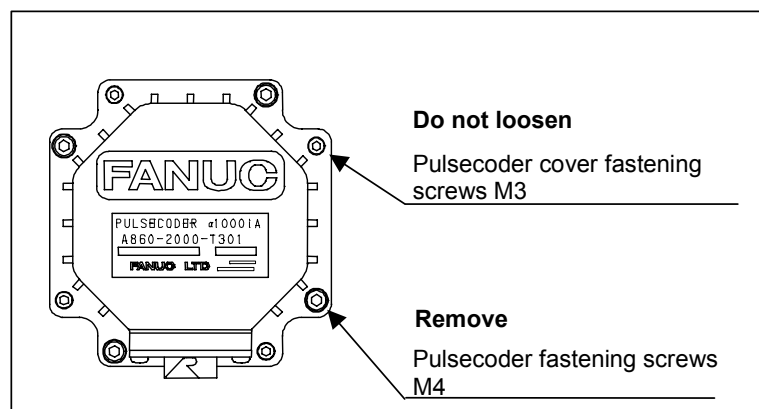
If the insulation resistance steeply drops within a short period of time, it is likely that liquid such as coolant may have entered from the outside. Check the drip-proof environment again (by referring to Section 2.1, "USE ENVIRONMENT FOR SERVO MOTORS," in Chapter I in "FANUC AC SERVO MOTOR  $\beta$ is series Descriptions (B-65302EN)).

## 1.4 REPLACING THE PULSECODER

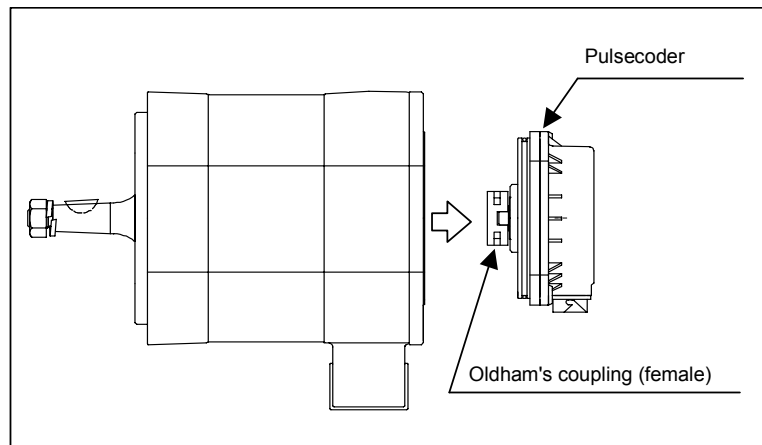
This section explains how to replace the Pulsecoder and motor cover, assuming that the Pulsecoder has broken down and is in need of immediate replacement.

When replacing the Pulsecoder and motor cover, be careful not to give a shock to the Pulsecoder or motor, because they are precision devices prone to a breakdown. Also keep them from dust and cutting chips.

- <1> Remove the four M4 hexagonal socket head bolts that fasten the Pulsecoder. Do not loosen the M3 bolts near each M4 bolt.

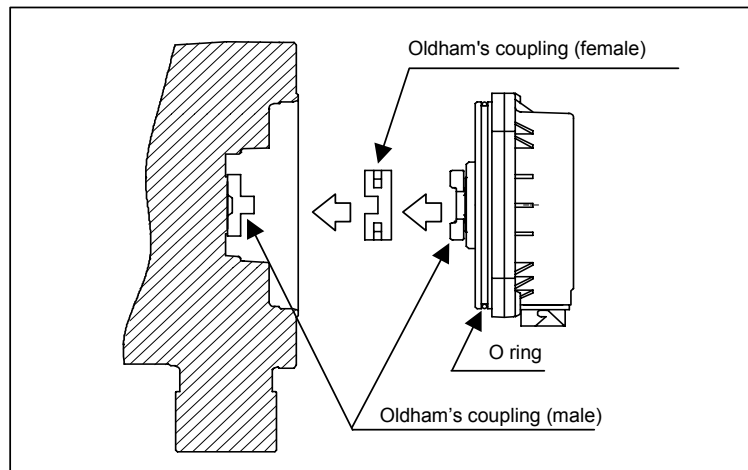


- <2> Remove the Pulsecoder and Oldham's coupling.

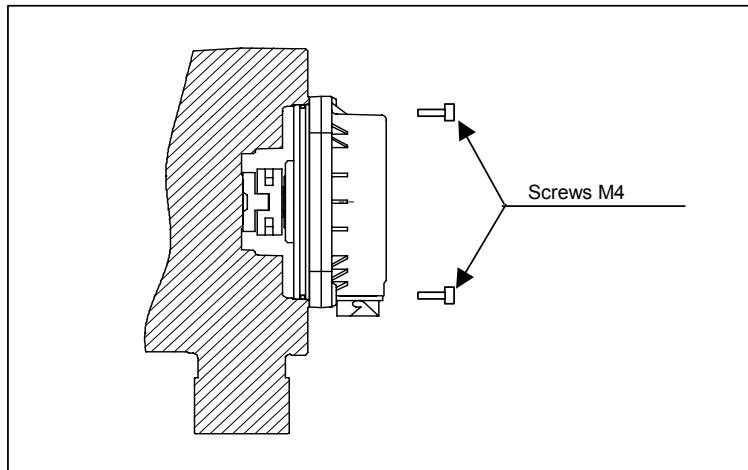




- <3> Set a new Pulsecoder and a new Oldham's coupling in the motor. Place the Oldham's coupling with the correct orientation, and engage the teeth. Push in the Pulsecoder until the O ring on the Pulsecoder settles in between the motor pocket and Pulsecoder pocket. Be careful not allow the O ring to be caught between other parts.



- <4> Fasten the Pulsecoder with the four M4 hexagonal socket head bolts.



## **1.5 SPECIFICATION NUMBERS OF REPLACEMENT PARTS**

---

The following lists the ordering specification numbers for maintenance:

- (1) Ordering specifications of Pulsecoders  
A860-2020-T301:  $\beta 128iA$
- (2) Oldham's coupling  
A290-0501-V535

# 2

## SPINDLE MOTOR MAINTENANCE

---

## 2.1 PREVENTIVE MAINTENANCE

To maintain the original performance and reliability of the spindle motor for a long time, it is necessary to inspect them as described below.

### (1) Visual inspection



#### WARNING

Be careful not to be struck by electric shocks or caught in gears or other mechanisms during inspection. When taking corrective actions, keep the entire machine switched off.

Inspection item	Symptom	Action	
Noise or abnormal vibration	There is unusual noise or vibration. The vibration acceleration of the motor exceeds 0.5 G at the maximum speed.	Check the following and take necessary actions: <ul style="list-style-type: none"> <li>• Base and installation</li> <li>• Centering accuracy of directly coupled section</li> <li>• Abnormal sound from motor shaft bearings (See "Motor shaft bearing" below.)</li> <li>• Vibration of or noise from the reducer or belts</li> <li>• Amplifier failure</li> <li>• Fan motor failure (See "Fan motor" below.)</li> </ul>	
Cooling air path	The cooling air path is clogged with dust.	Clean the stator vents and fan motor on a regular basis.	
Motor surface	Coolant on the motor surface.	<ul style="list-style-type: none"> <li>• Clean the motor surface.</li> <li>• If the motor is splashed excessively with coolant, place a cover or take a similar action.</li> </ul>	
Fan motor	Not rotating.	If the fan motor can be rotated by the hand,	Replace the fan motor.
		If the fan motor cannot be rotated by the hand,	Remove foreign materials, if any. Adjust its mounting position by loosening the bolts and tightening them again. If unusual noise still remains, replace the fan motor.
	Unusual sound	Remove foreign materials, if any. Adjust its mounting position by loosening the bolts and tightening them again. If unusual noise still remains, replace the fan motor.	
Motor shaft bearing	Unusual sound from the motor shaft bearing	Replace the shaft bearing, and check the shaft for centering accuracy. Also check on the radial load. Before replacing the shaft bearing, contact your FANUC service staff.	
Internal condition of the terminal box	Coolant in the terminal box	Check the terminal box lid and conduit packing. If there is lot of fluid on the terminal box surface, protect the terminal box by installing a shelter over it.	
	Loosen screw in the terminal block	<ul style="list-style-type: none"> <li>• Tighten the screw.</li> <li>• Check whether there is abnormal vibration during motor rotation.</li> </ul>	

## (2) Checking the insulation between the winding and frame

Use a megohmmeter to measure the insulation resistance on 500 VDC. From the measurement result, determine whether the insulation is acceptable or not according to the following criteria:

- More than 100 M $\Omega$  : Acceptable
- 10 to 100 M $\Omega$  : Deterioration has started. Although there is no performance problem, periodic check is required.
- 1 to 10 M $\Omega$  : Deterioration is in an advanced state. Special care must be taken. Periodic check is required.
- Less than 1 M $\Omega$  : Unacceptable. Replace the motor.

### CAUTION

- 1 Before measuring insulation resistance, disconnect the connection to the amplifier. If insulation resistance is measured with the amplifier connected, the spindle amplifier module may be damaged.
- 2 During the measurement of insulation resistance, applying voltage to the motor for a long time may further deteriorate the insulation of the motor. Therefore, the measurement of insulation resistance should be performed in a minimum amount of time where possible.

## 2.2 MAINTENANCE PARTS

---

### (1) Parts of the terminal box

Model	Terminal box assembly	Lid of terminal box
$\beta$ 3/10000 <i>i</i> , $\beta$ 6/10000 <i>i</i>	A290-1404-T400	A290-0853-V410
$\beta$ 8/8000 <i>i</i> , $\beta$ 12/7000 <i>i</i>	A290-1406-T400	A290-0854-V410

### (2) Fan motor parts

Model	Fan cover (*)	Fan motor	Exhaust direction
$\beta$ 3/10000 <i>i</i> , $\beta$ 6/10000 <i>i</i>	A290-1404-T500	A90L-0001-0514/R	Rear
	A290-1404-T501	A90L-0001-0514/F	Front
$\beta$ 8/8000 <i>i</i> , $\beta$ 12/7000 <i>i</i>	A290-1406-T500	A90L-0001-0515/R	Rear
	A290-1406-T501	A90L-0001-0515/F	Front

## 2.3 ALLOWABLE RADIAL LOAD

### (1) $\beta i$ series

Use motor output axes under the allowable radial load listed below or less:

Model	Allowable radial load	
	Output axis end	Center of output axis
$\beta 3/10000i$	882N (90kgf)	999N (102kgf)
$\beta 6/10000i$	1470N (150kgf)	1607N (164kgf)
$\beta 8/8000i$	1960N (200kgf)	2205N (225kgf)
$\beta 12/7000i$	2940N (300kgf)	3371N (344kgf)

#### NOTE

- 1 When using a belt, adjust the tension of the belt so that the allowable value listed above is not exceeded.  
If the machine tool is to run with the allowable value exceeded, examine use of support bearings in the machine tool so that its reliability can be maintained for a long time. (If the allowable value is exceeded, it is likely that noise may have occurred.)
- 2 When the belt tension center is positioned beyond the end of an output axis, the allowable load becomes smaller than that at the end of the output axis.
- 3 If a load in the thrust direction is put on a helical gear, the shaft shifts in the thrust direction. As a rule, therefore, avoid such a load on the helical gear.





# INDEX

## <A>

A specified speed cannot be obtained.....	83
About the spindle control and spindle status signals ....	104
Address descriptions and initial values (SVPM) .....	94
Alarm Code 01.....	147
Alarm Code 02.....	148
Alarm Code 06.....	149
Alarm Code 07.....	149
Alarm Code 09.....	150
Alarm Code 12.....	151
Alarm Code 15.....	152
Alarm Code 18.....	152
Alarm Code 21.....	152
Alarm Code 24.....	153
Alarm Code 27.....	154
Alarm Code 29.....	155
Alarm Code 31.....	156
Alarm Code 32.....	156
Alarm Code 34.....	156
Alarm Code 35.....	165
Alarm Code 36.....	157
Alarm Code 37.....	157
Alarm Code 41.....	158
Alarm Code 42.....	158
Alarm Code 46.....	158
Alarm Code 47.....	159
Alarm Code 50.....	159
Alarm Code 54.....	160
Alarm Code 73.....	160
Alarm Code 75.....	161
Alarm Code 79.....	161
Alarm Code 81.....	162
Alarm Code 82.....	163
Alarm Code 83.....	163
Alarm Code 84.....	164
Alarm Code 85.....	164
Alarm Code 86.....	164
Alarm Code 87.....	164
Alarm Codes 19 and 20 .....	152
Alarm Codes 52 and 53 .....	160
Alarm Codes A, A1, and A2.....	164
Alarm Codes C0,C1, and C2 .....	164

## ALARM NUMBERS AND BRIEF DESCRIPTIONS

.....	34, 124
Alarms Related to Pulsecoder and Separate Serial Detector .....	51, 142
ALLOWABLE RADIAL LOAD .....	185
An overshoot or hunting occurs.....	83

## <B>

### BATTERY FOR THE ABSOLUTE PULSECODER

.....	21, 112
-------	---------

## <C>

Check Procedure.....	14
Check Terminal on the Printed-circuit Board .....	77
Check terminal output signals.....	90
Checking Method when Magnetic Contactor Is not Switched On .....	80
Checking parameters.....	102
Checking Parameters Using the Spindle Check Board .	102
Checking the Feedback Signal Waveform .....	87
Checking the STATUS 2 Indicator.....	106
Checking the Voltage and Capacity of the Power.....	10, 72
COMMON TO SERVO AND SPINDLE UNITS .....	129
CONFIGURATIONS .....	4, 5, 66, 67
CONFIRMATION OF THE OPERATION.....	13, 74
Connecting a Protective Ground.....	10, 72
CONNECTING THE POWER.....	10, 72
Connector and STATUS LED Locations.....	75
Converter: Control Power Supply Undervoltage .....	40
Converter: DC Link Overvoltage.....	39
Converter: DC Link Undervoltage.....	39
Converter: Excessive Deceleration Power .....	39
Cutting power weakens or acceleration/deceleration slows down. ....	84

## <D>

DAILY INSPECTION OF AC SERVO MOTORS.....	173
Data numbers .....	99
Diagnosis Screen .....	47, 138

## <E>

Example of observing data.....	101, 105
External-Fan Motor .....	62

**<F>**

Feedback Disconnected Alarm ..... 49, 140  
 FOR Series 15i ..... 35  
 FOR Series 16i, 18i, 20i, 21i, 0i, AND Power Mate i .... 36  
 Fuse Locations ..... 59

**<H>**

HOW TO REPLACE THE FAN MOTOR ..... 60  
 HOW TO REPLACE THE FUSES AND PRINTED  
 CIRCUIT BOARDS ..... 56, 57, 166, 167

**<I>**

INITIALIZING PARAMETERS ..... 73  
 INITIALIZING PARAMETERS  
 (SWITCHES AND DUMMY CONNECTORS) ..... 11  
 INITIALIZING SETTINGS ..... 12  
 Internal-Fan Motor Replacement Procedure  
 for SVM1-40i and SVM1-80i ..... 61  
 Internal-Fan Motor Replacement Procedure  
 for SVM1-4i and SVM1-20i ..... 60  
 Invalid Servo Parameter Setting Alarm ..... 50, 141  
 Inverter: Cooling Fan Stopped of the Radiator ..... 41  
 Inverter: FSSB Communication Error ..... 44  
 Inverter: Internal Cooling Fan Stopped ..... 40  
 Inverter: IPM Alarm ..... 41  
 Inverter: IPM Alarm (OH) ..... 42  
 Inverter: Motor Current Alarm ..... 43

**<L>**

List of spindle data that can be observed using the SERVO  
 GUIDE ..... 103

**<M>**

MAINTENANCE PARTS ..... 184  
 Major characteristics ..... 92  
 MAJOR COMPONENTS ..... 7, 69  
 Method for Observing Motor Current ..... 17, 108  
 Mi and MZi sensors ..... 88

**<O>**

Observation method ..... 92  
 Observing Data Using the SERVO GUIDE ..... 103  
 Observing Data Using the Spindle Check Board ..... 92  
 Ordering Number of Printed Circuit Board ..... 59  
 Other Alarms ..... 54, 145  
 OUTLINE OF SVPM ..... 75  
 Overheat Alarm ..... 50, 141

Overload Alarm (Soft Thermal, OVC) ..... 48, 139

**<P>**

PERIODIC INSPECTION OF AC SERVO MOTORS 175  
 PERIODIC MAINTENANCE OF SERVO  
 AMPLIFIER ..... 20, 29  
 PERIODIC MAINTENANCE OF SVPM ..... 111, 119  
 PREVENTIVE MAINTENANCE ..... 182  
 Principles in outputting the internal data of the serial  
 spindle ..... 95

**<R>**

RECEIVING AND KEEPING AC SERVO  
 MOTORS ..... 172  
 REPLACING THE PULSECODER ..... 178

**<S>**

Selecting the Ground Fault Interrupter That Matches  
 the Leakage Current ..... 10, 72  
 Servo Adjustment Screen ..... 45, 137  
 Servo Alarm ..... 35, 36  
 SERVO ALARM ..... 125  
 SERVO AMPLIFIER MODULE ..... 14, 38  
 Servo Amplifier Modules ..... 7  
 SERVO MOTOR MAINTENANCE ..... 171  
 SERVO SOFTWARE ..... 45, 137  
 SERVO UNIT ..... 132  
 SPECIFICATION NUMBERS OF REPLACEMENT  
 PARTS ..... 180  
 Specifying data to be monitored ..... 93  
 SPINDLE ALARM ..... 126  
 Spindle Check Board ..... 89  
 Spindle check board connection ..... 89  
 Spindle check board specifications ..... 89  
 SPINDLE MOTOR MAINTENANCE ..... 181  
 SPINDLE UNIT ..... 147  
 START-UP PROCEDURE ..... 8, 70, 76  
 START-UP PROCEDURE (OVERVIEW) ..... 9, 71  
 STATUS 1 Indicator ..... 81  
 Status Error Indication Function ..... 85  
 STATUS2 Alarm Code - STATUS1 Alarm Code 04 ... 131  
 STATUS2 Alarm Code - STATUS1 Alarm Code 11 ... 131  
 STATUS2 Alarm Code - STATUS1 Alarm Code 30 ... 129  
 STATUS2 Alarm Code - STATUS1 Alarm Code 33 ... 130  
 STATUS2 Alarm Code - STATUS1 Alarm Code 51 ... 130  
 STATUS2 Alarm Code - STATUS1 Alarm Code 58 ... 129

STATUS2 Alarm Code - STATUS1 Alarm Code 59 ...	129
STATUS2 Alarm Code - STATUS1 Alarm Code b1 ...	130
STATUS2 Alarm Code 2.....	133
STATUS2 Alarm Code 5.....	133
STATUS2 Alarm Code 6.....	133
STATUS2 Alarm Code P .....	133
STATUS2 Alarm Code U.....	136
STATUS2 Alarm Codes 8., 9., and A.....	134
STATUS2 Alarm Codes b, c, and d.....	135
SVPM CONVERTER UNIT .....	77
SVPM SERVO UNIT.....	106
SVPM SPINDLE UNIT .....	81
<b>&lt;T&gt;</b>	
The LED (STATUS Indicator) Is Off.....	79
The motor does not turn.....	82
The STATUS 1 indicator is blinking with "--" .....	82
TROUBLESHOOTING AND ACTION .....	37, 128
Troubleshooting at Startup .....	82
<b>&lt;U&gt;</b>	
Usable series and editions.....	103
<b>&lt;V&gt;</b>	
VRDY-OFF Alarm Indicated on the CNC Screen..	16, 107
<b>&lt;W&gt;</b>	
When cutting is not performed, the spindle vibrates, making noise. ....	83
<b>&lt;<math>\beta</math>&gt;</b>	
$\beta$ i SVPM.....	69



Revision Record

FANUC AC SERVO MOTOR  $\beta$ is series, AC SPINDLE MOTOR  $\beta$ i series, SERVO AMPLIFIER  $\beta$ i series MAINTENANCE MANUAL (B-65325EN)

Edition	Date	Contents	Edition	Date	Contents
01	Sep., 2003	_____			

- *No part of this manual may be reproduced in any form.*
- *All specifications and designs are subject to change without notice.*